

NAME: _____

DATE: _____

EVENT: _____



CITY: _____ STATE: _____

TRACK: _____

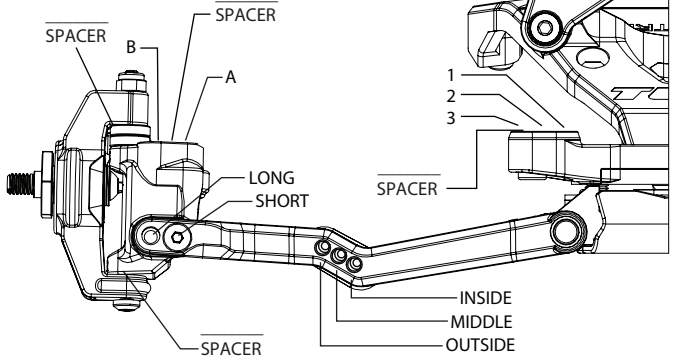
TRACK CONDITIONS Dirt Carpet Tight Smooth Hard Packed Dry Traction: Low Medium High
Clay Astrotruf Open Rough Loamy Wet Notes: _____

FRONT SUSPENSION

Toe: _____ Camber: _____
 Ride Height: _____ Caster Block: 0° 5°
 Kick Shim(s): 1mm 2mm Wedge (20°) _____
 VLA Setting: Short Arm Long Arm
 Front Pivot: Alum Composite Brass _____
 Pivot Height: SLRC LRC MRC HRC
 Piston: _____ Oil: _____
 Spring: _____ Sway Bar: _____
 Limiters - Internal: _____ External: _____ Stroke: _____
 Shock Eyelet: Std +2 Shock Location: _____
 Spindle Steering Arm: 4 5 6 _____
 Spindle Ball Stud: Std Low Spacers _____
 Draglink Ball Stud: Std Low Spacers _____
 Axle Spacing: 0 +0.5mm +1mm
 Trail: 2mm 3mm 4mm
 Camberlink - Inner: 1 2 3 Outer: A B
 Tower: Stiffezel Carbon Carbon+2mm _____
 Mud Guard: Soft Std Stiffezel
 Front Wheel: Std Stiffezel
 Front Wing: Low High Narrow High Wide

Stiffezel Parts

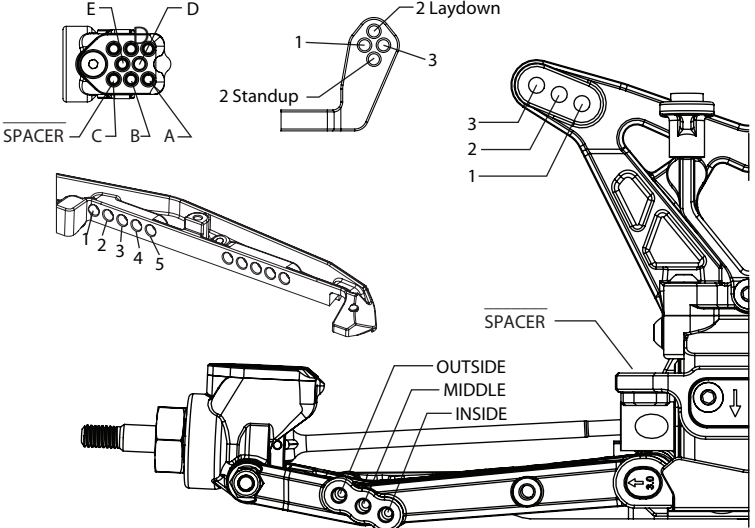
Front Arm Rear Arm
Chassis Brace / Waterfall



NOTES

REAR SUSPENSION

Configuration: Laydown Standup
 Diff. Height: 0 +1 +1.75 +2.5 +3.5
 Axle Height: 0 +3 _____
 Toe Plate: LRC LRC -2° HRC HRC -2°
 Toe Inserts: 2.5 3.0 3.5 4.0 Arrow In Out
 Anti-Squat Inserts: 0 0.5 1 1.5 2 2.5 3
 Ride Height: _____ Camber: _____
 Hub Spacing: _____ Fr _____ Rr Hex Width: _____
 Piston: _____ Oil: _____
 Spring: _____ Sway Bar: _____
 Limiters - Internal: _____ External: _____ Stroke: _____
 Shock Eyelet: Std +2 Shock Location: _____
 Shock Mounting: Front Rear
 Tower: Stiffezel Carbon Carbon+2mm _____
 Camber Block Spacer: 1mm ↓ 0mm 1mm ↑
 Camberlink - Inner: 1 2 3
 Camberlink - Outer: A B C D E
 Battery Position: 1 2 3 4 5 _____
 Wing/Wickerbill: _____
 Wing Angle: 0° 2° 4°
 Diff. Type: Ball Gear Setting: _____
 Driveshaft CVA Universal Length: _____
Direct Drive Slipper Pads: Torque (Yel) Drive (Org)



ELECTRONICS

Timing Advance: _____
 Radio: _____ Steering Expo: _____
 Servo: _____ Th/Brake EPA: _____
 ESC: _____ Motor: _____
 Initial Brake: _____ Pinion/Spur: _____
 Drag Brake: _____ Battery: _____
 Th Profile: _____ Battery Weight: _____

TIRES Front Rear

Thread: _____
 Compound: _____
 Insert: _____
 Sauce: _____
 Tread Level: Pin Ghost Pin Slicks

CHASSIS

Electronics Plate
Brass, 36g
Carbon

Battery Plate
19g 26g 37g _____

Rear Ballast
19g 26g

Anti-Squat Block
Brass, 22g
Aluminium

Total Weight: _____
 FR: _____ % RR: _____ %

NOTES