

**NAME:** \_\_\_\_\_ **DATE:** \_\_\_\_\_ **EVENT:** \_\_\_\_\_ **TRACK:** \_\_\_\_\_

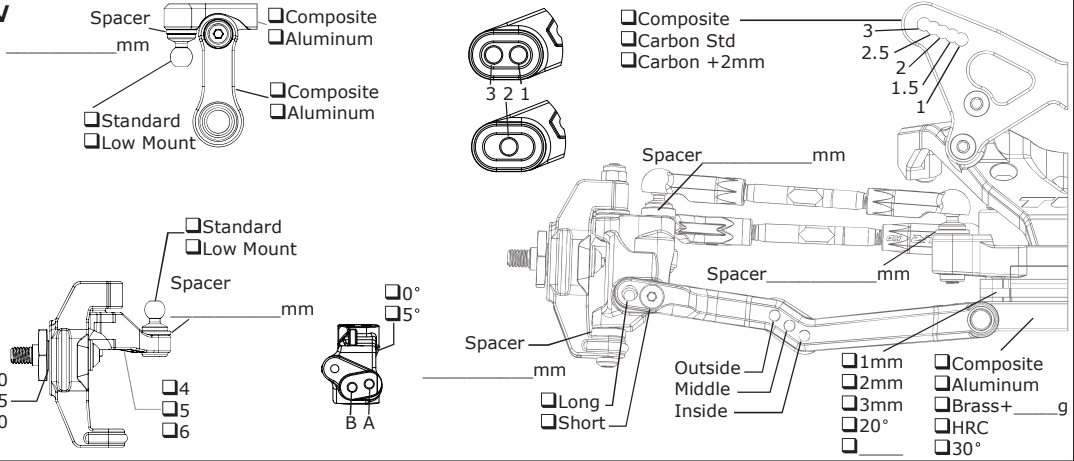
**TRACK CONDITIONS**

Indoor  Tight  Smooth  Hard Packed  Blue Groove  Dry  Low Bite  Med Bite  High Bite  
 Outdoor  Open  Rough  Loose/Loamy  \_\_\_\_\_  Wet  Dusty  \_\_\_\_\_

**FRONT SUSPENSION**

Ride Height	mm
Camber	°
Toe	°
Sway Bar	mm

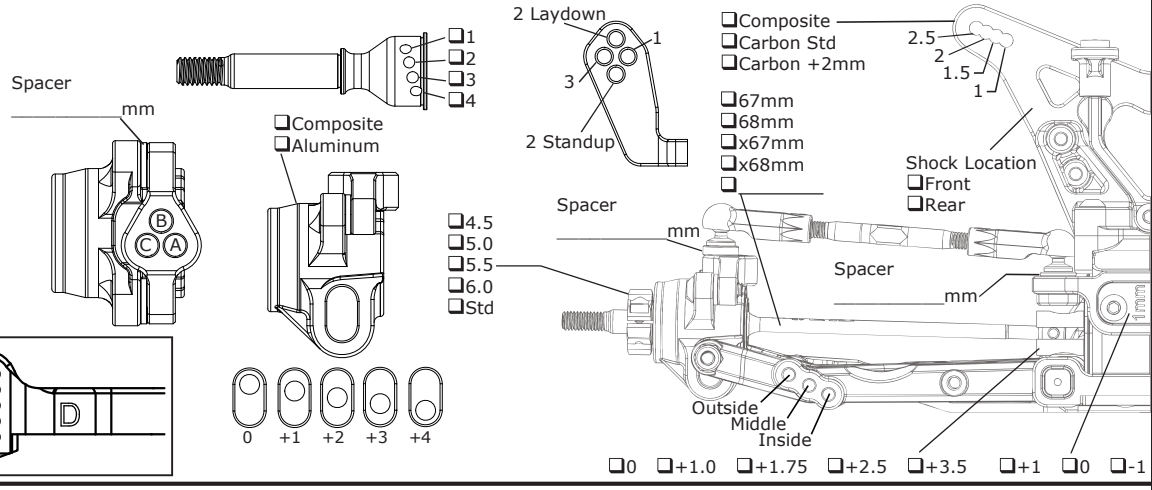
**Notes**



**REAR SUSPENSION**

Ride Height	mm
Camber	°
Sway Bar	mm

**Notes**



**CHASSIS**

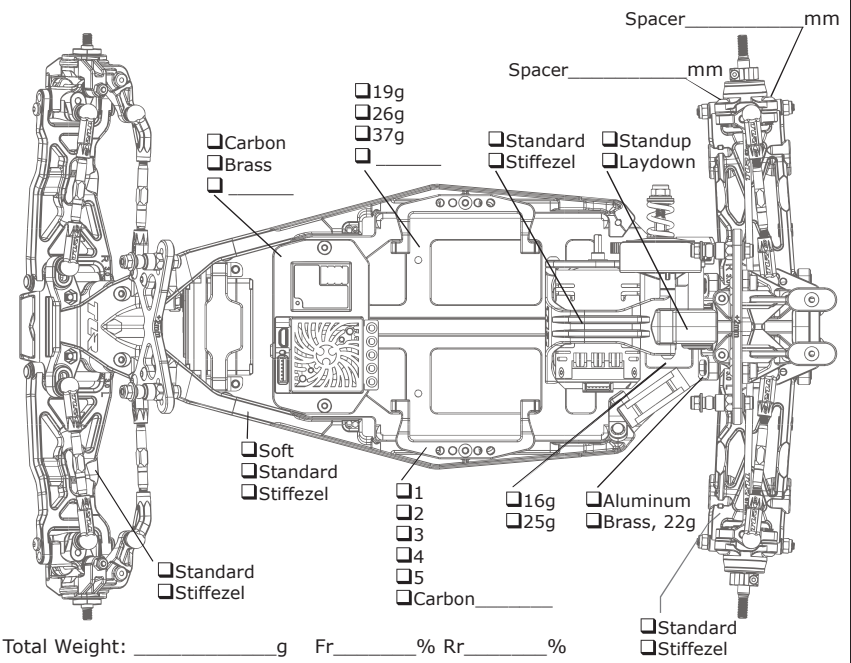
<b>DRIVETRAIN</b>	
Differential Type	<input type="checkbox"/> Ball <input type="checkbox"/> Gear
Setting/Fluid	
Internal Gears	<input type="checkbox"/> Steel <input type="checkbox"/> Composite
Planetary Gears	<input type="checkbox"/> 2 <input type="checkbox"/> 4
Slipper	<input type="checkbox"/> Slipper <input type="checkbox"/> Direct Drive
Slipper Pads	<input type="checkbox"/> Torque/Yellow <input type="checkbox"/> Drive/Orange

<b>AERODYNAMICS</b>	
Body	
Fr Wing	
Rr Wing	
Wicker	
Angle	°
Notes	

<b>TIRES</b>	Front	Rear
Tires		
Compound		
Insert		
Additive		
Wheel		
Notes		

<b>SHOCKS</b>	Front	Rear
Shock Cap		
Oil		
Piston	<input type="checkbox"/> Thin	<input type="checkbox"/> Thin
Spring		
Limiter Int	mm	mm
Shaft Diam	<input type="checkbox"/> 3.0mm <input type="checkbox"/> 3.5mm	<input type="checkbox"/> 3.0mm <input type="checkbox"/> 3.5mm
Limiter Out	mm	mm
Stroke	mm	mm
Eyelet	<input type="checkbox"/> Std <input type="checkbox"/> +2mm	<input type="checkbox"/> Std <input type="checkbox"/> +2mm
Spring Cup	<input type="checkbox"/> Low <input type="checkbox"/> Mid <input type="checkbox"/> High	<input type="checkbox"/> Low <input type="checkbox"/> Mid <input type="checkbox"/> High
Notes		

<b>ELECTRONICS</b>	
Radio	ESC
Servo	Th Prof
Battery	Timing
Battery Wt	g Initial Brake
Motor	Drag Brake
Ratio	/ Th/Bra EPA /



Total Weight: \_\_\_\_\_ g Fr \_\_\_\_\_ % Rr \_\_\_\_\_ %