

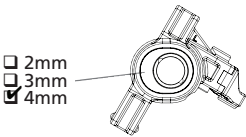
Track Conditions

<input checked="" type="checkbox"/> Indoor	<input checked="" type="checkbox"/> Clay	<input type="checkbox"/> Carpet	<input checked="" type="checkbox"/> Tight	<input checked="" type="checkbox"/> Smooth	<input checked="" type="checkbox"/> Hard Packed	<input type="checkbox"/> Blue Groove	<input type="checkbox"/> Wet	Bite: <input type="checkbox"/> Low <input type="checkbox"/> Med <input checked="" type="checkbox"/> High	Other: Sealed clay, carpet jumps
<input type="checkbox"/> Outdoor	<input type="checkbox"/> Dirt	<input type="checkbox"/> Astro	<input type="checkbox"/> Open	<input type="checkbox"/> Rough	<input type="checkbox"/> Loose/Loamy	<input type="checkbox"/> Dry	<input type="checkbox"/> Dusty	Tread: <input type="checkbox"/> Pin <input type="checkbox"/> Ghost <input checked="" type="checkbox"/> Slicks	

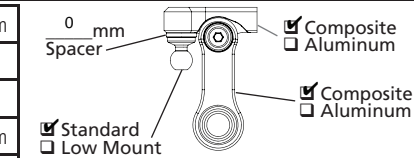
Front Suspension

Ride Height	19	mm
Camber	2	°
Toe	0	°
Sway Bar	1.0	mm

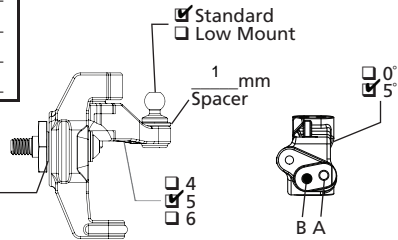
Notes: Running sway bars allows you the ability to run softer springs and lower roll center on high-bite tracks. Getting front roll center correct is very important. Steering at 80% speed in radio.



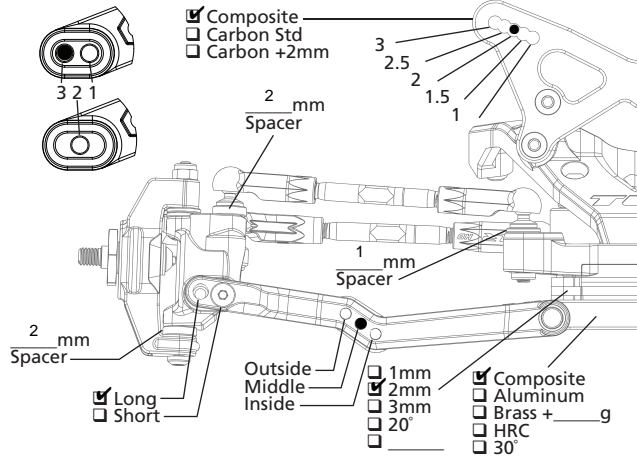
- 2mm
- 3mm
- 4mm



- Composite
- Aluminum
- Standard
- Low Mount



- Standard
- Low Mount
- 1 mm Spacer
- 0°
- 5°

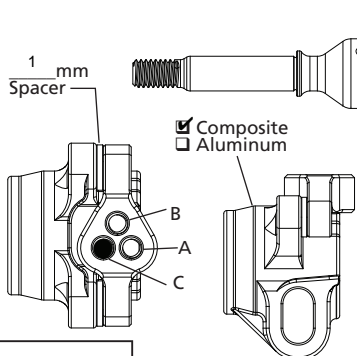
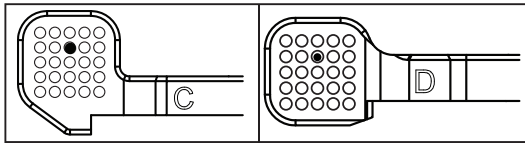


- Composite
- Carbon Std
- Carbon +2mm
- 2 mm Spacer
- 3
- 2.5
- 2
- 1.5
- 1
- 1 mm Spacer
- 2 mm Spacer
- Long
- Short
- Outside Middle Inside
- 1mm
- 2mm
- 3mm
- 20°
- Composite
- Aluminum
- Brass + g
- HRC
- 30°

Rear Suspension

Ride Height	20	mm
Camber	1	°
Sway Bar	.8	mm

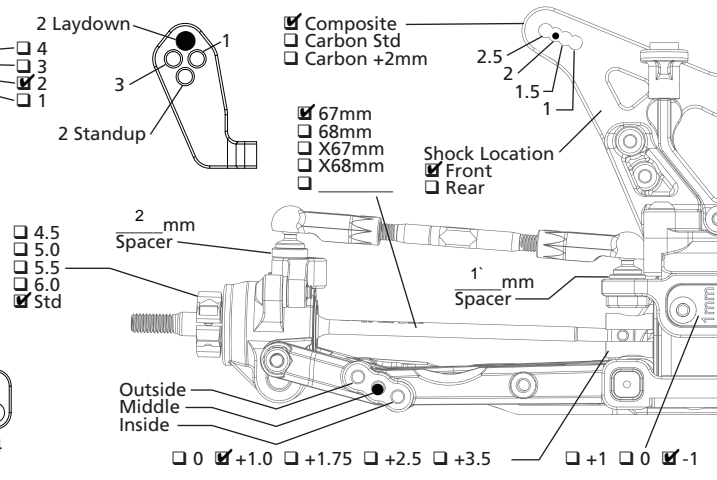
Notes: Raise differential and idler to 1-up setting. Rear hubs could be raised to +1 setting as well. Using Avid Triad slipper, 2 white, 1 red pad



- Composite
- Aluminum

- 4.5
- 5.0
- 5.5
- 6.0
- Std

- 0
- +1
- +2
- +3
- +4



- Composite
- Carbon Std
- Carbon +2mm
- 2 Laydown
- 1
- 3
- 2 Standup
- 67mm
- 68mm
- X67mm
- X68mm
- Shock Location
- Front
- Rear
- 2.5
- 2
- 1.5
- 1
- 2 mm Spacer
- 1 mm Spacer
- Outside Middle Inside
- 0
- +1.0
- +1.75
- +2.5
- +3.5
- +1
- 0
- 1

Chassis

Drive Train	
Diff Type	<input checked="" type="checkbox"/> Ball Diff <input type="checkbox"/> Gear Diff
Setting/Fluid	
Internal Gears	<input checked="" type="checkbox"/> Steel <input type="checkbox"/> Composite
Planet Gears	<input type="checkbox"/> 2 <input checked="" type="checkbox"/> 4
Slipper	<input checked="" type="checkbox"/> Slipper <input type="checkbox"/> Direct Drive
Slipper Pads	<input type="checkbox"/> Torque/Yellow <input type="checkbox"/> Drive/Orange

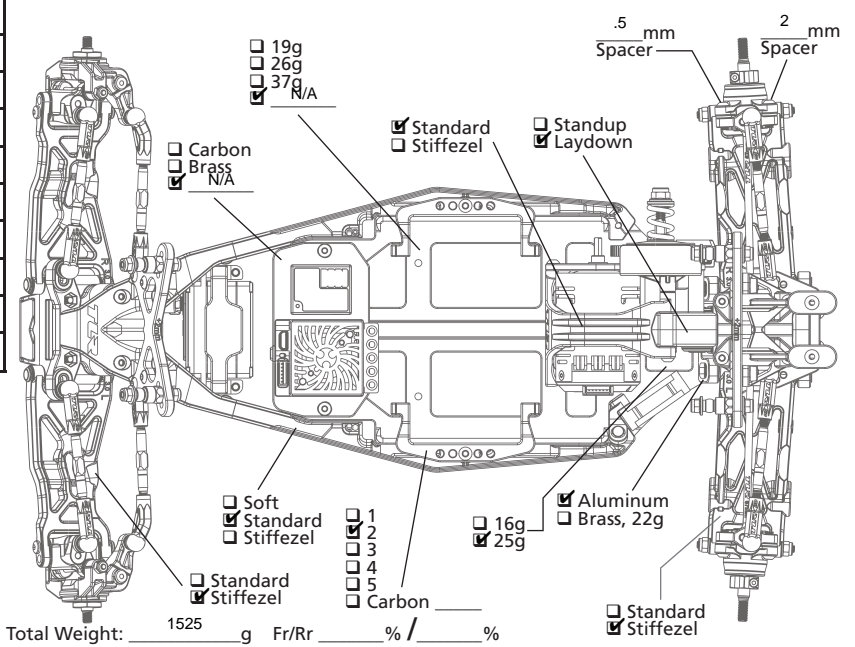
Aerodynamics	
Body	JConcepts P2
Fr Wing	JC Aero Narrow
Rr Wing	Stock TLR
Wicker	50%
Angle	4 °
Notes	

Tires		
	Front	Rear
Brand	AKA	AKA
Tread	EVO Slicks	EVO Slicks
Compound	Purple (Clay)	Purple (Clay)
Insert	Black CC	Black CC
Sauce	SXT Baja	SXT Baja
Wheel	<input type="checkbox"/> Standard <input type="checkbox"/> Stiffezel	
Notes	White Wheels (Faster)	White Wheels (Faster)

Shocks

	Front	Rear
Shock Caps	Stock	Stock
Oil	35	30
Piston	2 x 1.6 <input type="checkbox"/> Thin	2 X 1.7 <input type="checkbox"/> Thin
Limiters, Int	2 mm	0 mm
Shaft Dia	<input type="checkbox"/> 3.0mm <input type="checkbox"/> 3.5mm	<input type="checkbox"/> 3.0mm <input type="checkbox"/> 3.5mm
Limiters, Ext	0 mm	0 mm
Stroke	Stock mm	Stock mm
Eyelet	<input checked="" type="checkbox"/> Std <input type="checkbox"/> +2mm	<input checked="" type="checkbox"/> Std <input type="checkbox"/> +2mm
Spring	Blue	White
Spring Cup	<input type="checkbox"/> Low <input checked="" type="checkbox"/> Mid <input type="checkbox"/> High	<input checked="" type="checkbox"/> Low <input type="checkbox"/> Mid <input type="checkbox"/> High

Electronics			
Radio	Spektrum DX6R	ESC	HW XR10 Stock Spec
Servo	Spektrum 6240RX	Thro Prof	
Battery	Spektrum Smart 5000	Timing Adv	
Battery Wt	g	Initial Brake	0
Motor	Orion 17.5 Ultimate Stock	Drag Brake	0
Gearing	26 / 72	Thr/Bra EPA	100 / 80



- 19g
- 26g
- 37g
- N/A
- Carbon
- Brass
- N/A
- Standard
- Stiffezel
- Standup
- Laydown
- 16g
- 25g
- Aluminum
- Brass, 22g
- 1
- 2
- 3
- 4
- 5
- Carbon
- Standard
- Stiffezel
- 0.5 mm Spacer
- 2 mm Spacer
- Total Weight: 1525 g
- Fr/Rr % / %