

LAZER ZX-5 FS² SETTING SHEET



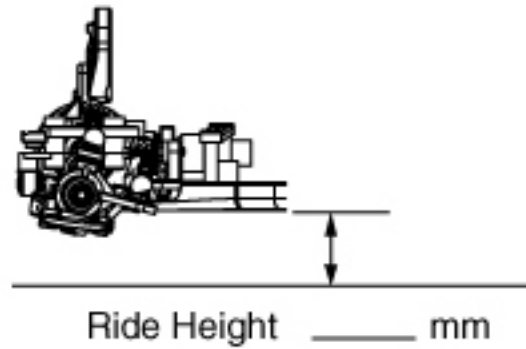
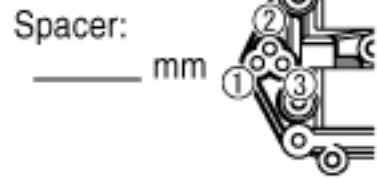
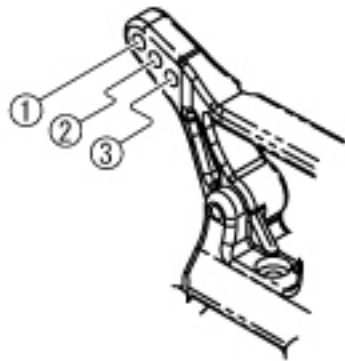
Name _____

Date _____

Truck _____

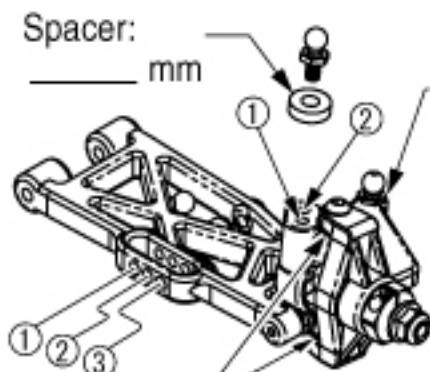
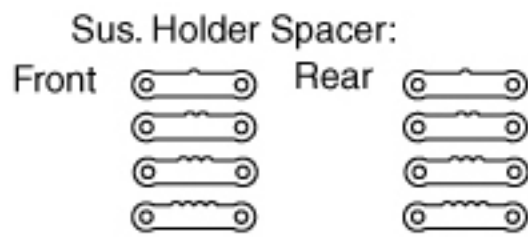
Event _____

Front Suspension



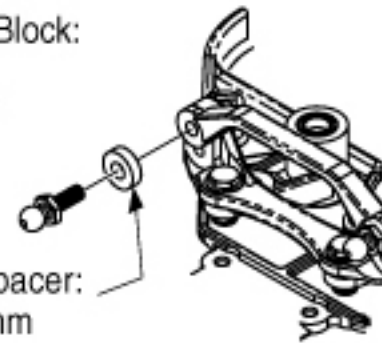
Camber Angle: _____ °
 Toe Angle: _____ °
 Sway Bar: _____

Front Diff:
 Rigid
 Oneway
 Differential, Setting: _____



Bump Steer Spacer: _____ mm

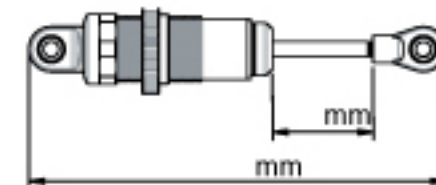
Caster Block:
 7°
 10°



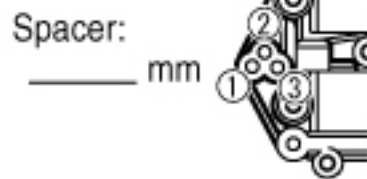
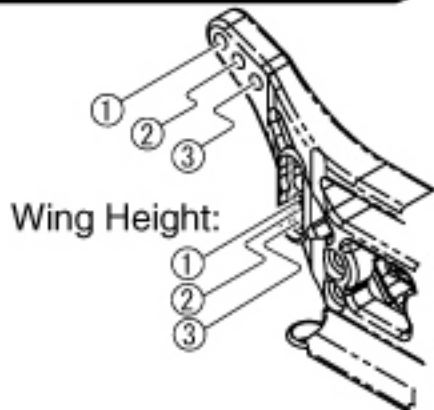
Axle-Height Spacer:
 Up
 Down

Bellcrank Spacer: _____ mm

Shock Piston: _____
 Shock Oil: # _____
 Shock Spring: # _____



Rear Suspension



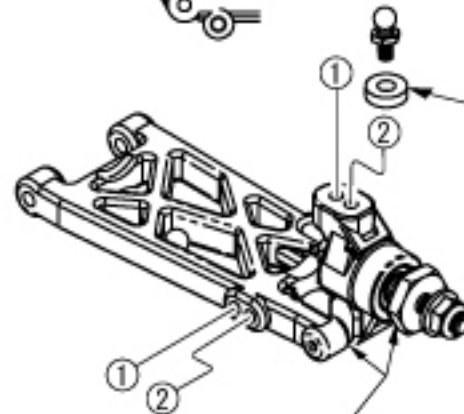
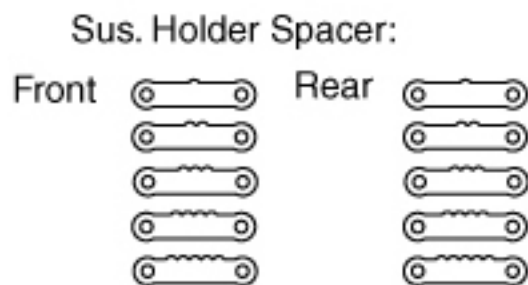
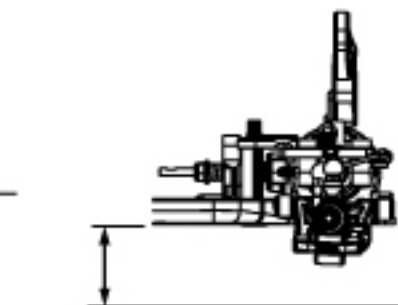
Camber Angle: _____ °
 Sway Bar: _____

Sus. Holder(RF):
 Standard
 LAW36

IN OUT _____

Sus. Holder(RR):
 Standard
 LAW37

IN OUT _____



Spacer: _____ mm

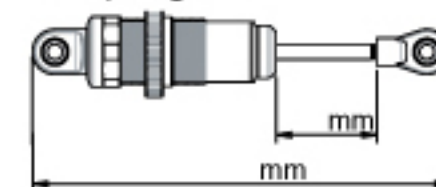
Rear Sus. Arm:
 Standard
 UM521

Notes: _____

Hub Spacer:
 F: _____ mm
 R: _____ mm

Wheel Spacer: _____ mm

Shock Piston: _____
 Shock Oil: # _____
 Shock Spring: # _____



Tire

Front Tire: _____ Compound: _____
 Rear Tire: _____
 Front Inserts: _____
 Rear Inserts: _____

Others

Motor: _____
 Pinion/Spur: _____ / _____
 Wing: _____
 Wing Angle: 0° 7°
 4°

Slipper Type:

Direct
 Separates

Slipper Sheet(F-R):

Red-White
 Red-Red
 White-White

Truck Condition

Smooth Dry
 Bumpy Wet
 Low Truction Dusty
 Med. Truction Indoor
 Higt Truction Outdoor

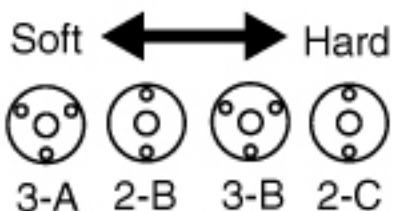
Spring Rate

#50	Black	#68	Blue
#55	Orange	#70	Silver
#60	Orange Yellow	#72	Cobalt Blue
#65	Yellow	#75	Light Green

Gear Ratio

		Secondary Gear Ratio 2.5 (16:40)									
		16	17	18	19	20	21	22	23	24	25
76		11.18	10.56	10.00	9.50	9.05	8.64	8.26	7.92	7.60	
78		12.19	11.47	10.83	10.26	9.75	9.29	8.86	8.48	8.13	7.80

Shock Piston



Sway Bar

1.0	Nickel
1.1	Gold
1.2	Silver
1.3	Copper
1.4	Black
1.5	Golden
1.6	Chromium

ESC&Battery

ESC: _____
 ESC Setting: _____

Battery: _____

Battery Position:

Front
 Rear

Comments

