

LAZER ZX-5 FS² SETTING SHEET



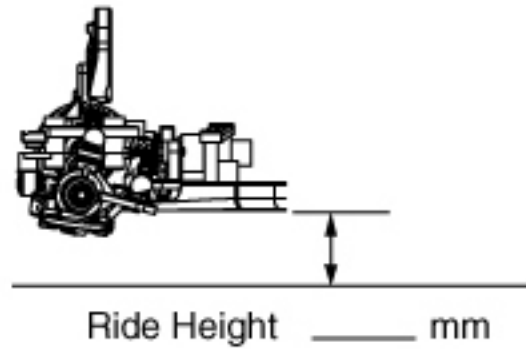
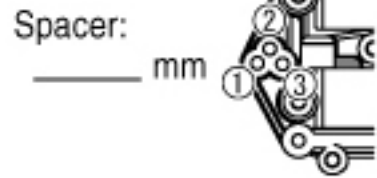
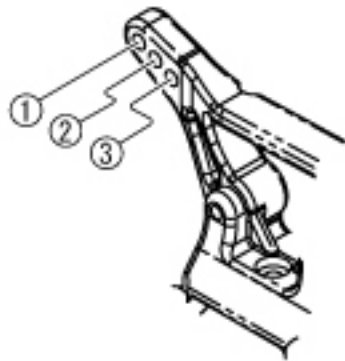
Name _____

Date _____

Truck _____

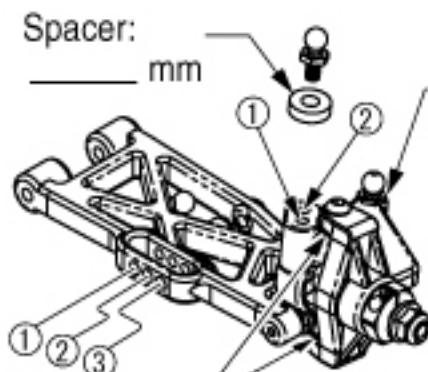
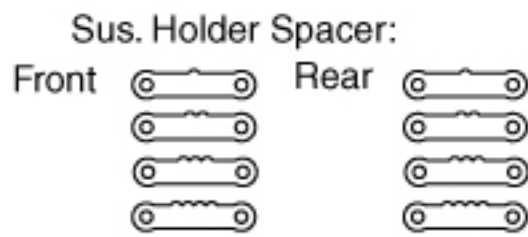
Event _____

Front Suspension



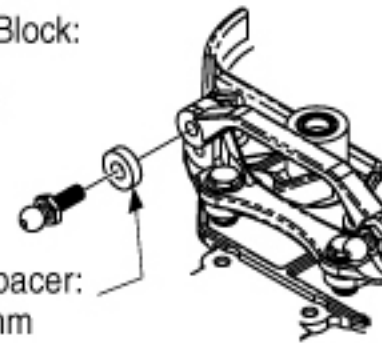
Camber Angle: _____ °
 Toe Angle: _____ °
 Sway Bar: _____

Front Diff:
 Rigid
 Oneway
 Differential, Setting: _____



Bump Steer Spacer: _____ mm

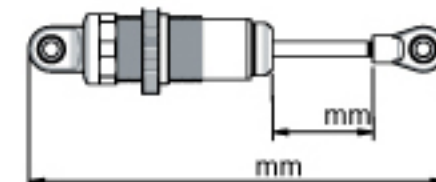
Caster Block:
 7°
 10°



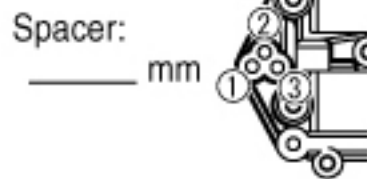
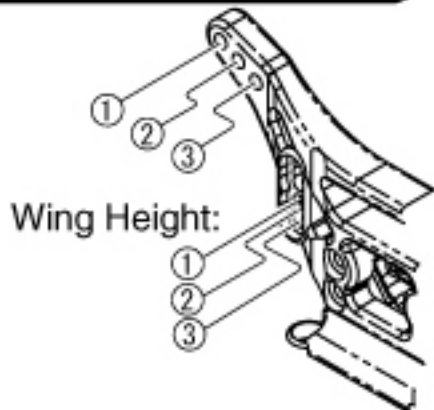
Axle-Height Spacer:
 Up
 Down

Bellcrank Spacer: _____ mm

Shock Piston: _____
 Shock Oil: # _____
 Shock Spring: # _____



Rear Suspension



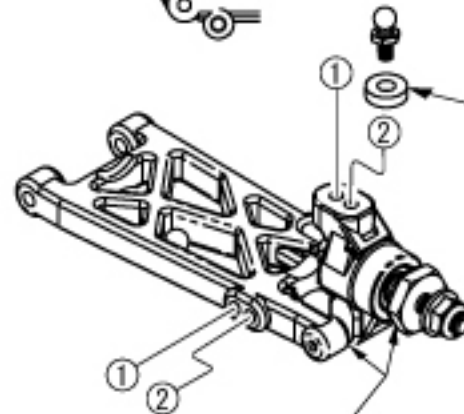
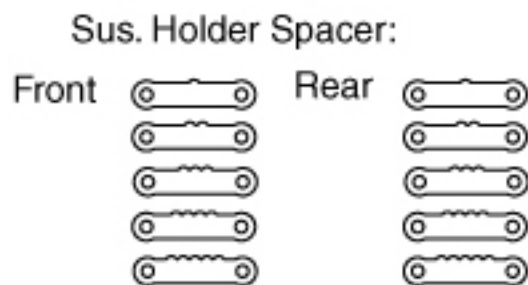
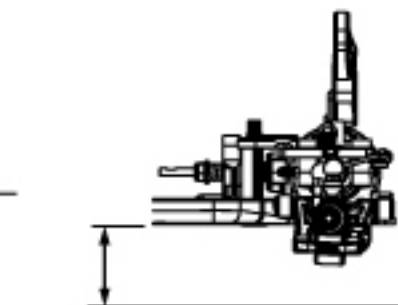
Camber Angle: _____ °
 Sway Bar: _____

Sus. Holder(RF):
 Standard
 LAW36

IN OUT _____

Sus. Holder(RR):
 Standard
 LAW37

IN OUT _____



Spacer: _____ mm

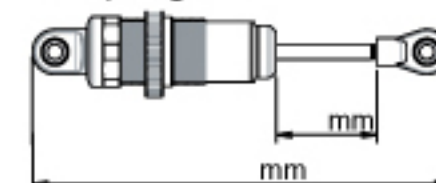
Rear Sus. Arm:
 Standard
 UM521

Notes: _____

Hub Spacer:
 F: _____ mm
 R: _____ mm

Wheel Spacer: _____ mm

Shock Piston: _____
 Shock Oil: # _____
 Shock Spring: # _____



Tire

Front Tire: _____ Compound: _____
 Rear Tire: _____
 Front Inserts: _____
 Rear Inserts: _____

Others

Motor: _____
 Pinion/Spur: _____ / _____
 Wing: _____
 Wing Angle: 0° 7°
 4°

Slipper Type:

Direct
 Separates

Slipper Sheet(F-R):

Red-White
 Red-Red
 White-White

Truck Condition

Smooth Dry
 Bumpy Wet
 Low Truction Dusty
 Med. Truction Indoor
 Higt Truction Outdoor

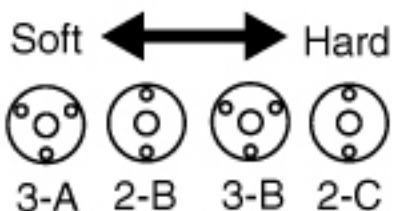
Spring Rate

| | | | |
|-----|---------------|-----|-------------|
| #50 | Black | #68 | Blue |
| #55 | Orange | #70 | Silver |
| #60 | Orange Yellow | #72 | Cobalt Blue |
| #65 | Yellow | #75 | Light Green |

Gear Ratio

| | | Secondary Gear Ratio 2.5 (16:40) | | | | | | | | | |
|----|--|----------------------------------|-------|-------|-------|------|------|------|------|------|------|
| | | 16 | 17 | 18 | 19 | 20 | 21 | 22 | 23 | 24 | 25 |
| 76 | | 11.18 | 10.56 | 10.00 | 9.50 | 9.05 | 8.64 | 8.26 | 7.92 | 7.60 | |
| 78 | | 12.19 | 11.47 | 10.83 | 10.26 | 9.75 | 9.29 | 8.86 | 8.48 | 8.13 | 7.80 |

Shock Piston



Sway Bar

| | |
|-----|----------|
| 1.0 | Nickel |
| 1.1 | Gold |
| 1.2 | Silver |
| 1.3 | Copper |
| 1.4 | Black |
| 1.5 | Golden |
| 1.6 | Chromium |

ESC&Battery

ESC: _____
 ESC Setting: _____

Battery: _____

Battery Position:

Front
 Rear

Comments

