

Name GIORDANENGO LAURENT Date 12 13 JUN 2010 Track / City PAU Event FRENCH CHAMP

### Front Suspension

Upper Spacer 0 mm

Ackerman Spacer 0 mm

Camber 0.5 °

Bumpsteer Spacer 0 mm

Toe  In  Out 0 °

Caster  25°  30°

Pivot Spacer  0.5  1.0  None

Axle Height  Up  Down

Comments: *short cups spring side*

### Rear Suspension

Upper Spacer 2 mm

Camber 0.5 °

Hub Spacer 3 mm

Wheel Spacer      mm

Anti-Squat 3 °

Sway Bar  None       mm

Hub Toe  0°(Standard)  0.5°(Optional)

Ballstud Location: Stock  UMW516  0°  0.5°  1°

Wheelbase  Short  Middle  Long

Comments: *short cups spring side*

### Shocks

	Front	Rear
Piston	<u>3B</u>	<u>3B</u>
Oil Weight	<u>35</u>	<u>25</u>
Spring	<u>65</u>	<u>60</u>
Limiters	<u>0</u>	<u>0</u>
Shock Length	<u>    </u> mm	<u>    </u> mm

Front / unscrew 1.5 turn

### Body / Wing / Chassis

Body 1 concept

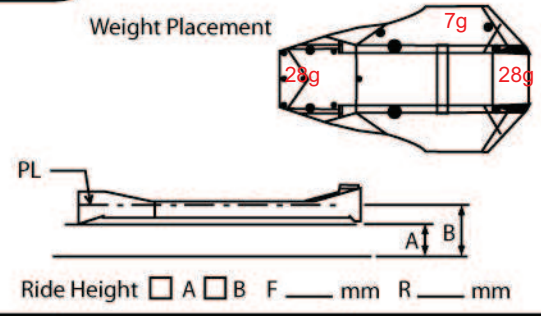
Wing     

Wing Angle  4°  7°  10°

Battery Placement  Front  Rear

Front / Arm level  
Rear / Just Below bones

### Weight Placement



### Tires

	Front	Rear
Tire	<u>Proline 8095</u>	<u>BOW TIE</u>
Inserts	<u>Stk</u>	<u>Stk</u>
Wheel	<u>    </u>	<u>    </u>
Traction Compound	<u>    </u>	<u>    </u>

### Other

Motor Team Ptit YO 7.5

Pinion / Spur 20 / 81

Battery ORION 5000 45C

ESC Speed P GT2.0 PRO

### Track Conditions

- |   |   |                                      |
|---|---|--------------------------------------|
| <input checked="" type="checkbox"/> Smooth        | <input checked="" type="checkbox"/> Wet | <input type="checkbox"/> Blue Groove |
| <input type="checkbox"/> Bumpy                    | <input checked="" type="checkbox"/> Dry | <input type="checkbox"/> Clay        |
| <input checked="" type="checkbox"/> Low Traction  | <input type="checkbox"/> Sandy          | <input type="checkbox"/> Dusty       |
| <input checked="" type="checkbox"/> Med. Traction | <input type="checkbox"/> Soft Dirt      | <input type="checkbox"/> Other       |
| <input type="checkbox"/> High Traction            | <input type="checkbox"/> Grass          | <u>    </u>                          |

Comments: \_\_\_\_\_