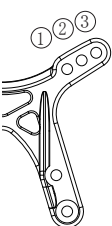


Name _____	Date _____	Track / City _____	Event _____
------------	------------	--------------------	-------------

Front Suspension



Upper Spacer: _____ mm

4.8mm Ball Stud: Camber: _____ °

UM128 (Std) UMW508 (+2mm High Mount)

4.8mm Ball Stud Spacer: _____ mm

Toe: In Out _____ °

Tie Rod: _____

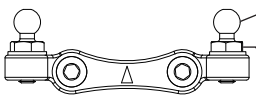
Front Bulkhead Weight Placement:

None *1oz=28g A (UM502) B (UM721/Std) C (UM567)

Bulkhead Inside _____ oz _____ g

On the skid plate _____ oz _____ g

Comments: _____



Axle Spacer: _____ mm

Out _____ mm

In _____ mm

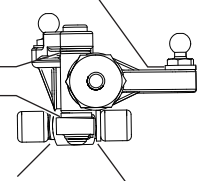
Wheel Hub: _____ mm

Caster Block position: _____

Axle Height Spacer: _____ mm

Ackerman Steer Spacer: _____ mm

Bump Steer Spacer: _____ mm



Wheelbase: F: _____ mm R: _____ mm

Caster: _____ °

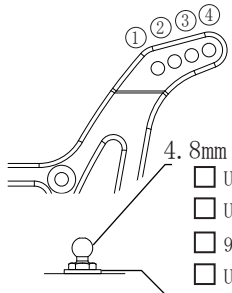
25° Spacer: _____

30° 0.5 1.0 None 0° 2° 4°

Caster Block: IN (wide/Std) OUT (Narrow)

Front Axle: UM569 (RB6) UM506 (RB5)

Rear Suspension



RR: _____

Mid: _____

Sus Holder Spacer:

F 0.5 R 0.5

1.0 1.0

None None

Anti-Squat: _____ °

4.8mm Ball Stud: Sway Bar: None _____ mm

UM129 UMW508 (+2mm High Mount)

97050M UM128 (Std)

Upper Spacer: _____ mm

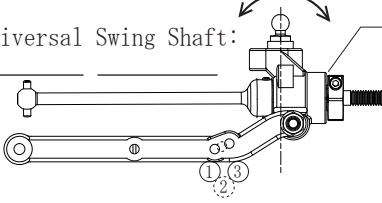
Lower Sus Holder:

Normal Aluminum (Opt)

Narrow RF UMW511+UMW512 RM UMW705+UMW706:

Wide RF2 UMW514+UMW515 MM UMW705+UMW707:

Comments: _____



Universal Swing Shaft:

Axle Spacer: _____ mm

Out _____ mm

In _____ mm

Arm: UM713 UM521

UM566 UM521-1

UM503

Upper Spacer: _____ mm

Wheelbase: F: _____ mm R: _____ mm

Rear Hub Toe: 0° UM519

0.5° UM519-2

1° Alu (UMW516)

Alu (UMW704)

Motor Position

Rear Motor

Midship Motor

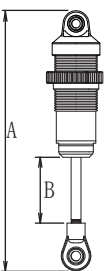
Diff.

Gear Diff. # _____

Ball Diff.

Shock


Shock Piston:	Front	Rear
Shock Oil:	# _____	# _____
Shock Spring:	_____	_____
Limiters:	in _____ mm out _____ mm	in _____ mm out _____ mm
Shock Length(A):	_____ mm	_____ mm
Shock Length(B):	_____ mm	_____ mm
O-ring:	_____	_____
Ball End type Front:	S <input type="checkbox"/> M <input type="checkbox"/> L <input type="checkbox"/>	
Rear:	S <input type="checkbox"/> M <input type="checkbox"/> L <input type="checkbox"/>	



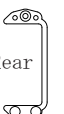
Battery Placement

None Screw

Comment: _____



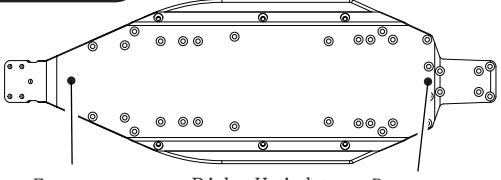
Front



Rear

Foam: Front Rear None

Chassis



F _____ mm Ride Height R _____ mm

Battery Type

Straight

Separate

Short

Type: _____

Other

Motor: _____

ESC: _____

Pinion/Spur: _____

Track Condition

<input type="checkbox"/> Smooth	<input type="checkbox"/> Sandy
<input type="checkbox"/> Bumpy	<input type="checkbox"/> Soft Dirt
<input type="checkbox"/> Low Traction	<input type="checkbox"/> Grass
<input type="checkbox"/> Med. Traction	<input type="checkbox"/> BlueGroove
<input type="checkbox"/> High Traction	<input type="checkbox"/> Clay
<input type="checkbox"/> Wet	<input type="checkbox"/> Dusty
<input type="checkbox"/> Dry	<input type="checkbox"/> _____

Wing

Blast-S Narrow

Blast-L Wide

Step-S

Step-M Wing Angle: _____ °

Step-L 4°

Step 2.0 7°

_____ 10°

Lip: _____

Tire	Tire	Compound	Insert	Wheel
Front: _____	_____	_____	_____	_____
Rear: _____	_____	_____	_____	_____
Comment: _____				
Comment: _____				