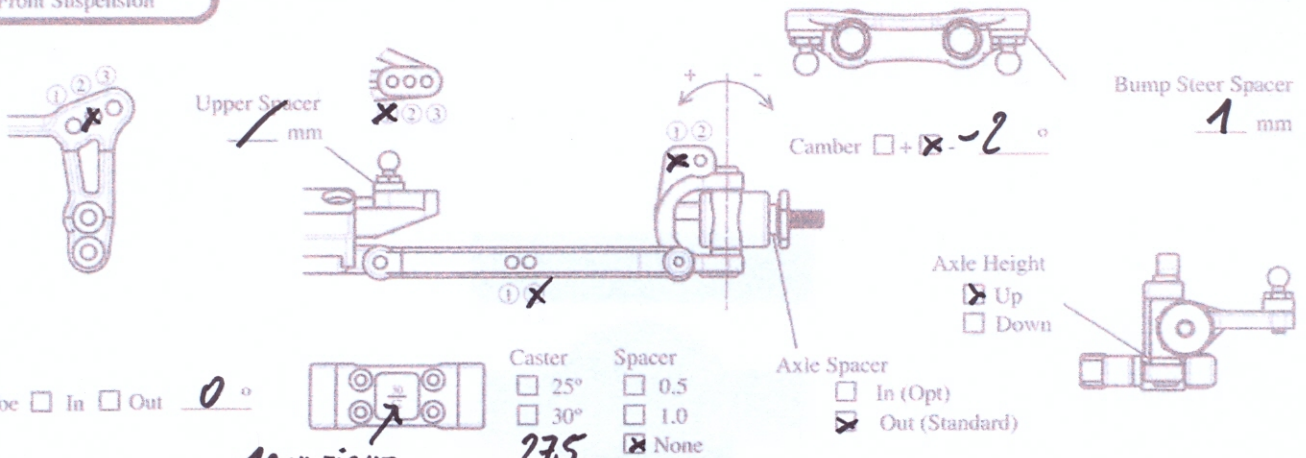
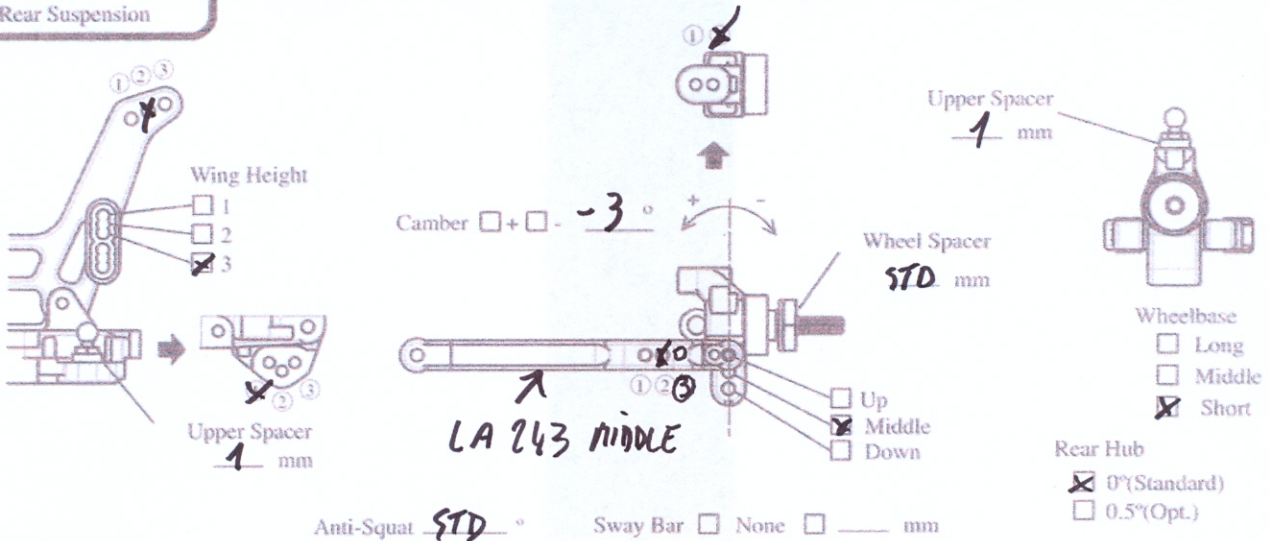


Name COLLET ARNAUD Date 9/03/08 Truck / City NEUVILLE 1<sup>CF</sup> Event CF

### Front Suspension

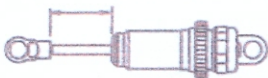


### Rear Suspension



### Shock

	Front	Rear
Shock Piston	<u>2-C</u>	<u>3-B</u>
Shock Oil	<u>#500</u>	<u>#400</u>
Shock Spring	<u>SILVER</u>	<u>SILVER</u>
Limiters	<u>0,62</u>	<u>/</u>
Shock Length	mm	mm



### Body / Wing / Chassis

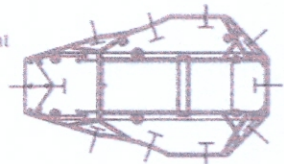
Body STD

Wing AZARASHI

Wing Angle  4°  7°  10°

Battery Placement  Front  Rear  MIDDLE

### Weight Placement



### Tire

	Front	Rear
Tire	<u>SCHUM: MINI SPIKE</u>	<u>MINI PIN</u>
Inserts	<u>LOSI</u>	<u>LOSI</u>
Wheel	<u>/</u>	<u>/</u>
Traction Compound	<u>YELLOW</u>	<u>YELLOW</u>

### Others

358

Motor TEKIN REDUNE

Pinion/Spur 17 / 78

Battery 1B 4600 CORALLY

ESC TEKIN R1 PRO

### Truck Condition

- |   |                                    |                                      |
|---|------------------------------------|--------------------------------------|
| <input type="checkbox"/> Smooth                   | <input type="checkbox"/> Wet       | <input type="checkbox"/> Blue Groove |
| <input type="checkbox"/> Bumpy                    | <input type="checkbox"/> Dry       | <input type="checkbox"/> Clay        |
| <input type="checkbox"/> Low Traction             | <input type="checkbox"/> Sandy     | <input type="checkbox"/> Dusty       |
| <input type="checkbox"/> Med. Traction            | <input type="checkbox"/> Soft Dirt | <input type="checkbox"/> Other       |
| <input checked="" type="checkbox"/> High Traction | <input type="checkbox"/> Grass     | <u>CARPET</u>                        |

Comment: SPONSOR: TEAM TEKIN / KYOSHO EUROPE / CORALLY / SMS / PETIT RC