

Driver		Date		Track		Event		Spur Gear		Pinion Gear	
								<input type="checkbox"/> 45T <input type="checkbox"/> 46T <input type="checkbox"/> 47T <input type="checkbox"/> 48T		T	
		Condition :									
Motor		Battery		ESC		Tires		Tire Insert		Wheel	
						Compound :					

### ● Diff. Gear Set-Up

	Front		Center		Rear	
	<input type="checkbox"/> 10/20	<input type="checkbox"/> 12/18	<input type="checkbox"/> LSD	<input type="checkbox"/> 10/20	<input type="checkbox"/> 12/18	<input type="checkbox"/> LSD
Diff. Gear	Ring Gear <input type="checkbox"/> 43/13 <input type="checkbox"/> 42/12	#	Diff. Size <input type="checkbox"/> Small <input type="checkbox"/> Large	#	Ring Gear <input type="checkbox"/> 43/13 <input type="checkbox"/> 42/12	#

### ● Shock Set-Up

	Front		Rear	
Shock Type	P : w/Diaphragm A : Aeration		Size - type	Size - type
Shock Piston	B : Black W : White T : Taper		$\varphi$ x	$\varphi$ x
Shock Oil	#		#	#
Shock Spring				

### ● Ride Height

Front	Rear
mm	mm

### ● Rebound

Front	Rear
mm	mm

### ● Camber Angle

Front	Rear
+ ° - °	+ ° - °

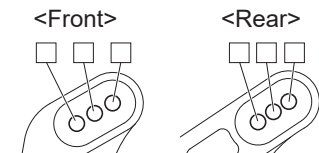
### ● Toe Angle

Front	Rear
+ ° - °	<input type="checkbox"/> 2.5° <input type="checkbox"/> 3° <input type="checkbox"/> 3.5°

### ● Wheelbase

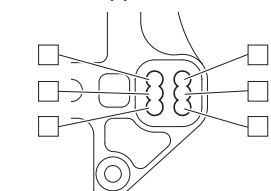
Collar of Rear Hub	Front Side _____ mm
	Rear Side _____ mm

### ● Shock Mount Position



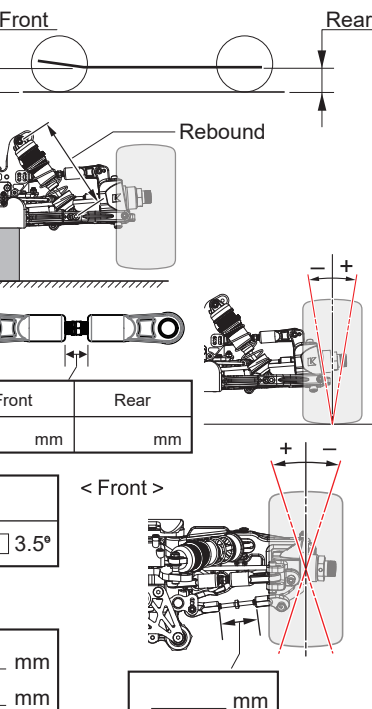
Sus. Arm	Front	Rear
	<input type="checkbox"/> In <input type="checkbox"/> Out	<input type="checkbox"/> In <input type="checkbox"/> Out

### ● Rear Upper Arm Position



### ● Rear Wheel Hub

<input type="checkbox"/> Narrow <input type="checkbox"/> Std. <input type="checkbox"/> Wide
---



Shock Stay	
Front	<input type="checkbox"/> Short <input type="checkbox"/> Long <input type="checkbox"/> Alu <input type="checkbox"/> Carbon
Rear	<input type="checkbox"/> Short <input type="checkbox"/> Long <input type="checkbox"/> Alu <input type="checkbox"/> Carbon
Shock Bush	
Front	<input type="checkbox"/> Short <input type="checkbox"/> Std.
Rear	<input type="checkbox"/> Short <input type="checkbox"/> Std. <input type="checkbox"/> Long

<input type="checkbox"/> Plastic <input type="checkbox"/> Aluminum
Hub Carrier Bush
<input type="checkbox"/> Plastic <input type="checkbox"/> Brass

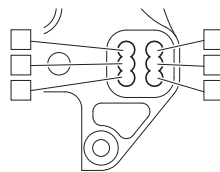
### ● Front Sus. Arm

<input type="checkbox"/> SS <input type="checkbox"/> Soft (Std.) <input type="checkbox"/> Hard
--

### ● Front Sus. Bush

Rear Side	
-----------	--

### ● Front Upper Arm Position

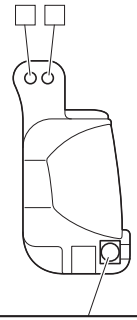


### ● Front Wheel Hub

<input type="checkbox"/> Narrow <input type="checkbox"/> Std. <input type="checkbox"/> Wide
---

### ● Front Hub Carrier

<input type="checkbox"/> Plastic <input type="checkbox"/> Aluminum
<input type="checkbox"/> 13° <input type="checkbox"/> 16° <input type="checkbox"/> 17.5° <input type="checkbox"/> 19° <input type="checkbox"/> 22°



### ● Lower Bush

<input type="checkbox"/> Plastic <input type="checkbox"/> Brass
-1°  0°  +1°

### ● Rear Sus. Bush

Front Side	
Rear Side	

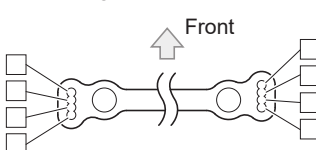
### ● Rear Sus. Arm

<input type="checkbox"/> Soft (Std.) <input type="checkbox"/> Hard
Rear Sus. Bush
Short
Medium
Long

### ● Servo Horn

Steering	Throttle
<input type="checkbox"/> Plastic <input type="checkbox"/> AL. Long <input type="checkbox"/> AL. Short	<input type="checkbox"/> Plastic <input type="checkbox"/> AL.

### ● Steering Plate



### ● Sway Bar

Front	Rear
$\varphi$	$\varphi$
mm	mm

### ● Weight

Front	Rear
<input type="checkbox"/> None <input type="checkbox"/> IFW604-10 <input type="checkbox"/> IFW604-20 <input type="checkbox"/> other	<input type="checkbox"/> None <input type="checkbox"/> IFW605-10 <input type="checkbox"/> IFW605-20 <input type="checkbox"/> other

### ● Wing

<input type="checkbox"/> IF491(TK14) Flap <input type="checkbox"/> None <input type="checkbox"/> 5mm <input type="checkbox"/> 8mm <input type="checkbox"/> Holes
---

Am0 - PetitRC

# NOTES