

# InfernoMP10 SET UP SHEET

ver.1.01



Name of Driver		Date		Track		Engine		Plug		Muffler	
Reno Savoya		02/06/20		Basic setup Condition: -----		Picco P3X		Picco #5		Picco 2099	
Spur Gear	Clutch Bell	Clutch Spring		Clutch Shoe	Tire	Tire Insert	Wheel	Body	Fuel		
46 T	<input type="checkbox"/> Std. <input checked="" type="checkbox"/> LW 13T	<input type="checkbox"/> 0.90 <input type="checkbox"/> 1.00 <input checked="" type="checkbox"/> 0.95 <input type="checkbox"/> 1.10	Carbon <input checked="" type="checkbox"/> Aluminum <input checked="" type="checkbox"/> 3	Tire : <b>Impact</b> Compounds: <b>SLW</b>	AKA red	AKA	stock	Hot road GT			

## ● Diff. Gear Set-Up

	Front	Center	Rear
Diff. Gear	<input checked="" type="checkbox"/> Std. <input type="checkbox"/> LSD	<input checked="" type="checkbox"/> Std. <input type="checkbox"/> LSD	<input checked="" type="checkbox"/> Std. <input type="checkbox"/> LSD
Ring Gear	<input checked="" type="checkbox"/> 43/13 <input type="checkbox"/> 42/12	# 7k	<input checked="" type="checkbox"/> 43/13 <input type="checkbox"/> 42/12
	# 7k	# 7k	# 3k

## ● Shock Set-Up

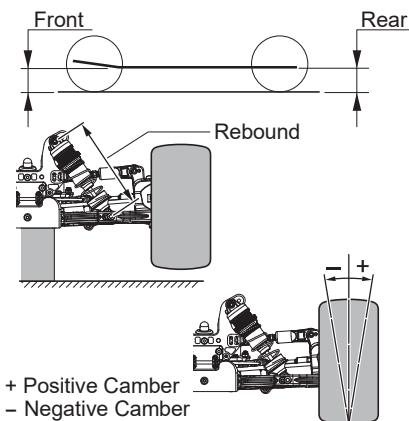
	Front	Rear
Shock Type	P : w/Diaphragm A : Aeration Size <b>P</b> - type <b>stock</b>	Size <b>P</b> - type <b>stock</b>
Shock Piston	B : Black W : White T : Taper T $\varnothing$ <b>1,2 x 8</b>	T $\varnothing$ <b>1,4 x 8</b>
Shock Oil	# <b>450</b>	# <b>550</b>
Shock Spring	Light blue (IF350-714)	Red (IFW607-8515)

## ● Ride Height

Front	Rear
<b>24 mm</b>	<b>29 mm</b>

## ● Rebound

Front	Rear
<b>102 mm</b>	<b>119 mm</b>



## ● Camber Angle

Front	Rear
+ <b>-2</b> °	+ <b>-2</b> °

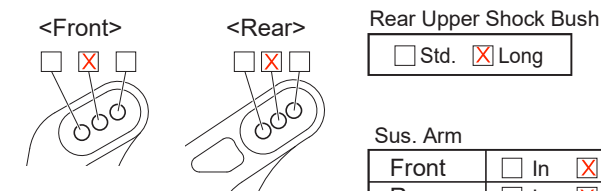
## ● Toe Angle

Front	Rear
+ <b>-2</b> °	<input checked="" type="checkbox"/> 2.5° <input type="checkbox"/> 3° <input type="checkbox"/> 3.5°

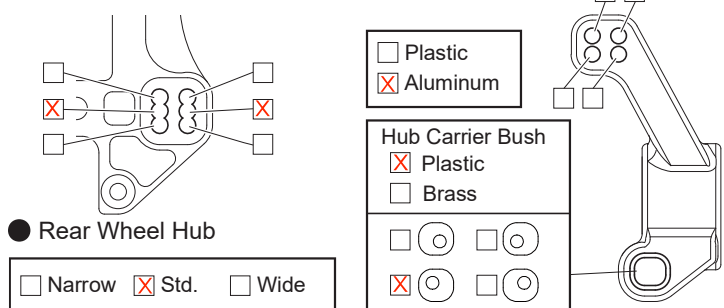
## ● Wheelbase

Collar of Rear Hub	Front Side <b>3</b> mm	Rear Side <b>2</b> mm
--------------------	------------------------	-----------------------

## ● Shock Mount Position



## ● Rear Upper Arm Position



## ● Rear Wheel Hub

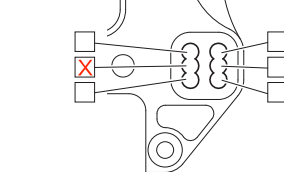
## ● Front Sus. Arm

<input checked="" type="checkbox"/> Soft (Std.) <input type="checkbox"/> Hard
---

## ● Front Sus. Bush

Rear Side	<input checked="" type="checkbox"/> <input type="checkbox"/>
-----------	--

## ● Front Upper Arm Position

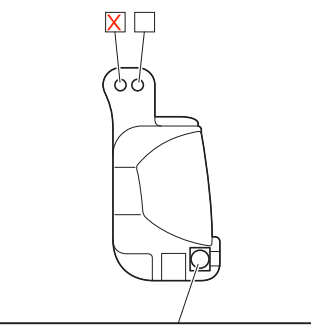


## ● Front Wheel Hub

<input type="checkbox"/> Narrow <input checked="" type="checkbox"/> Std. <input type="checkbox"/> Wide
--

## ● Front Hub Carrier

<input type="checkbox"/> Plastic <input checked="" type="checkbox"/> Aluminum
<input type="checkbox"/> 13° <input checked="" type="checkbox"/> 16° <input type="checkbox"/> 17.5° <input type="checkbox"/> 19°



## ● Front Wheel Hub

Lower Bush	<input checked="" type="checkbox"/> Plastic <input type="checkbox"/> Brass
	<input type="checkbox"/> -1° <input checked="" type="checkbox"/> 0° <input type="checkbox"/> +1°

## ● Rear Sus. Bush

Front Side	<input type="checkbox"/> <input checked="" type="checkbox"/> <input type="checkbox"/> <input type="checkbox"/>
Rear Side	<input checked="" type="checkbox"/> (2.5) (2.5) <input type="checkbox"/> (3) (3) <input type="checkbox"/> (3.5) (3.5) <input type="checkbox"/> (2) (2) <input type="checkbox"/> (3) (3) <input type="checkbox"/> (3) (3)

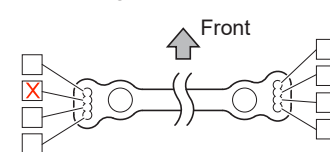
## ● Rear Sus. Arm

<input checked="" type="checkbox"/> Soft (Std.) <input type="checkbox"/> Hard
Rear Sus. Bush
<input type="checkbox"/> Short <input type="checkbox"/> Medium <input checked="" type="checkbox"/> Long

## ● Servo Horn

Steering	Throttle
<input type="checkbox"/> Plastic <input checked="" type="checkbox"/> AL. Long <input type="checkbox"/> AL. Short	<input type="checkbox"/> Plastic <input checked="" type="checkbox"/> AL.

## ● Steering Plate



## ● Sway Bar

Front	Rear
$\varnothing$ <b>2,2mm</b>	$\varnothing$ <b>2,8mm</b>
<b>1 mm</b>	<b>1 mm</b>

## ● Weight

Front	Rear
<input type="checkbox"/> None <input type="checkbox"/> IFW604-10 <input checked="" type="checkbox"/> IFW604-20 <input type="checkbox"/> other	<input checked="" type="checkbox"/> None <input type="checkbox"/> IFW605-10 <input type="checkbox"/> IFW605-20 <input type="checkbox"/> other

## ● Wing

<input checked="" type="checkbox"/> IF491(TK14)	Flap <input checked="" type="checkbox"/> None <input type="checkbox"/> 5mm <input type="checkbox"/> 8mm <input checked="" type="checkbox"/> Holes
---	--

memo:

- Options on setup sheet plus:
- titanium screws IFW602
  - aluminum diff pins IFW467
  - aluminum AMB plate IFW426
  - rear center dogbone IFW616 and IFW617
  - IFW52B clutch shoes