

InfernoMP10 SET UP SHEET

ver.1.03



Name of Driver		Date		Track		Engine		Plug		Muffler	
Renaud Savoya		23/01/22		MBM Montpellier		Picco P3TT		P5TH		EFRA 2166	
Condition: Oiled				Temperature: 13°C							
Spur Gear	Clutch Bell	Clutch Spring		Clutch Shoe	Tire	Tire Insert	Wheel	Body	Fuel		
45 T	<input type="checkbox"/> Std. <input checked="" type="checkbox"/> LW 13 T	<input type="checkbox"/> 0.90 <input type="checkbox"/> 1.00 <input checked="" type="checkbox"/> 0.95 <input type="checkbox"/> 1.10	Carbon <input checked="" type="checkbox"/> 3 Aluminum <input type="checkbox"/>	Tire : AKA Type Compounds: Clay	AKA	AKA	TKI2	Hot Road GT			

● Diff. Gear Set-Up

	Front	Center	Rear
Diff. Gear	<input checked="" type="checkbox"/> 10/20 <input type="checkbox"/> 12/18 <input type="checkbox"/> LSD	<input checked="" type="checkbox"/> 10/20 <input type="checkbox"/> 12/18 <input type="checkbox"/> LSD	<input checked="" type="checkbox"/> 10/20 <input type="checkbox"/> 12/18 <input type="checkbox"/> LSD
Ring Gear	<input checked="" type="checkbox"/> 43/13 <input type="checkbox"/> 42/12	Diff. Size <input checked="" type="checkbox"/> Small <input type="checkbox"/> Large	<input checked="" type="checkbox"/> 43/13 <input type="checkbox"/> 42/12
	# 15k	# 15k	# 7k

● Shock Set-Up

	Front	Rear
Shock Type	P : w/Diaphragm A : Aeration	
Shock Piston	B : Black W : White T : Taper	
Shock Oil	# 350	# 500
Shock Spring	IFS001-7515	IFS002-8515

● Ride Height

Front	Rear
23 mm	27 mm

● Rebound

Front	Rear
107 mm	124 mm

● Camber Angle

Front	Rear
+ 2 °	+ 2 °

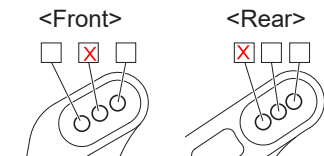
● Toe Angle

Front	Rear
+ 2 °	<input type="checkbox"/> 2.5° <input checked="" type="checkbox"/> 3° <input type="checkbox"/> 3.5°

● Wheelbase

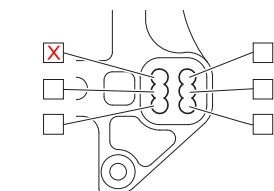
Collar of Rear Hub	Front Side 5 mm	Rear Side 0 mm
--------------------	-----------------	----------------

● Shock Mount Position

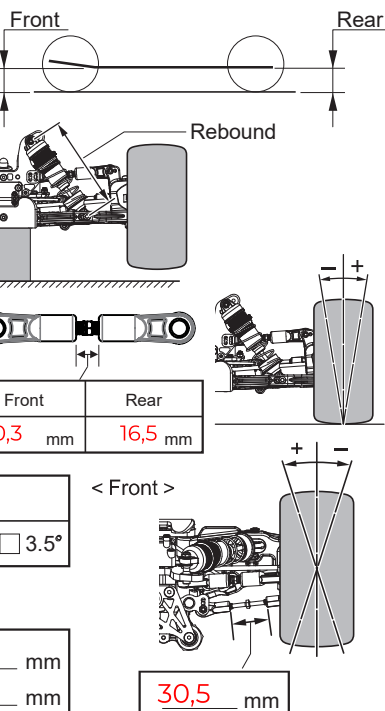


Sus. Arm	Front	<input type="checkbox"/> In <input type="checkbox"/> Out
	Rear	<input type="checkbox"/> In <input checked="" type="checkbox"/> Out

● Rear Upper Arm Position



Rear Wheel Hub	<input type="checkbox"/> Narrow <input checked="" type="checkbox"/> Std. <input type="checkbox"/> Wide
----------------	--



Shock Stay	Front	<input type="checkbox"/> Short <input checked="" type="checkbox"/> Long <input type="checkbox"/> Alu <input checked="" type="checkbox"/> Carbon
	Rear	<input type="checkbox"/> Short <input checked="" type="checkbox"/> Long <input type="checkbox"/> Alu <input checked="" type="checkbox"/> Carbon
Shock Bush	Front	<input checked="" type="checkbox"/> Short <input type="checkbox"/> Std.
	Rear	<input type="checkbox"/> Short <input checked="" type="checkbox"/> Std. <input type="checkbox"/> Long

Hub Carrier Bush	<input type="checkbox"/> Plastic <input checked="" type="checkbox"/> Aluminum
	<input checked="" type="checkbox"/> Plastic <input type="checkbox"/> Brass

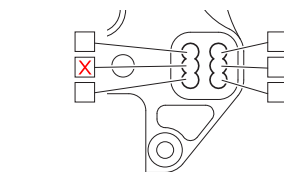
● Front Sus. Arm

<input type="checkbox"/> SS <input checked="" type="checkbox"/> Soft (Std.) <input type="checkbox"/> Hard

● Front Sus. Bush

Rear Side	<input type="checkbox"/> <input checked="" type="checkbox"/>
-----------	--

● Front Upper Arm Position

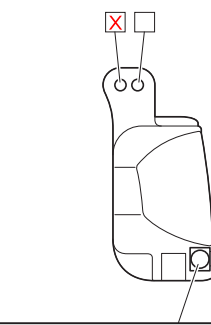


● Front Wheel Hub

<input type="checkbox"/> Narrow <input checked="" type="checkbox"/> Std. <input type="checkbox"/> Wide
--

● Front Hub Carrier

<input type="checkbox"/> Plastic <input checked="" type="checkbox"/> Aluminum
<input type="checkbox"/> 13° <input type="checkbox"/> 16° <input checked="" type="checkbox"/> 17.5° <input type="checkbox"/> 19° <input type="checkbox"/> 22°



● Rear Sus. Bush

Front Side	<input checked="" type="checkbox"/> <input type="checkbox"/> <input type="checkbox"/> <input type="checkbox"/>
Rear Side	<input checked="" type="checkbox"/> (2.5) (2.5) <input type="checkbox"/> (3) (3) <input type="checkbox"/> (3.5) (3.5) <input type="checkbox"/> (4) (4) <input type="checkbox"/> (4.5) (4.5) <input type="checkbox"/> (5) (5)

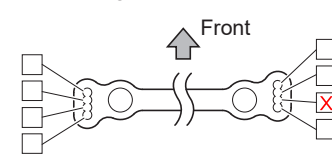
● Rear Sus. Arm

<input type="checkbox"/> Soft (Std.) <input checked="" type="checkbox"/> Hard
Rear Sus. Bush
<input type="checkbox"/> Short <input type="checkbox"/> Medium <input checked="" type="checkbox"/> Long

● Servo Horn

Steering	Throttle
<input type="checkbox"/> Plastic <input checked="" type="checkbox"/> AL. Long <input type="checkbox"/> AL. Short	<input type="checkbox"/> Plastic <input checked="" type="checkbox"/> AL.

● Steering Plate



● Sway Bar

Front	Rear
φ 2,3mm	φ 2,8mm
1 mm	2 mm

● Weight

Front	Rear
<input type="checkbox"/> None <input checked="" type="checkbox"/> IFW604-10 <input checked="" type="checkbox"/> IFW604-20 <input type="checkbox"/> other	<input type="checkbox"/> None <input type="checkbox"/> IFW605-10 <input checked="" type="checkbox"/> IFW605-20 <input type="checkbox"/> other x2 = 40g

● Wing

<input checked="" type="checkbox"/> IF491(TK14)	Flap <input checked="" type="checkbox"/> None <input type="checkbox"/> 5mm <input type="checkbox"/> 8mm <input checked="" type="checkbox"/> Holes
---	--

memo: **OPTIONS:**

- titanium screws and turnbuckles
- IFW426 aluminium AMB Plate
- IFW474 17.5 caster blocks
- IFW631 and IFW632 shock towers
- center dogbones: IFW617, IFW617, MA081
- IFW626 carbon servo saver plate
- IFW613 front CVA driveshafts