

# Inferno MP10 SET UP SHEET

ver.1.03



Name of Driver <b>Renaud Savoya</b>		Date <b>27/02/22</b>		Track <b>The dirt Perris</b>		Engine <b>Picco P3TT</b>		Plug <b>P5TH</b>		Muffler <b>EFRA 2166</b>					
		Condition: <b>Rough</b>		Temperature: <b>13°C</b>											
Spur Gear <b>45</b> T	Clutch Bell <input type="checkbox"/> Std. <input checked="" type="checkbox"/> LW <b>13</b> T	Clutch Spring <input type="checkbox"/> 0.90 <input type="checkbox"/> 1.00 <input checked="" type="checkbox"/> 0.95 <input type="checkbox"/> 1.10		Clutch Shoe Carbon <input checked="" type="checkbox"/> Aluminum <input checked="" type="checkbox"/> <b>3</b>		Tire Tire : <b>AKA Grid</b> Compounds: <b>SSLW</b>		Tire Insert <b>AKA</b>		Wheel <b>AKA</b>		Body <b>TKI2</b>		Fuel <b>Hot Road GT</b>	

## ● Diff. Gear Set-Up

	Front	Center	Rear
Diff. Gear	<input checked="" type="checkbox"/> 10/20 <input type="checkbox"/> 12/18 <input type="checkbox"/> LSD	<input checked="" type="checkbox"/> 10/20 <input type="checkbox"/> 12/18 <input type="checkbox"/> LSD	<input checked="" type="checkbox"/> 10/20 <input type="checkbox"/> 12/18 <input type="checkbox"/> LSD
Ring Gear	<input checked="" type="checkbox"/> 43/13 <input type="checkbox"/> 42/12	Diff. Size <input checked="" type="checkbox"/> Small <input type="checkbox"/> Large	<input checked="" type="checkbox"/> 43/13 <input type="checkbox"/> 42/12
	# <b>10k</b>	# <b>5k</b>	# <b>3k</b>

## ● Shock Set-Up

	Front	Rear
Shock Type	P : w/Diaphragm A : Aeration Size <b>50</b> - type <b>P</b>	Size <b>58</b> - type <b>P</b>
Shock Piston	B φ <b>5</b> x <b>1,5</b>	B φ <b>5</b> x <b>1,5</b>
Shock Oil	# <b>750</b>	# <b>550</b>
Shock Spring	<b>Dark blue 70mm</b>	<b>Purple 81mm</b>

## ● Ride Height

Front	Rear
<b>27</b> mm	<b>31</b> mm

## ● Rebound

Front	Rear
<b>107</b> mm	<b>124</b> mm

## ● Camber Angle

Front	Rear
+ <b>2</b> °	+ <b>3</b> °

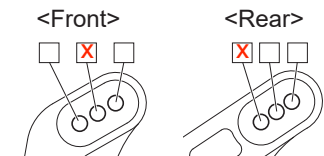
## ● Toe Angle

Front	Rear
+ <b>2</b> °	<input type="checkbox"/> 2.5° <input checked="" type="checkbox"/> 3° <input type="checkbox"/> 3.5°

## ● Wheelbase

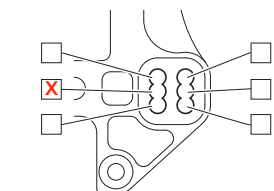
Collar of Rear Hub	Front Side <b>5</b> mm	Rear Side <b>0</b> mm
--------------------	------------------------	-----------------------

## ● Shock Mount Position



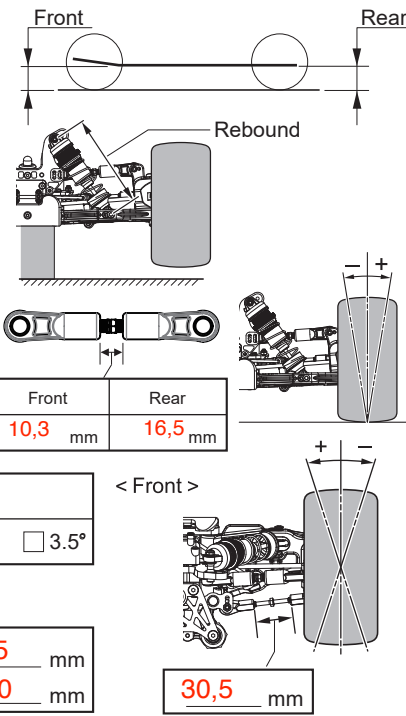
Sus. Arm	Front	<input type="checkbox"/> In <input type="checkbox"/> Out
	Rear	<input type="checkbox"/> In <input checked="" type="checkbox"/> Out

## ● Rear Upper Arm Position



## ● Rear Wheel Hub

<input type="checkbox"/> Narrow <input type="checkbox"/> Std. <input checked="" type="checkbox"/> Wide
--



## Shock Stay

Front	<input type="checkbox"/> Short <input checked="" type="checkbox"/> Long
	<input type="checkbox"/> Alu <input checked="" type="checkbox"/> Carbon
Rear	<input type="checkbox"/> Short <input checked="" type="checkbox"/> Long
	<input type="checkbox"/> Alu <input checked="" type="checkbox"/> Carbon

## Shock Bush

Front	<input checked="" type="checkbox"/> Short <input type="checkbox"/> Std.
Rear	<input type="checkbox"/> Short <input type="checkbox"/> Std. <input checked="" type="checkbox"/> Long

<input type="checkbox"/> Plastic <input checked="" type="checkbox"/> Aluminum
---

Hub Carrier Bush	<input checked="" type="checkbox"/> Plastic <input type="checkbox"/> Brass
------------------	--

<input type="checkbox"/> <input type="checkbox"/> <input type="checkbox"/> <input type="checkbox"/>
<input checked="" type="checkbox"/> <input type="checkbox"/> <input type="checkbox"/> <input type="checkbox"/>

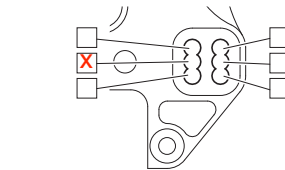
## ● Front Sus. Arm

<input type="checkbox"/> SS <input checked="" type="checkbox"/> Soft (Std.) <input type="checkbox"/> Hard
---

## ● Front Sus. Bush

Rear Side	<input type="checkbox"/> <input checked="" type="checkbox"/>
-----------	--

## ● Front Upper Arm Position

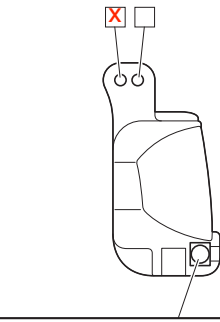


## ● Front Wheel Hub

<input type="checkbox"/> Narrow <input checked="" type="checkbox"/> Std. <input type="checkbox"/> Wide
--

## ● Front Hub Carrier

<input type="checkbox"/> Plastic <input checked="" type="checkbox"/> Aluminum
<input type="checkbox"/> 13° <input type="checkbox"/> 16° <input type="checkbox"/> 17.5° <input checked="" type="checkbox"/> 19° <input type="checkbox"/> 22°



## ● Rear Sus. Bush

Front Side	<input checked="" type="checkbox"/> <input type="checkbox"/> <input type="checkbox"/> <input type="checkbox"/>
Rear Side	<input type="checkbox"/> (2.5) (2.5) <input checked="" type="checkbox"/> (3) (3) <input type="checkbox"/> (3.5) (3.5)
	<input type="checkbox"/> (2) (2) <input type="checkbox"/> (3) (3) <input type="checkbox"/> (3) (3)

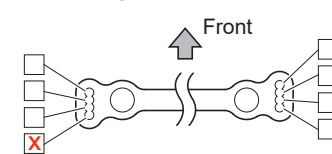
## ● Rear Sus. Arm

<input type="checkbox"/> Soft (Std.) <input checked="" type="checkbox"/> Hard
Rear Sus. Bush
<input type="checkbox"/> Short <input type="checkbox"/> Medium <input checked="" type="checkbox"/> Long

## ● Servo Horn

Steering	Throttle
<input type="checkbox"/> Plastic	<input type="checkbox"/> Plastic
<input type="checkbox"/> AL. Long	<input checked="" type="checkbox"/> AL.
<input checked="" type="checkbox"/> AL. Short	

## ● Steering Plate



## ● Sway Bar

Front	Rear
φ <b>2,4mm</b>	φ <b>2,7mm</b>
<b>1</b> mm	<b>2</b> mm

## ● Weight

Front	Rear
<input type="checkbox"/> None <input type="checkbox"/> IFW604-10 <input checked="" type="checkbox"/> IFW604-20 <input type="checkbox"/> other	<input type="checkbox"/> None <input type="checkbox"/> IFW605-10 <input checked="" type="checkbox"/> IFW605-20 <input type="checkbox"/> other

## ● Wing

<input checked="" type="checkbox"/> IF491(TK14)	Flap <input checked="" type="checkbox"/> None <input type="checkbox"/> 5mm <input type="checkbox"/> 8mm
	<input checked="" type="checkbox"/> Holes

## memo :

- OPTIONS:**
- titanium screws and turnbuckles
  - IFW426 aluminium AMB Plate
  - IFW461 19° caster blocks
  - IFW631 and IFW632 shock towers
  - IFW626 carbon servo saver plate
  - IFW612 XL rear shock mounts