

# Inferno MP10 TK12 SETUP SHEET

Ver. 1.03 **KYOSHO**  
THE FINEST RADIO CONTROL MODELS

Name of Driver <b>Reno Savoya</b>		Date <b>17/10/2022</b>	Track <b>Setup conseillé facile</b>	Engine <i>Picco P3TT Limited</i>	Plug <b>OS P4</b>	Muffler <b>EFRA 2166</b>				
Spur Gear <b>45</b> T			Clutch Bell <input checked="" type="checkbox"/> Std. <input checked="" type="checkbox"/> LW <b>13</b> T	Clutch Spring <input checked="" type="checkbox"/> 0.90 <input type="checkbox"/> 1.00 <input checked="" type="checkbox"/> 0.95 <input type="checkbox"/> 1.10	Clutch Shoe Carbon <input checked="" type="checkbox"/> x Aluminum <input type="checkbox"/> 3x	Tire Tire: <b>AKA Component 2A</b> Compounds: <b>SSLW</b>	Tire Insert <b>AKA</b>	Wheel <b>AKA</b>	Body <b>TK12 light</b>	Fuel <i>Racing experience 25% GT</i>

## ● Diff. Gear Set-Up

	Front	Center	Rear
Diff. Gear	<input checked="" type="checkbox"/> 10/20 <input type="checkbox"/> 12/18 <input type="checkbox"/> LSD	<input checked="" type="checkbox"/> 10/20 <input type="checkbox"/> 12/18 <input type="checkbox"/> LSD	<input checked="" type="checkbox"/> 10/20 <input type="checkbox"/> 12/18 <input type="checkbox"/> LSD
Ring Gear	<input checked="" type="checkbox"/> 43/13 <input type="checkbox"/> 42/12	Diff. Size <input type="checkbox"/> Small <input checked="" type="checkbox"/> Large	<input checked="" type="checkbox"/> 43/13 <input type="checkbox"/> 42/12
	# <b>7k</b>	# <b>7k</b>	# <b>3k</b>

## ● Shock Set-Up

	Front	Rear
Shock Type	P: w/Diaphragm A: Aeration <b>50 - A</b>	<b>58 - A</b>
Shock Piston	B: Black W: White T: Taper <b>1,2B x 8</b>	<b>1,3W x 8</b>
Shock Oil	# <b>550</b>	# <b>500</b>
Shock Spring	<b>IFS001-7515</b>	<b>IFS002-8515</b>

## ● Ride Height

Front	Rear
<b>24mm</b>	<b>27mm</b>

## ● Rebound

Front	Rear
<b>106mm</b>	<b>122,5mm</b>

## ● Camber Angle

Front	Rear
+ <b>-2°</b>	+ <b>-3°</b>

## ● Toe Angle

Front	Rear
+ <b>-2°</b>	<input type="checkbox"/> 2.5° <input checked="" type="checkbox"/> 3° <input type="checkbox"/> 3.5°

## ● Wheelbase

Collar of Rear Hub	Front Side <b>5mm</b>	Rear Side <b>0mm</b>
--------------------	-----------------------	----------------------

## ● Shock Mount Position

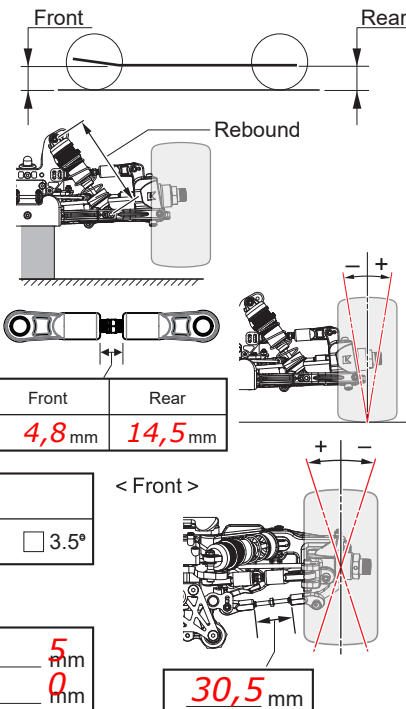
<Front>	<Rear>
<input checked="" type="checkbox"/> In <input checked="" type="checkbox"/> Out	<input checked="" type="checkbox"/> In <input checked="" type="checkbox"/> Out
Sus. Arm	
Front <input type="checkbox"/> In <input checked="" type="checkbox"/> Out	
Rear <input type="checkbox"/> In <input checked="" type="checkbox"/> Out	

## ● Rear Upper Arm Position

<input type="checkbox"/> Plastic	<input checked="" type="checkbox"/> Aluminum
Hub Carrier Bush	<input checked="" type="checkbox"/> Plastic
	<input type="checkbox"/> Brass

## ● Rear Wheel Hub

<input type="checkbox"/> Narrow	<input checked="" type="checkbox"/> Std.	<input type="checkbox"/> Wide
---------------------------------	--	-------------------------------



Shock Stay	<input type="checkbox"/> Short <input checked="" type="checkbox"/> Long
Front	<input checked="" type="checkbox"/> Alu <input type="checkbox"/> Carbon
Rear	<input type="checkbox"/> Short <input checked="" type="checkbox"/> Long
	<input checked="" type="checkbox"/> Alu <input type="checkbox"/> Carbon
Shock Bush	
Front	<input type="checkbox"/> Short <input checked="" type="checkbox"/> Std.
Rear	<input type="checkbox"/> Short <input type="checkbox"/> Std. <input checked="" type="checkbox"/> Long

**30,5 mm**

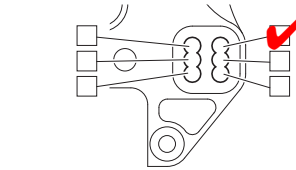
## ● Front Sus. Arm

<input type="checkbox"/> SS	<input checked="" type="checkbox"/> Soft (Std.)	<input type="checkbox"/> Hard
-----------------------------	---	-------------------------------

## ● Front Sus. Bush

Rear Side	<input type="checkbox"/> Narrow <input checked="" type="checkbox"/> Std. <input type="checkbox"/> Wide
-----------	--

## ● Front Upper Arm Position

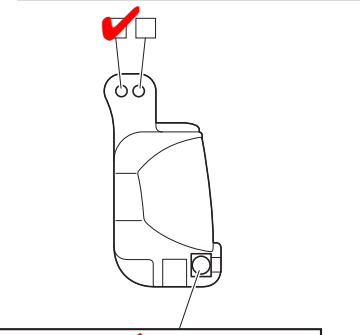


## ● Front Wheel Hub

<input type="checkbox"/> Narrow	<input checked="" type="checkbox"/> Std.	<input type="checkbox"/> Wide
---------------------------------	--	-------------------------------

## ● Front Hub Carrier

<input type="checkbox"/> Plastic	<input checked="" type="checkbox"/> Aluminum
<input type="checkbox"/> 13°	<input type="checkbox"/> 16° <input checked="" type="checkbox"/> 17.5° <input type="checkbox"/> 19° <input type="checkbox"/> 22°



## ● Front Wheel Hub

Lower Bush	<input checked="" type="checkbox"/> Plastic	<input type="checkbox"/> Brass
	-1° <input type="checkbox"/>	0° <input type="checkbox"/> +1° <input checked="" type="checkbox"/>

## ● Rear Sus. Bush

Front Side	<input type="checkbox"/> 2.5 <input type="checkbox"/> 2.5 <input checked="" type="checkbox"/> 2.5 <input type="checkbox"/> 2.5
Rear Side	<input checked="" type="checkbox"/> 2.5 <input checked="" type="checkbox"/> 2.5 <input type="checkbox"/> 3.5 <input type="checkbox"/> 3.5

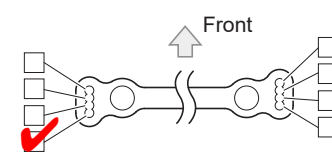
## ● Rear Sus. Arm

<input checked="" type="checkbox"/> Soft (Std.)	<input type="checkbox"/> Hard
Rear Sus. Bush	
Short	<input type="checkbox"/>
Medium	<input type="checkbox"/>
Long	<input checked="" type="checkbox"/>

## ● Servo Horn

Steering	Throttle
<input type="checkbox"/> Plastic	<input type="checkbox"/> Plastic
<input type="checkbox"/> AL. Long	<input checked="" type="checkbox"/> AL.
<input checked="" type="checkbox"/> AL. Short	

## ● Steering Plate



## ● Sway Bar

Front	Rear
$\varnothing$ <b>2,4</b>	$\varnothing$ <b>2,6</b>
<b>0 mm</b>	<b>2 mm</b>

## ● Weight

Front	Rear
<input type="checkbox"/> None	<input type="checkbox"/> None
<input type="checkbox"/> IFW604-10	<input type="checkbox"/> IFW605-10
<input checked="" type="checkbox"/> IFW604-20	<input checked="" type="checkbox"/> IFW605-20
<input type="checkbox"/> other	<input type="checkbox"/> other

## ● Wing

<input checked="" type="checkbox"/> IF491(TK14)	Flap <input type="checkbox"/> None
	<input type="checkbox"/> 5mm
	<input type="checkbox"/> 8mm
	<input type="checkbox"/> Holes

**OPTIONS:**  
- IFW136 clutch shoes

NOTES