

Inferno III P10 SET UP SHEET

ver.1.03



Name of Driver Renaud Savoya		Date 21/02/22		Track Agde		Engine Picco P3TT		Plug P5TH		Muffler EFRA 2166							
Spur Gear 45 T		Clutch Bell <input type="checkbox"/> Std. <input checked="" type="checkbox"/> LW 13 T		Clutch Spring <input type="checkbox"/> 0.90 <input type="checkbox"/> 1.00 <input checked="" type="checkbox"/> 0.95 <input type="checkbox"/> 1.10		Clutch Shoe Carbon <input checked="" type="checkbox"/> Aluminum <input checked="" type="checkbox"/> 3		Tire Tire : AKA P1 Compounds: SSLW		Tire Insert AKA		Wheel AKA		Body TKI2		Fuel Hot Road GT	

● Diff. Gear Set-Up

	Front	Center	Rear
Diff. Gear	<input checked="" type="checkbox"/> 10/20 <input type="checkbox"/> 12/18 <input type="checkbox"/> LSD	<input checked="" type="checkbox"/> 10/20 <input type="checkbox"/> 12/18 <input type="checkbox"/> LSD	<input checked="" type="checkbox"/> 10/20 <input type="checkbox"/> 12/18 <input type="checkbox"/> LSD
Ring Gear	<input checked="" type="checkbox"/> 43/13 <input type="checkbox"/> 42/12	Diff. Size <input checked="" type="checkbox"/> Small <input type="checkbox"/> Large	<input checked="" type="checkbox"/> 43/13 <input type="checkbox"/> 42/12
	# 20k	# 10k	# 5k

● Shock Set-Up

	Front	Rear
Shock Type	P : w/Diaphragm A : Aeration	
Shock Piston	B : Black W : White T : Taper	
Shock Oil	# 450	# 650
Shock Spring	Red 70mm	Purple 81mm

● Ride Height

Front	Rear
23 mm	28 mm

● Rebound

Front	Rear
107 mm	124 mm

● Camber Angle

Front	Rear
+ 2 °	+ 3 °

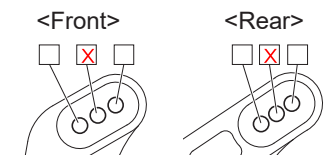
● Toe Angle

Front	Rear
+ 2 °	<input checked="" type="checkbox"/> 2.5° <input type="checkbox"/> 3° <input type="checkbox"/> 3.5°

● Wheelbase

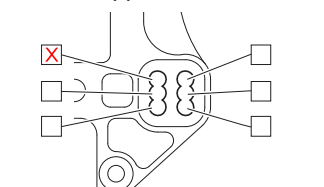
Collar of Rear Hub	Front Side	Rear Side
	5 mm	0 mm

● Shock Mount Position



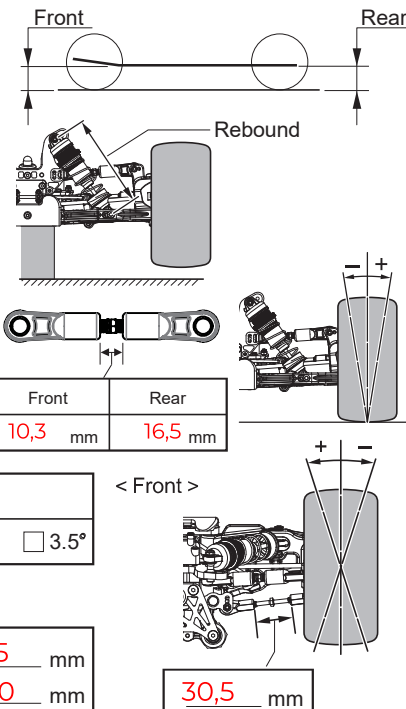
Sus. Arm	Front	Rear
	<input type="checkbox"/> In <input type="checkbox"/> Out	<input type="checkbox"/> In <input checked="" type="checkbox"/> Out

● Rear Upper Arm Position



● Rear Wheel Hub

<input type="checkbox"/> Narrow	<input type="checkbox"/> Std.	<input checked="" type="checkbox"/> Wide
---------------------------------	-------------------------------	--



Shock Stay	Front	Rear
	<input type="checkbox"/> Short <input checked="" type="checkbox"/> Long	<input type="checkbox"/> Short <input checked="" type="checkbox"/> Long
	<input type="checkbox"/> Alu <input checked="" type="checkbox"/> Carbon	<input type="checkbox"/> Alu <input checked="" type="checkbox"/> Carbon
Shock Bush	Front	Rear
	<input checked="" type="checkbox"/> Short <input type="checkbox"/> Std.	<input type="checkbox"/> Short <input checked="" type="checkbox"/> Std. <input type="checkbox"/> Long

<input type="checkbox"/> Plastic	<input checked="" type="checkbox"/> Aluminum
Hub Carrier Bush	<input checked="" type="checkbox"/> Plastic
	<input type="checkbox"/> Brass

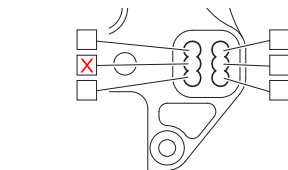
● Front Sus. Arm

<input type="checkbox"/> SS	<input checked="" type="checkbox"/> Soft (Std.)	<input type="checkbox"/> Hard
-----------------------------	---	-------------------------------

● Front Sus. Bush

Rear Side	<input type="checkbox"/> <input type="checkbox"/>	<input checked="" type="checkbox"/> <input type="checkbox"/>
-----------	---	--

● Front Upper Arm Position

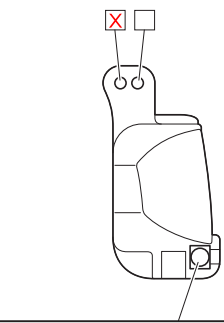


● Front Wheel Hub

<input type="checkbox"/> Narrow	<input checked="" type="checkbox"/> Std.	<input type="checkbox"/> Wide
---------------------------------	--	-------------------------------

● Front Hub Carrier

<input type="checkbox"/> Plastic	<input checked="" type="checkbox"/> Aluminum
<input type="checkbox"/> 13°	<input checked="" type="checkbox"/> 16° <input type="checkbox"/> 17.5° <input type="checkbox"/> 19° <input type="checkbox"/> 22°



● Rear Sus. Bush

Front Side	<input type="checkbox"/> <input type="checkbox"/>	<input checked="" type="checkbox"/> <input type="checkbox"/>	<input type="checkbox"/> <input type="checkbox"/>	<input type="checkbox"/> <input type="checkbox"/>
Rear Side	<input checked="" type="checkbox"/> (2.5) (2.5)	<input type="checkbox"/> (3) (3)	<input type="checkbox"/> (3.5) (3.5)	<input type="checkbox"/> (4) (4)

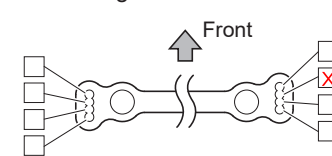
● Rear Sus. Arm

<input type="checkbox"/> Soft (Std.)	<input checked="" type="checkbox"/> Hard
Rear Sus. Bush	<input type="checkbox"/> Short <input type="checkbox"/>
	<input type="checkbox"/> Medium <input type="checkbox"/>
	<input checked="" type="checkbox"/> Long <input type="checkbox"/>

● Servo Horn

Steering	Throttle
<input type="checkbox"/> Plastic	<input type="checkbox"/> Plastic
<input type="checkbox"/> AL. Long	<input checked="" type="checkbox"/> AL.
<input checked="" type="checkbox"/> AL. Short	

● Steering Plate



● Sway Bar

Front	Rear
φ 2,4mm	φ 2,9mm
1 mm	2 mm

● Weight

Front	Rear
<input type="checkbox"/> None	<input type="checkbox"/> None
<input type="checkbox"/> IFW604-10	<input type="checkbox"/> IFW605-10
<input checked="" type="checkbox"/> IFW604-20	<input checked="" type="checkbox"/> IFW605-20
<input type="checkbox"/> other	<input type="checkbox"/> other

● Wing

<input checked="" type="checkbox"/> IF491(TK14)	Flap <input checked="" type="checkbox"/> None
	<input type="checkbox"/> 5mm
	<input type="checkbox"/> 8mm
	<input checked="" type="checkbox"/> Holes

memo:

OPTIONS:

- titanium screws and turnbuckles
- IFW426 aluminium AMB Plate
- IFW436 16 degrees caster blocks
- IFW631 and IFW632 shock towers
- IFW626 carbon servo saver plate
- IF403B and IFW634-45S small center diff