

# BJ4 WORLDS EDITION SET-UP SHEET:

DRIVER **Jared Tebo**

DATE **August 13, 2006**

TRACK/CITY **Planet R/C - Indiana**

EVENT **2006 ROAR Nationals**

## NOTES:

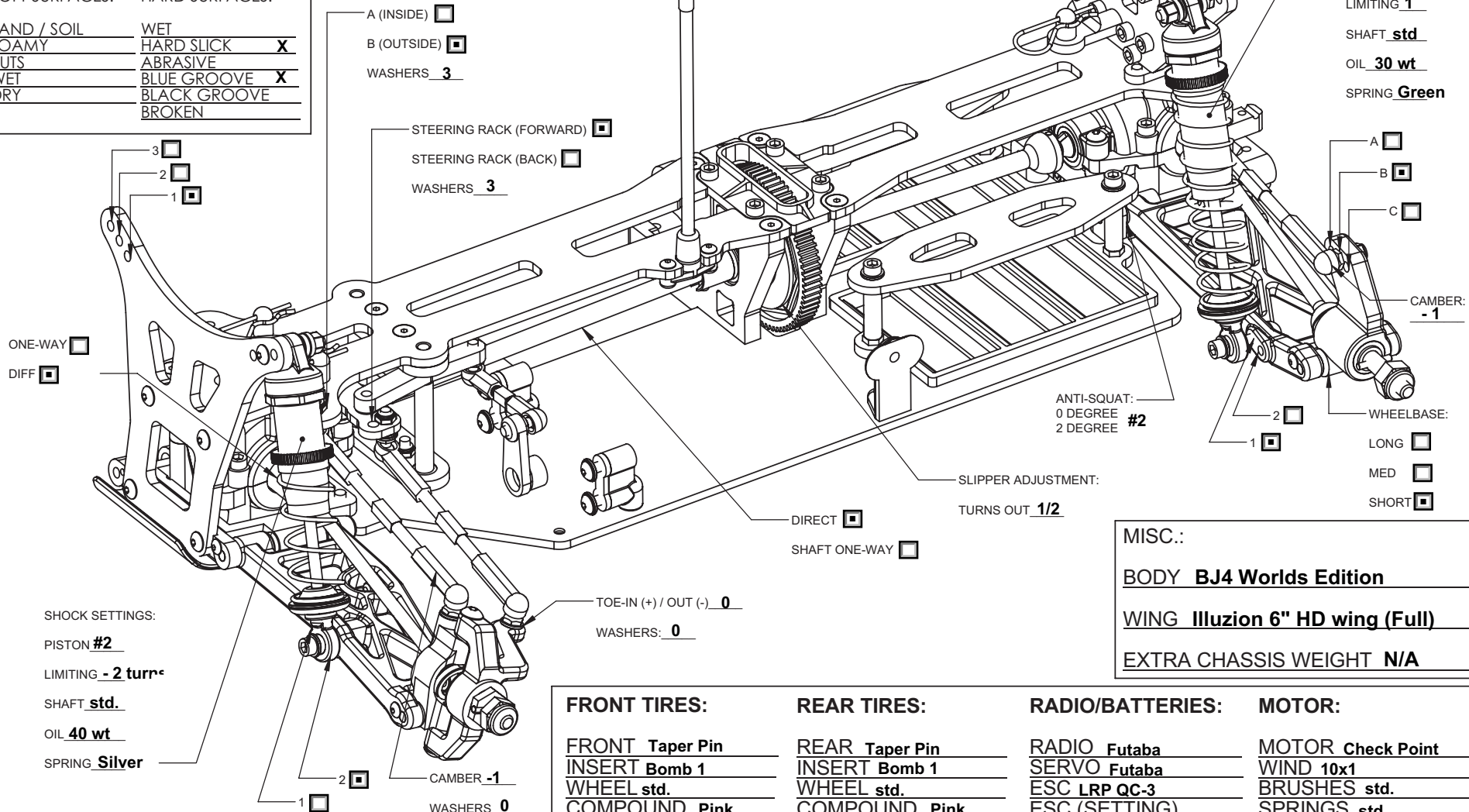
2006 ROAR National Champion!  
2 washers on the inside of rear camber link.



### TRACK CONDITIONS:

SOFT SURFACES:    HARD SURFACES:

SAND / SOIL	WET
LOAMY	HARD SLICK <b>X</b>
RUTS	ABRASIVE
WET	BLUE GROOVE <b>X</b>
DRY	BLACK GROOVE
	BROKEN



MISC.:  
BODY **BJ4 Worlds Edition**  
WING **Illuzion 6" HD wing (Full)**  
EXTRA CHASSIS WEIGHT **N/A**

FRONT TIRES:	REAR TIRES:	RADIO/BATTERIES:	MOTOR:
FRONT <u>Taper Pin</u>	REAR <u>Taper Pin</u>	RADIO <u>Futaba</u>	MOTOR <u>Check Point</u>
INSERT <u>Bomb 1</u>	INSERT <u>Bomb 1</u>	SERVO <u>Futaba</u>	WIND <u>10x1</u>
WHEEL <u>std.</u>	WHEEL <u>std.</u>	ESC <u>LRP QC-3</u>	BRUSHES <u>std.</u>
COMPOUND <u>Pink</u>	COMPOUND <u>Pink</u>	ESC (SETTING)	SPRINGS <u>std.</u>
ADDITIVE <u>N/A</u>	ADDITIVE <u>N/A</u>	BATTERIES <u>Check Point</u>	PINON/SPUR <u>18x81</u>