

**BJ4 WORLDS EDITION SET-UP SHEET:**

DRIVER **Chris Rowcliffe**

DATE **25/06/2006**

TRACK/CITY **Batley**

EVENT **UK National 2006 Rd 4**

**NOTES:**

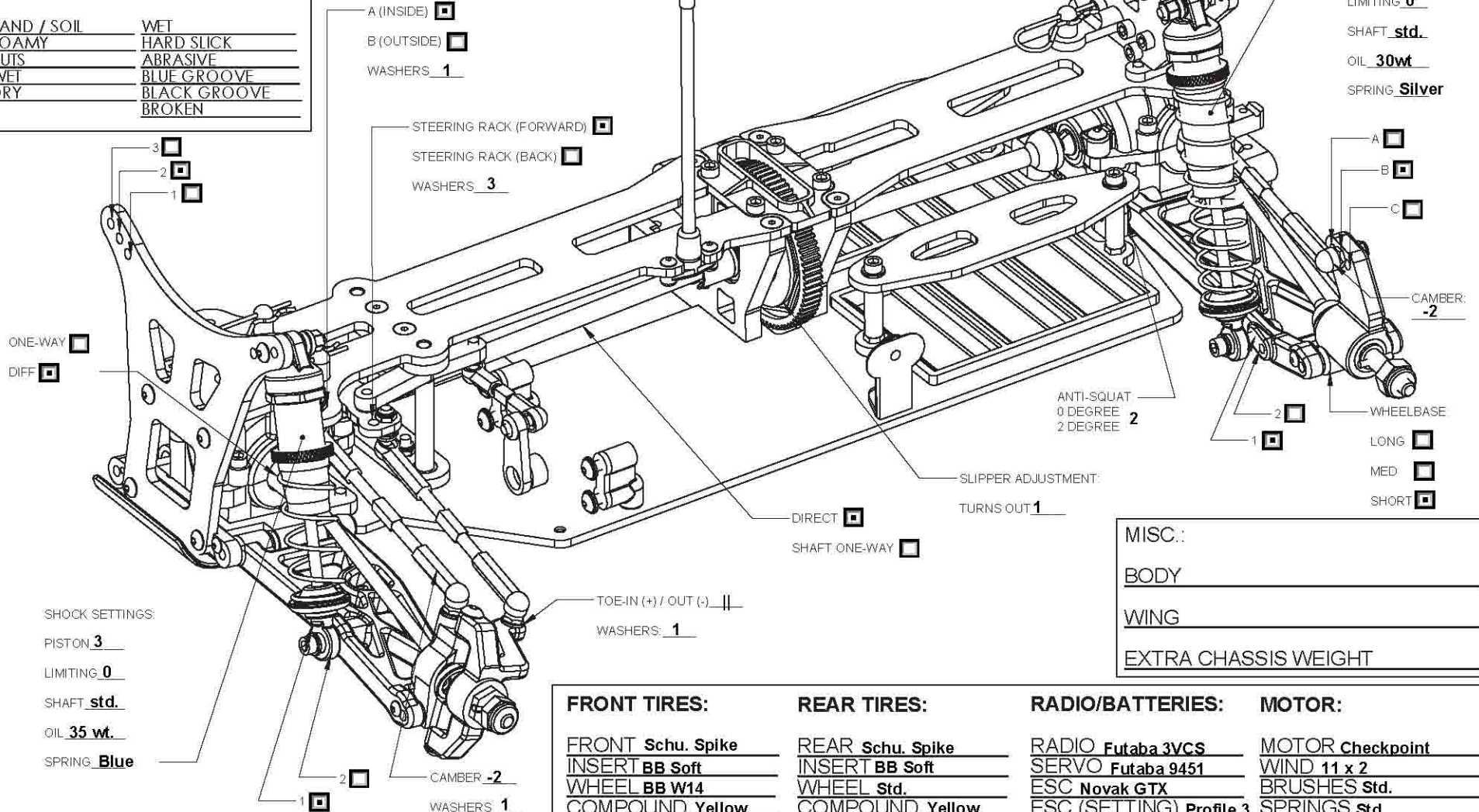
Inner and outer rows cut from front tires. 1 washer under rear ballstud.



**TRACK CONDITIONS:**

SOFT SURFACES:    HARD SURFACES:

SAND / SOIL	WET
LOAMY	HARD SLICK
RUTS	ABRASIVE
WET	BLUE GROOVE
DRY	BLACK GROOVE
	BROKEN



MISC.:

BODY \_\_\_\_\_

WING \_\_\_\_\_

EXTRA CHASSIS WEIGHT \_\_\_\_\_

FRONT TIRES:	REAR TIRES:	RADIO/BATTERIES:	MOTOR:
FRONT <u>Schu. Spike</u>	REAR <u>Schu. Spike</u>	RADIO <u>Futaba 3VCS</u>	MOTOR <u>Checkpoint</u>
INSERT <u>BB Soft</u>	INSERT <u>BB Soft</u>	SERVO <u>Futaba 9451</u>	WIND <u>11 x 2</u>
WHEEL <u>BB W14</u>	WHEEL <u>Std.</u>	ESC <u>Novak GTX</u>	BRUSHES <u>Std.</u>
COMPOUND <u>Yellow</u>	COMPOUND <u>Yellow</u>	ESC (SETTING) <u>Profile 3</u>	SPRINGS <u>Std</u>
ADDITIVE _____	ADDITIVE _____	BATTERIES <u>GP 3700</u>	PINON/SPUR <u>20 x 78</u>