

BJ4 WORLDS EDITION SET-UP SHEET:

DRIVER Ryan Cavalieri

DATE August 6-14, 2005

TRACK/CITY AF Model Rings - Collegno, Italy

EVENT IFMAR Offroad World Championships

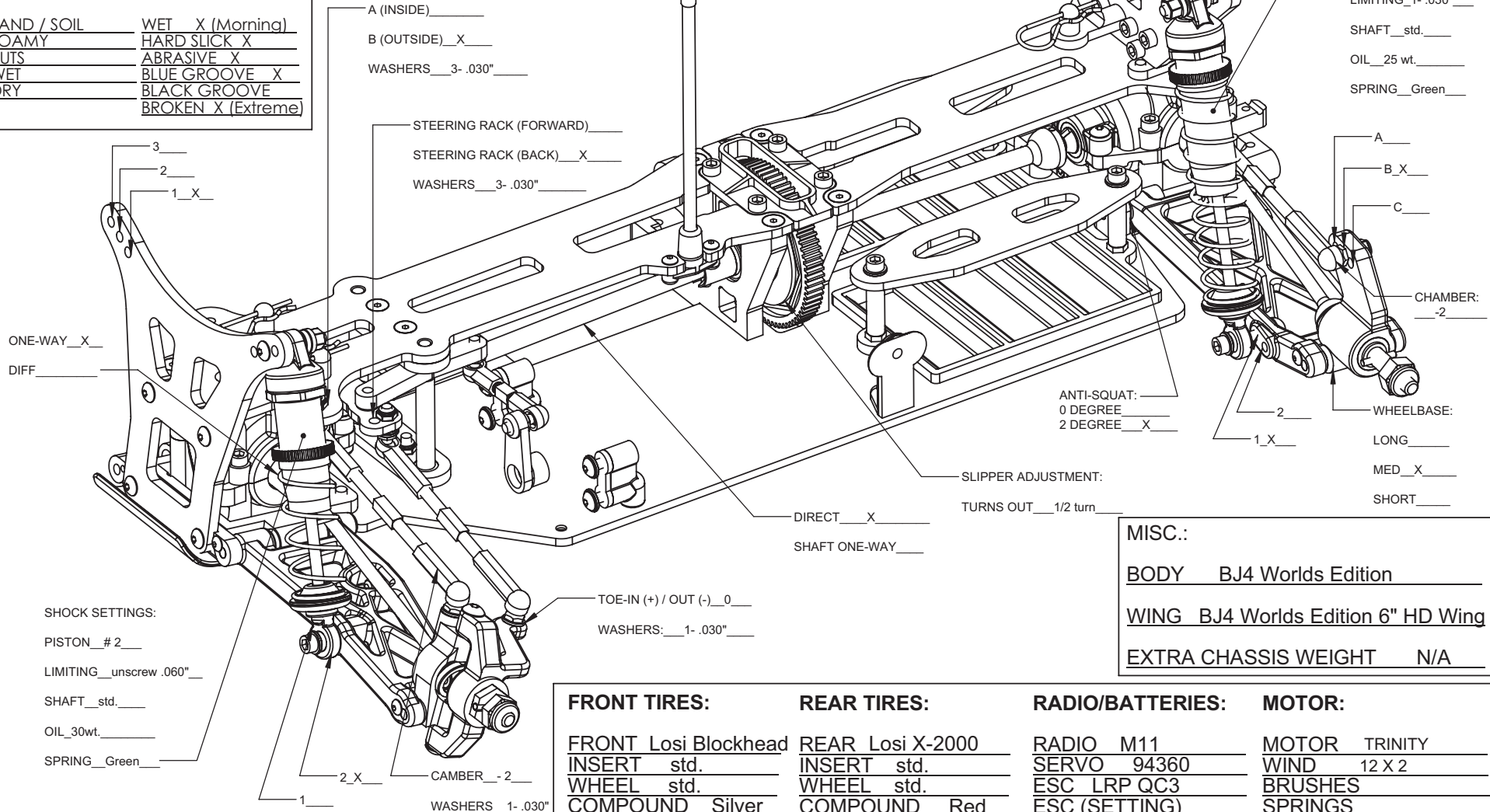
NOTES: 2005-2006 IFMAR WORLD CHAMPION

NO SWAY BAR USED



TRACK CONDITIONS:

SOFT SURFACES:	HARD SURFACES:
SAND / SOIL _____	WET <u>X</u> (Morning)
LOAMY _____	HARD SLICK <u>X</u>
RUTS _____	ABRASIVE <u>X</u>
WET _____	BLUE GROOVE <u>X</u>
DRY _____	BLACK GROOVE _____
	BROKEN <u>X</u> (Extreme)



MISC.:

BODY BJ4 Worlds Edition

WING BJ4 Worlds Edition 6" HD Wing

EXTRA CHASSIS WEIGHT N/A

FRONT TIRES:	REAR TIRES:	RADIO/BATTERIES:	MOTOR:
FRONT <u>Losi Blockhead</u>	REAR <u>Losi X-2000</u>	RADIO <u>M11</u>	MOTOR <u>TRINITY</u>
INSERT <u>std.</u>	INSERT <u>std.</u>	SERVO <u>94360</u>	WIND <u>12 X 2</u>
WHEEL <u>std.</u>	WHEEL <u>std.</u>	ESC <u>LRP QC3</u>	BRUSHES _____
COMPOUND <u>Silver</u>	COMPOUND <u>Red</u>	ESC (SETTING) _____	SPRINGS _____
ADDITIVE <u>n/a</u>	ADDITIVE <u>n/a</u>	BATTERIES <u>TRINITY</u>	PINON/SPUR <u>23 x 78</u>