

BJ4 WORLDS EDITION SET-UP SHEET:

DRIVER Peter Pinisch

DATE January 6-7th 2007

TRACK/CITY Indoor - Carpet

EVENT Austria - Winter Champs

NOTES:

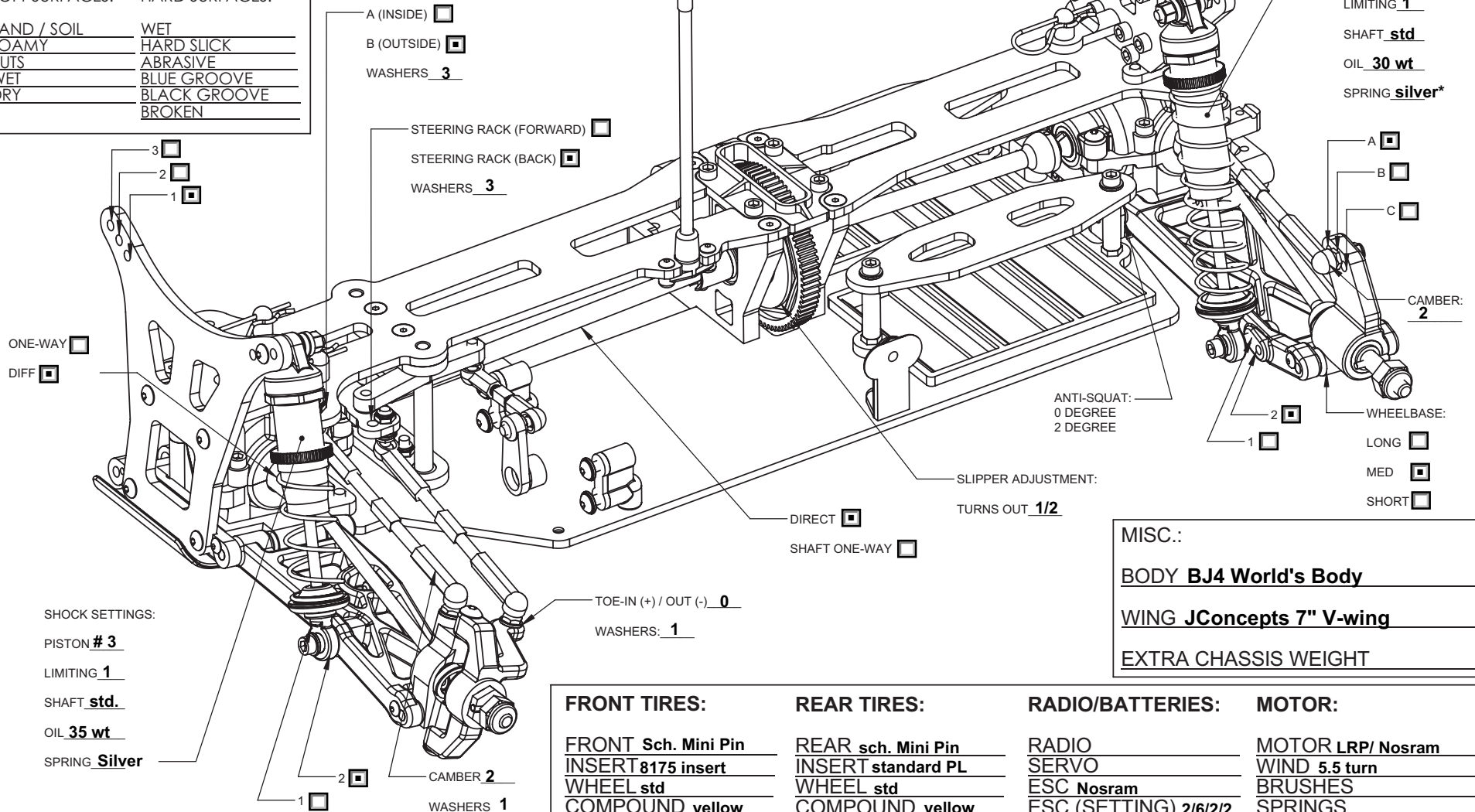
Standard inside camber link with 2 washers.
Custom made 2mm front sway bar. * Truck front silver spring in rear.



TRACK CONDITIONS:

SOFT SURFACES: HARD SURFACES:

SAND / SOIL	WET
LOAMY	HARD SLICK
RUTS	ABRASIVE
WET	BLUE GROOVE
DRY	BLACK GROOVE
	BROKEN



FRONT TIRES:

FRONT Sch. Mini Pin
INSERT 8175 insert
WHEEL std
COMPOUND yellow
ADDITIVE n/a

REAR TIRES:

REAR sch. Mini Pin
INSERT standard PL
WHEEL std
COMPOUND yellow
ADDITIVE

RADIO/BATTERIES:

RADIO
SERVO
ESC Nosram
ESC (SETTING) 2/6/2/2
BATTERIES Reedy 4200

MOTOR:

MOTOR LRP/ Nosram
WIND 5.5 turn
BRUSHES
SPRINGS
PINON/SPUR 16 / 81