



D815 Tessmann Worlds Edition

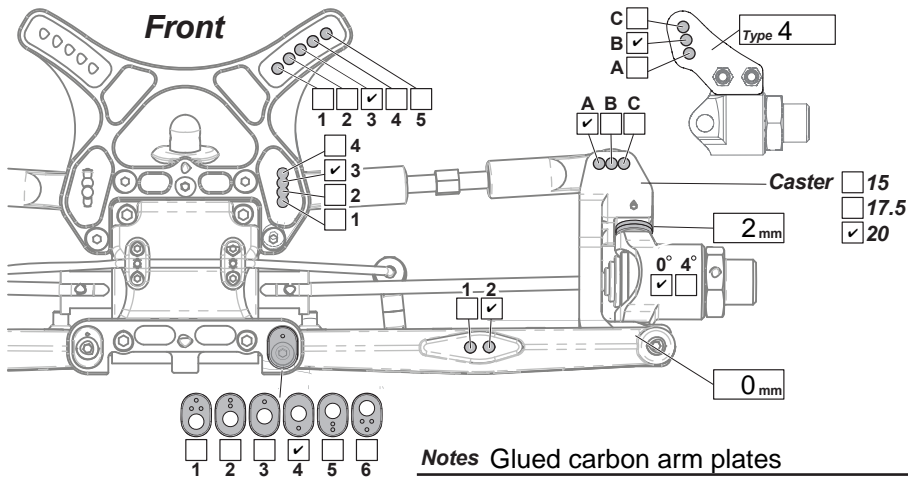
Driver Ty Tessmann

Date June 21/2015

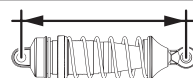
Track Silver Dollar Raceway

Event ROAR Nats

Track Condition Smooth, medium grip, shiny service, high speed, with large jumps.

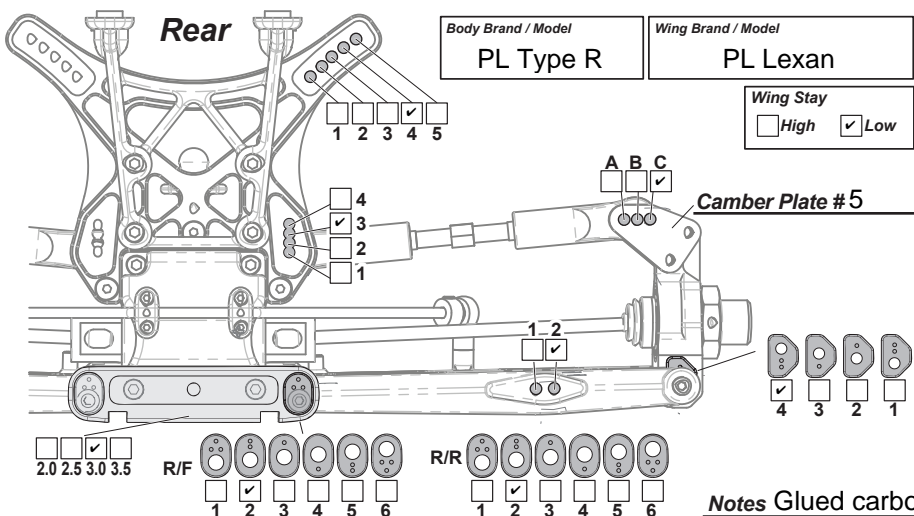


Ride Height 27 mm
 Camber Angle -1°
 Toe Angle .5 out°
 Sway Bar 2.2 mm
 Shock Length 105.5 mm

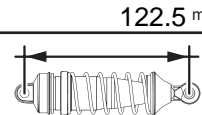


Front Shocks	
Oil weight	Losi 47.5 wt
Piston	5X1.5 mm
Bladder	Bellows
Spring	HB Gold

Notes Glued carbon arm plates

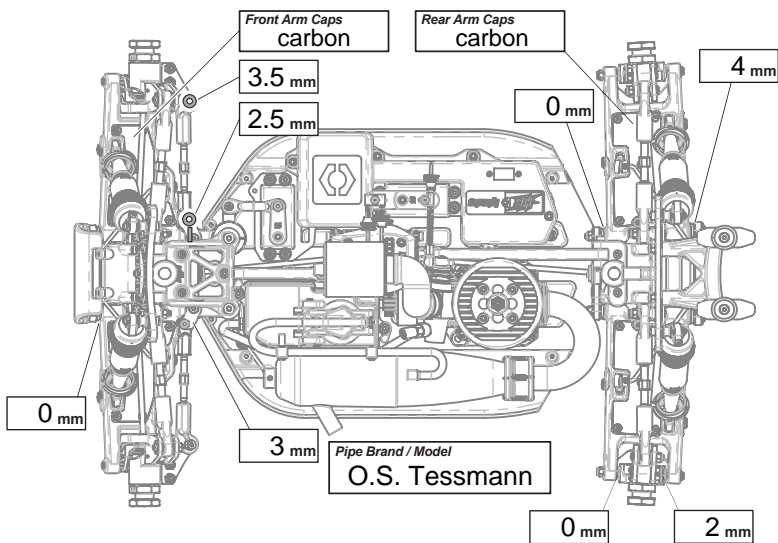


Ride Height 27 mm
 Camber Angle -1°
 Sway Bar 2.6 mm
 Shock Length 122.5 mm



Rear Shocks	
Oil weight	Losi 42.5 wt
Piston	5X1.5 mm
Bladder	Bellows
Spring	HB Blue

Notes Glued carbon arm plates



Engine	
Brand	O.S. Tessmann
Spur gear	Clutch Bell
48	13
Clutch Shoes	3 Alum
Clutch Springs	2X1.0/ 1X1.1
Glow Plug	P3
Glow Fuel	VP Tessmann

Tires	Front	Rear
Brand	Proline	Proline
Compound	X1	X1
Insert	PL	PL
Wheel	PL	PL
Notes		

Diff Oils	Front	Center	Rear
Brand	Losi	Losi	Losi
Oil Weight / Grade	10k	7k	3k

Notes