

Driver _____ Date _____ Track _____ Event _____

Track Condition

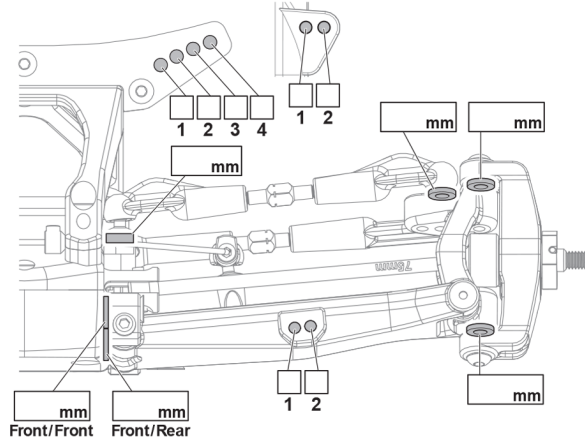
Temperature

FRONT

FRONT KICK-UP



Front/Front	Front/Rear	Kick-up
•	•	10°
••	•	9°
•••	•	8°
•	••	11°
••	••	10°
•••	••	9°
•	•••	12°
••	•••	11°
•••	•••	10°



FRONT SHOCKS

Oil wt.	_____
Piston	_____
Bladder	_____
Spring	_____
Notes	_____

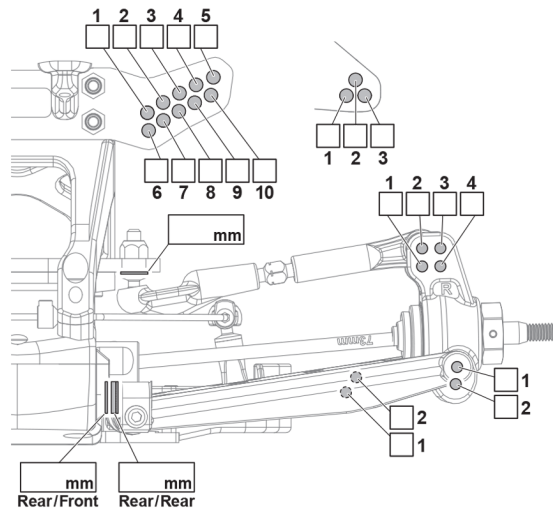
Ride Height	_____ mm
Droop	_____ mm
Camber Angle	_____ °
Toe Angle	_____ °
Sway Bar	_____ mm
Shock Length	_____ mm

REAR

REAR ANTI-SQUAT



Rear/Front	Rear/Rear	Anti-squat
•	•	0°
•	••	1°
•	•••	2°
••	••	0°
••	•••	1°
•••	•••	0°
•••	••	-1°



REAR SHOCKS

Oil wt.	_____
Piston	_____
Bladder	_____
Spring	_____
Notes	_____

Ride Height	_____ mm
Droop	_____ mm
Camber Angle	_____ °
Toe Angle	_____ °
Sway Bar	_____ mm
Shock Length	_____ mm

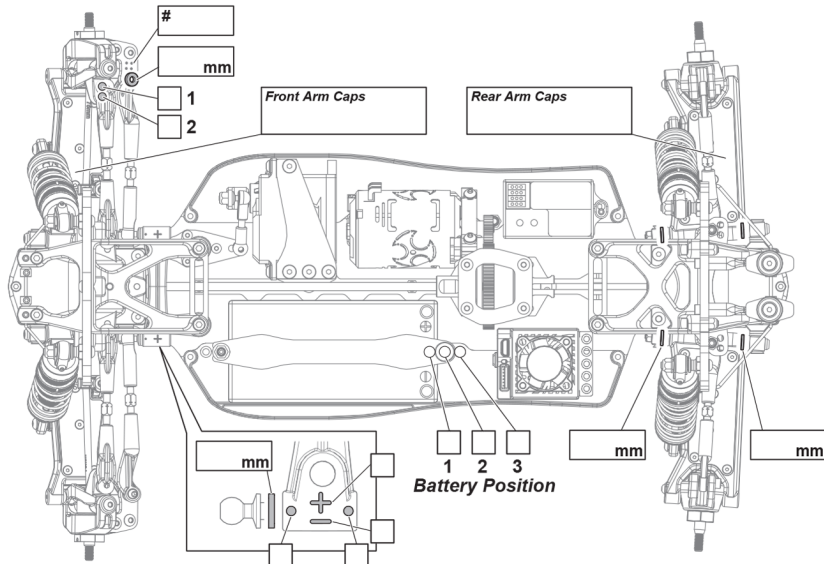
TIRES

	Front	Rear
Tire	_____	_____
Insert	_____	_____

Battery _____
 Motor _____
 Gearing _____ / _____
 Body / Wing _____ / _____

DIFF OIL

	Front	Center	Rear
Brand	_____	_____	_____
Oil wt.	_____	_____	_____



REAR TOE-IN

R/F	R/R	Toe-in
0.5mm	0.5mm	2.0°
0.5mm	1.0mm	2.5°
0.5mm	1.5mm	3.0°
0.5mm	2.0mm	3.5°

Notes: _____

Gear Ratio = $\frac{\text{Spur Gear}}{\text{Pinion Gear}} \times 3.3077$