

Driver \_\_\_\_\_ Date \_\_\_\_\_ Track \_\_\_\_\_ Event \_\_\_\_\_

### Track Condition

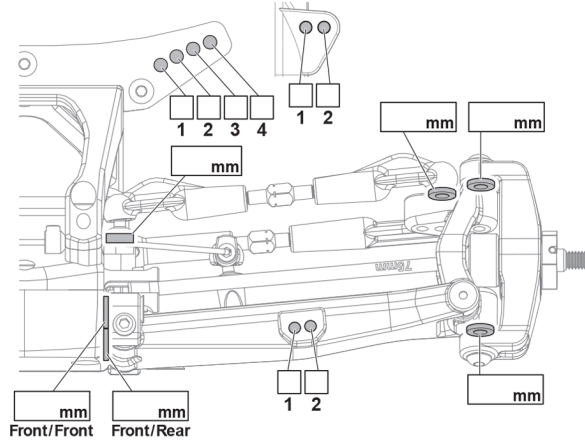
### Temperature

## FRONT

### FRONT KICK-UP



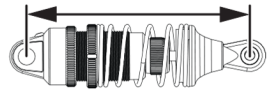
Front/Front	Front/Rear	Kick-up
•	•	10°
••	•	9°
•••	•	8°
•	••	11°
••	••	10°
•••	••	9°
•	•••	12°
••	•••	11°
•••	•••	10°



### FRONT SHOCKS

Oil wt.	_____
Piston	_____
Bladder	_____
Spring	_____
Notes	_____

- Ride Height \_\_\_\_\_ mm
- Droop \_\_\_\_\_ mm
- Camber Angle \_\_\_\_\_ °
- Toe Angle \_\_\_\_\_ °
- Sway Bar \_\_\_\_\_ mm
- Shock Length \_\_\_\_\_ mm

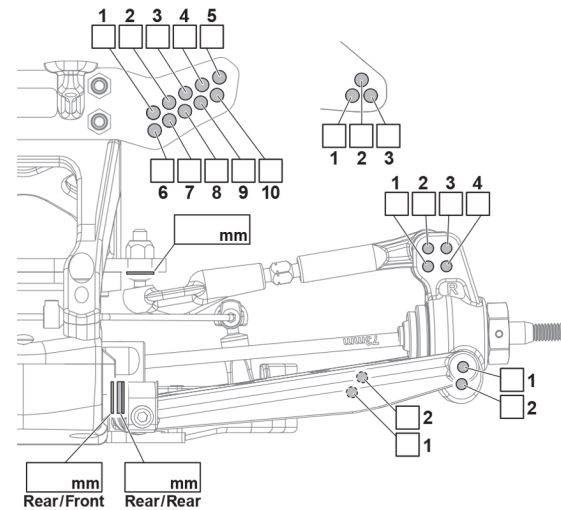


## REAR

### REAR ANTI-SQUAT



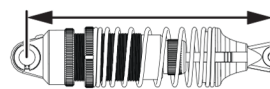
Rear/Front	Rear/Rear	Anti-squat
•	•	0°
•	••	1°
•	•••	2°
••	••	0°
••	•••	1°
•••	•••	0°
•••	••	-1°



### REAR SHOCKS

Oil wt.	_____
Piston	_____
Bladder	_____
Spring	_____
Notes	_____

- Ride Height \_\_\_\_\_ mm
- Droop \_\_\_\_\_ mm
- Camber Angle \_\_\_\_\_ °
- Toe Angle \_\_\_\_\_ °
- Sway Bar \_\_\_\_\_ mm
- Shock Length \_\_\_\_\_ mm



### TIRES

	Front	Rear
Tire	_____	_____
Insert	_____	_____

Battery \_\_\_\_\_

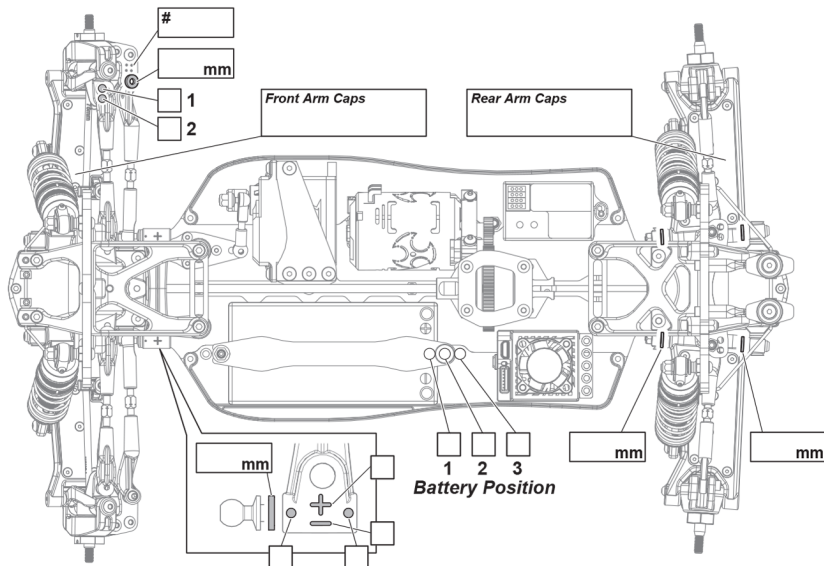
Motor \_\_\_\_\_

Gearing \_\_\_\_\_ / \_\_\_\_\_

Body / Wing \_\_\_\_\_ / \_\_\_\_\_

### DIFF OIL

	Front	Center	Rear
Brand	_____	_____	_____
Oil wt.	_____	_____	_____



### REAR TOE-IN

R/F	R/R	Toe-in
0.5mm	0.5mm	2.0°
0.5mm	1.0mm	2.5°
0.5mm	1.5mm	3.0°
0.5mm	2.0mm	3.5°

Notes: \_\_\_\_\_  
 \_\_\_\_\_  
 \_\_\_\_\_

Gear Ratio =  $\frac{\text{Spur Gear}}{\text{Pinion Gear}} \times 3.3077$