

Name Ty Tessmann

Date Aug14/2016

Event R.O.A.R Nats

Track Hobby Plex, Nebraska

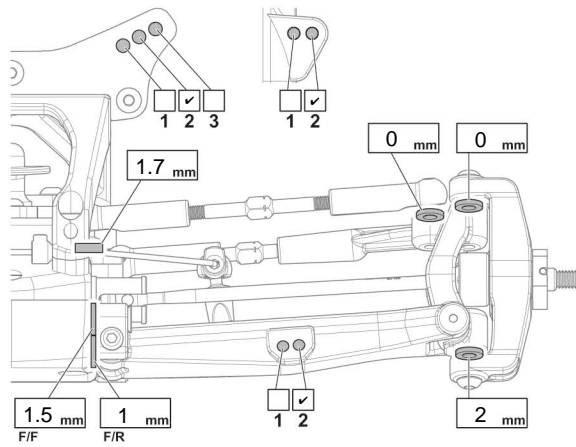
Track Condition Med bite, slightly bumpy, large jumps with many drop offs

Front

Front kick-up



F/F	F/R	Kick-UP	
•	•	10°	<input checked="" type="checkbox"/>
••	•	9°	
•••	•	8°	
•	••	11°	
••	••	10°	
•••	••	9°	
•	•••	12°	
••	•••	11°	
•••	•••	10°	



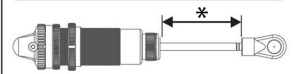
Arm Plates carbon/ stiff arms

Ride Height	21	mm
Camber Angle	-1	°
Toe Angle	0	°
Sway Bar	copper	

Shocks

Oil wt.	losi 42.5
Piston	4x1.35
Spring	HB Gold
*Shock Length	23 mm

Notes 2mm inside

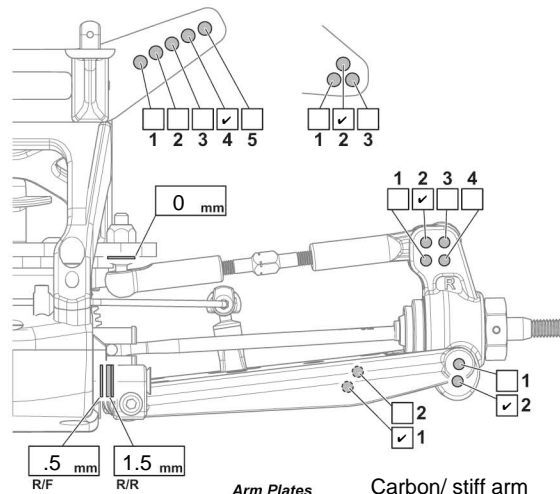


Rear

Rear anti-squat



R/F	R/R	Anti-squat	
•	•	0°	
•	••	1°	
•	•••	2°	
••	••	0°	
••	•••	1°	<input checked="" type="checkbox"/>
•••	•••	0°	



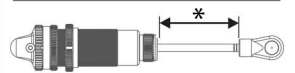
Arm Plates Carbon/ stiff arm

Ride Height	21	mm
Camber Angle	-1	°
Toe Angle	0	°
Sway Bar	silver	

Shocks

Oil wt.	losi 37.5
Piston	4x1.35
Spring	HB Yellow
*Shock Length	30 mm

Notes 1mm inside



Tires

	Front	Rear
Tire	Proline Electron	Proline Electron
Insert	Closed Cell	Closed Cell

Battery Shvty / Saddle

Position Front / Mid / Back

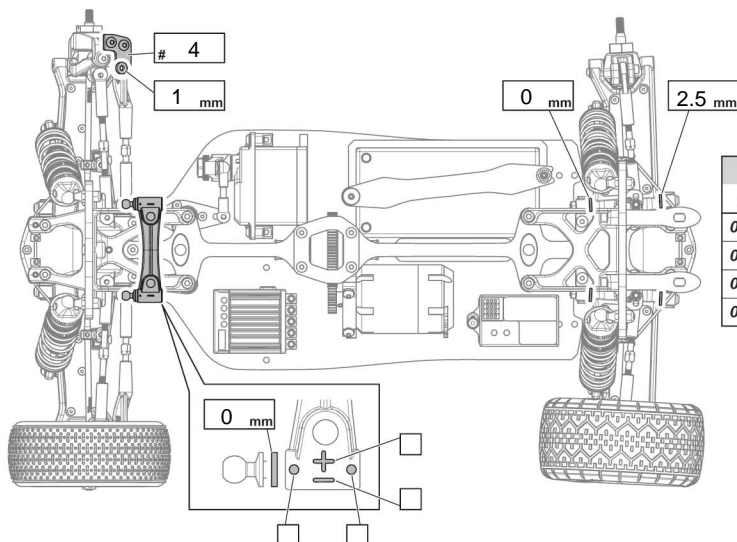
Motor Orion 5.5

Gearing 21 / stk

Body / Wing PL / PL

Diff Oils

	Front	Center	Rear
Brand	AE		AE
Oil wt.	7K		3K



Rear toe-in			
R/F	R/R	Toe-in	
0.5mm	0.5mm	2.0°	
0.5mm	1.0mm	2.5°	
0.5mm	1.5mm	3.0°	<input checked="" type="checkbox"/>
0.5mm	2.0mm	3.5°	

Wing Height:

- High
- Medium
- Low

Notes HB aluminum steering rack, slipper with one pad each side