

Name Ty Tessmann

Date Jan. 2014

Event Reedy Race

Track OCRC

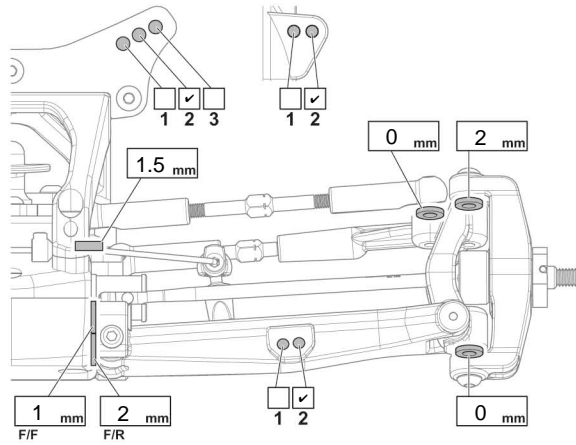
Track Condition Clay, damp, medium bite, smooth, medium bumps

Front

Front kick-up



F/F	F/R	Kick-UP	
•	•	10°	
••	•	9°	
•••	•	8°	
•	••	11°	
••	••	10°	
•••	••	9°	
•	•••	12°	
••	•••	11°	✓
•••	•••	10°	



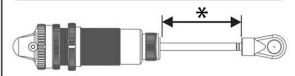
Arm Plates glued carbon

Ride Height	22	mm
Camber Angle	1	°
Toe Angle	0	°
Sway Bar	none	

Shocks

Oil wt.	37.5
Piston	2 x 1.6
Spring	xgear yellow
*Shock Length	24.3 mm

Notes no bladder, 0% rebound

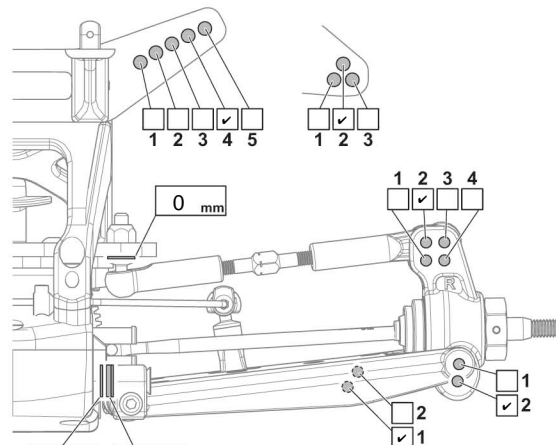


Rear

Rear anti-squat



R/F	R/R	Anti-squat	
•	•	0°	
•	••	1°	
•	•••	2°	
••	••	0°	
••	•••	1°	✓
•••	•••	0°	



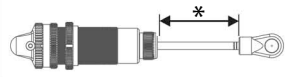
Arm Plates glued carbon

Ride Height	22	mm
Camber Angle	1	°
Toe Angle	3.5	°
Sway Bar	black 1.4	

Shocks

Oil wt.	32.5
Piston	2 x 1.7
Spring	xgear white
*Shock Length	32 mm

Notes no bladder, 0% rebound



Tires

	Front	Rear
Tire	PL ion MC	PL ion MC
Insert	PL closed cell	PL closed cell

Battery Shvty / Saddle

Position Front / Mid / Back

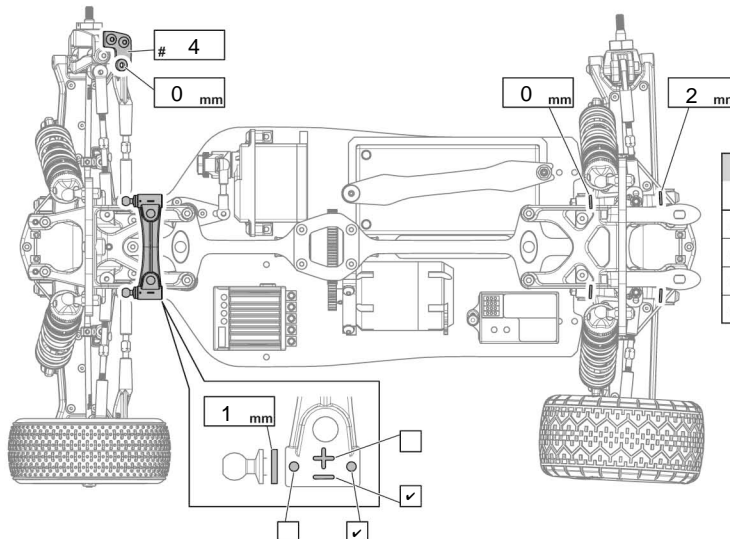
Motor Orion 5.5

Gearing 21 / stock

Body / Wing PL type R / HB

Diff Oils

	Front	Center	Rear
Brand	LOSI	LOSI	LOSI
Oil wt.	7K	100K	3K



Rear toe-in			
R/F	R/R	Toe-in	
0.5mm	0.5mm	2.0°	
0.5mm	1.0mm	2.5°	
0.5mm	1.5mm	3.0°	
0.5mm	2.0mm	3.5°	✓

Wing Height:

- High
- Medium
- Low

Notes