

Name Ty Tessmann

Date Sept 2013

Event IFMAR 1/10 Worlds

Track Silver Dollar Raceway

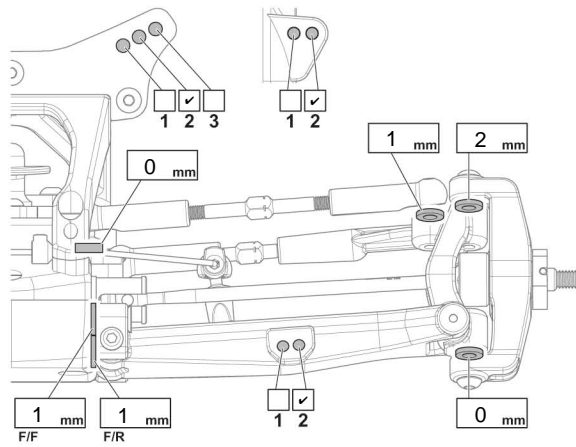
Track Condition High Speed, Open Layout, Sugared, High bite,

### Front

#### Front kick-up



F/F	F/R	Kick-UP	
.	.	10°	
..	.	9°	
...	.	8°	
.	..	11°	
..	..	10°	
...	..	9°	
.	...	12°	
..	...	11°	
...	...	10°	✓



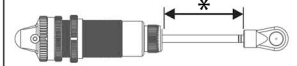
Arm Plates

Glued plastic

Ride Height	20	mm
Camber Angle	-1	°
Toe Angle	0	°
Sway Bar	1.3	

#### Shocks

Oil wt.	Losi 50
Piston	4x1.35
Spring	Xgear orange
*Shock Length	mm
Threaded to top line	
Notes No bladder, 0 rebound	
4mm limiter inside shock	

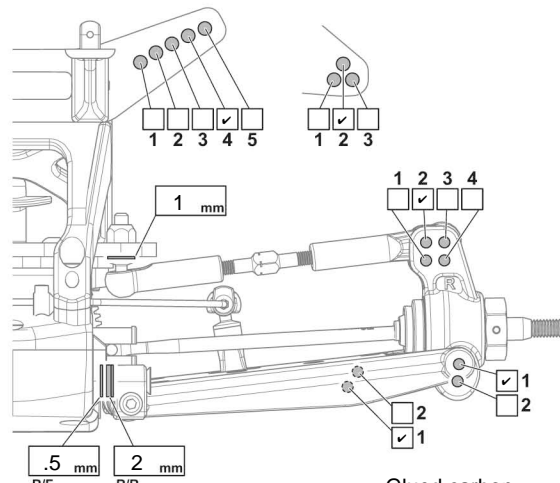


### Rear

#### Rear anti-squat



R/F	R/R	Anti-squat	
.	.	0°	
.	..	1°	✓
.	...	2°	
..	..	0°	
..	...	1°	
...	...	0°	



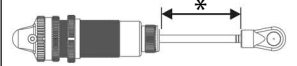
Arm Plates

Glued carbon

Ride Height	19.5	mm
Camber Angle	1	°
Toe Angle		°
Sway Bar	1.2	

#### Shocks

Oil wt.	Losi 35
Piston	4x1.35
Spring	Xgear yellow
*Shock Length	mm
Threaded to middle line	
Notes No bladder, 0 rebound	
4mm limiter inside shock	



#### Tires

	Front	Rear
Tire	Proline X2 Scrubs	Proline X2 Suburb 2.0
Insert	Proline White	Proline White

Battery Shvrtly / Saddle

Position Front / Mid / Back

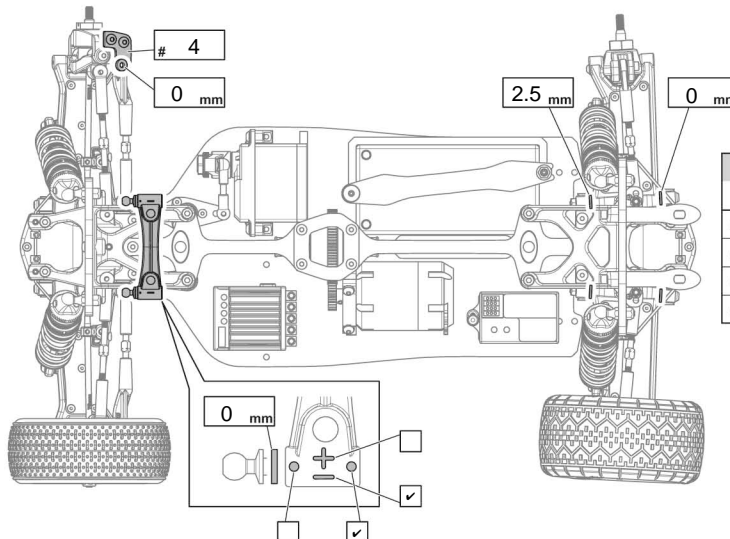
Motor Orion 5.5

Gearing 21 / Stock

Body / Wing PL Type R / HB Stock

#### Diff Oils

	Front	Center	Rear
Brand	Losi	KYO	losi
Oil wt.	20k	300k	7k



Rear toe-in			
R/F	R/R	Toe-in	
0.5mm	0.5mm	2.0°	
0.5mm	1.0mm	2.5°	
0.5mm	1.5mm	3.0°	
0.5mm	2.0mm	3.5°	✓

#### Wing Height:

- High
- Medium
- Low

Notes Diffs 100% full.