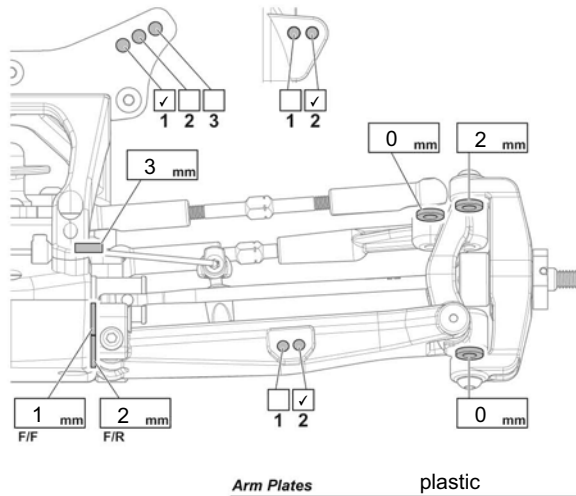


Name Ty tessmann Date 2014 Event Track Indoor carpet
Track Condition Carpet, High bite.

Front

Front kick-up			
F/F	F/R	Kick-UP	
•	•	10°	
••	•	9°	
•••	•	8°	✓
•	••	11°	
••	••	10°	
•••	••	9°	
•	•••	12°	
••	•••	11°	
•••	•••	10°	

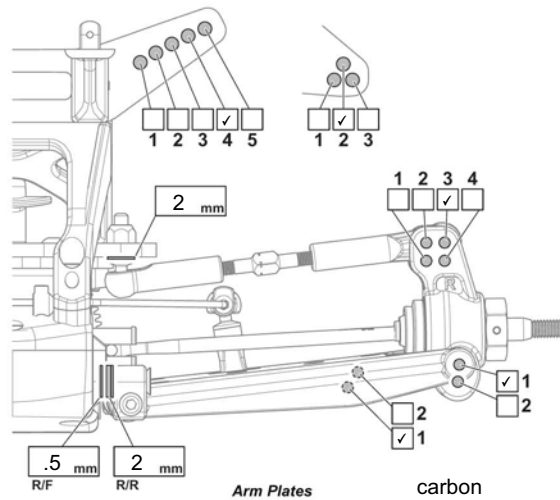


Ride Height	21 mm
Camber Angle	-1°
Toe Angle	.5 out°
Sway Bar	black

Shocks	
Oil wt.	Losi 60
Piston	1.3x4
Spring	HB Gold
*Shock Length	23 mm
Notes 2mm limiter inside	
No bladder	

Rear

Rear anti-squat			
R/F	R/R	Anti-squat	
•	•	0°	
•	••	1°	
•	•••	2°	✓
••	••	0°	
••	•••	1°	
•••	•••	0°	



Ride Height	21 mm
Camber Angle	-1°
Toe Angle	3.5°
Sway Bar	black

Shocks	
Oil wt.	Losi 35
Piston	1.3x4
Spring	HB Gold
*Shock Length	29.5 mm
Notes 1mm inside	
no bladder	

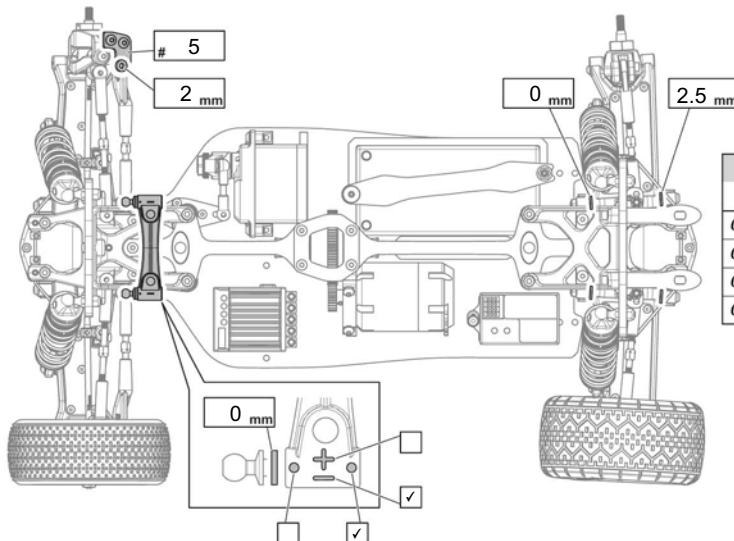
Tires

	Front	Rear
Tire	Proline Pinpoint z3	Proline Pinpoint z3
Insert	Standard white	Standard white

Battery Shvity / Saddle
Position Front / Mid / Back
Motor Orion 5.5
Gearing 21 / 72
Body / Wing Type-R / Stock

Diff Oils

	Front	Center	Rear
Brand	Losi	Losi	Losi
Oil wt.	15K	50K	3K



Rear toe-in			
R/F	R/R	Toe-in	
0.5mm	0.5mm	2.0°	
0.5mm	1.0mm	2.5°	
0.5mm	1.5mm	3.0°	
0.5mm	2.0mm	3.5°	✓

Wing Height:

- High
- Medium
- Low

Notes Outside row of pins on front tire removed - Avid chassis with plastic front weight and brass rear weight.