

Name Ty Tessmann

Date Mar 2014

Event Cactus classic

Track SRS Raceway

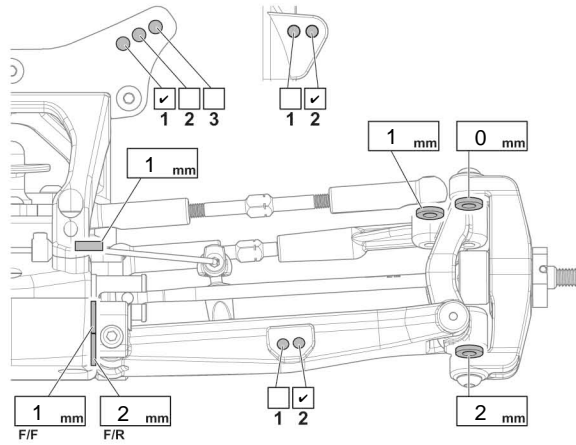
Track Condition High Speed, High bite (sugared), Tight, Rough spots(edy)

## Front

### Front kick-up



F/F	F/R	Kick-UP	
.	.	10°	
..	.	9°	
...	.	8°	
.	..	11°	
..	..	10°	
...	..	9°	
.	...	12°	
..	...	11°	
...	...	10°	✓



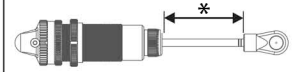
Arm Plates

Glued plastic

Ride Height	22	mm
Camber Angle	-1	°
Toe Angle	0	°
Sway Bar	1.4	

### Shocks

Oil wt.	Losi 55
Piston	4x1.35
Spring	Xgear orange
*Shock Length	22.5 mm
2mm limiter inside shock	
Notes no bladder	
0% rebound	

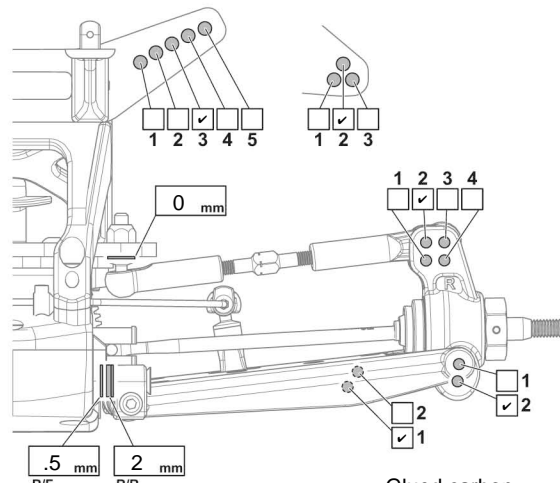


## Rear

### Rear anti-squat



R/F	R/R	Anti-squat	
.	.	0°	
.	..	1°	
.	...	2°	✓
..	..	0°	
..	...	1°	
...	...	0°	



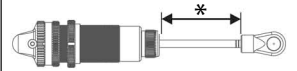
Arm Plates

Glued carbon

Ride Height	22	mm
Camber Angle	-.5	°
Toe Angle		°
Sway Bar	1.4	

### Shocks

Oil wt.	Losi 40
Piston	4x1.35
Spring	Xgear yellow
*Shock Length	30 mm
no limiters inside shock	
Notes no bladder	
0% rebound	



### Tires

	Front	Rear
Tire	PL Transitor X2 VTR	PL Suburb X2 VTR
Insert	Closed cell	Closed Cell

Battery Shvty / Saddle

Position Front / Mid / Back

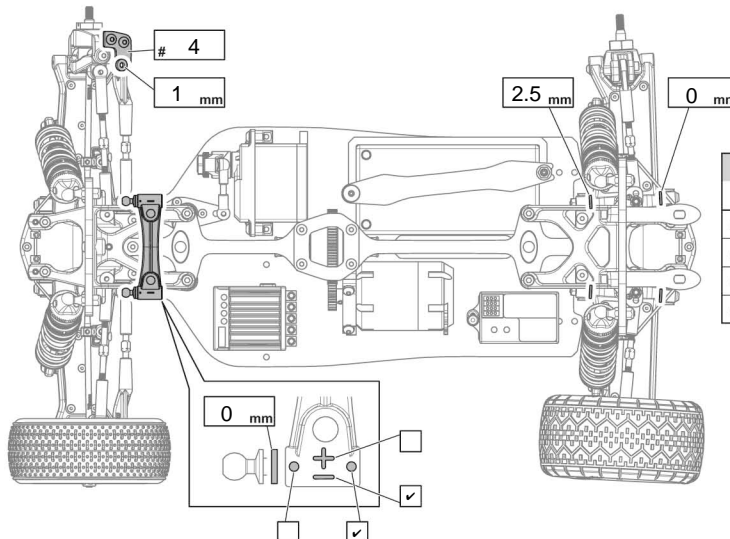
Motor Orion 5.5

Gearing 21 / Stock

Body / Wing Type R / hb stock

### Diff Oils

	Front	Center	Rear
Brand	Losi	kyo	Losi
Oil wt.	15k	100k	5



### Rear toe-in

R/F	R/R	Toe-in	
0.5mm	0.5mm	2.0°	
0.5mm	1.0mm	2.5°	
0.5mm	1.5mm	3.0°	
0.5mm	2.0mm	3.5°	✓

### Wing Height:

- High
- Medium
- Low

Notes Diffs 100% full.