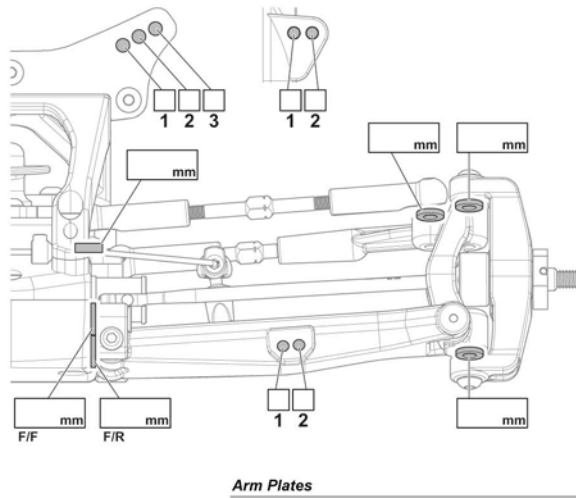


Name \_\_\_\_\_ Date \_\_\_\_\_ Event \_\_\_\_\_ Track \_\_\_\_\_

Track Condition \_\_\_\_\_

## Front

Front kick-up		
F/F	F/R	Kick-UP
•	•	10°
••	•	9°
•••	•	8°
•	••	11°
••	••	10°
•••	••	9°
•	•••	12°
••	•••	11°
•••	•••	10°



Ride Height \_\_\_\_\_ mm

Camber Angle \_\_\_\_\_ °

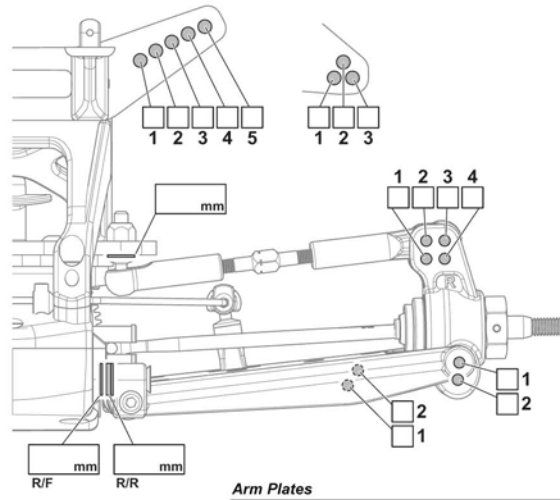
Toe Angle \_\_\_\_\_ °

Sway Bar \_\_\_\_\_

Shocks	
Oil wt.	_____
Piston	_____
Spring	_____
*Shock Length	_____ mm
Notes	_____

## Rear

Rear anti-squat		
R/F	R/R	Anti-squat
•	•	0°
•	••	1°
•	•••	2°
••	••	0°
••	•••	1°
•••	•••	0°



Ride Height \_\_\_\_\_ mm

Camber Angle \_\_\_\_\_ °

Toe Angle \_\_\_\_\_ °

Sway Bar \_\_\_\_\_

Shocks	
Oil wt.	_____
Piston	_____
Spring	_____
*Shock Length	_____ mm
Notes	_____

## Tires

Tires	
Front	Rear
Tire _____	_____
Insert _____	_____

Battery \_\_\_\_\_ Shorty / Saddle \_\_\_\_\_

Position \_\_\_\_\_ Front / Mid / Back \_\_\_\_\_

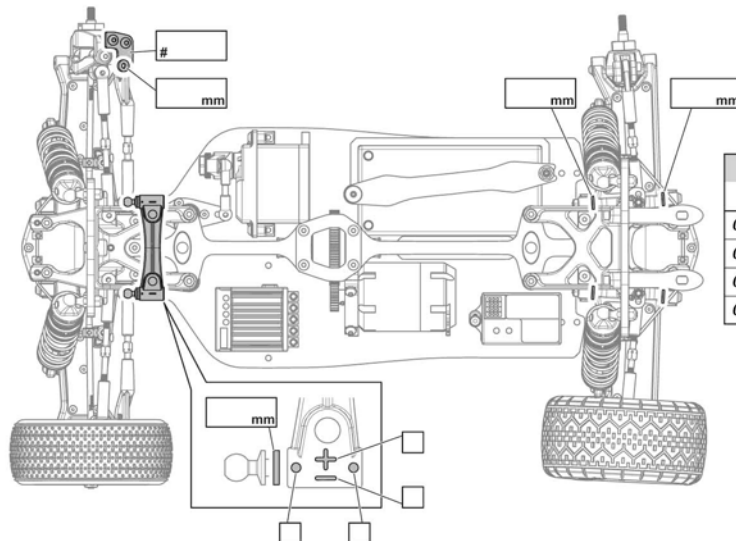
Motor \_\_\_\_\_

Gearing \_\_\_\_\_ / \_\_\_\_\_

Body / Wing \_\_\_\_\_ / \_\_\_\_\_

## Diff Oils

	Front	Center	Rear
Brand _____	_____	_____	_____
Oil wt. _____	_____	_____	_____



Rear toe-in		
R/F	R/R	Toe-in
0.5mm	0.5mm	2.0°
0.5mm	1.0mm	2.5°
0.5mm	1.5mm	3.0°
0.5mm	2.0mm	3.5°

Wing Height:

High

Medium

Low

Notes \_\_\_\_\_