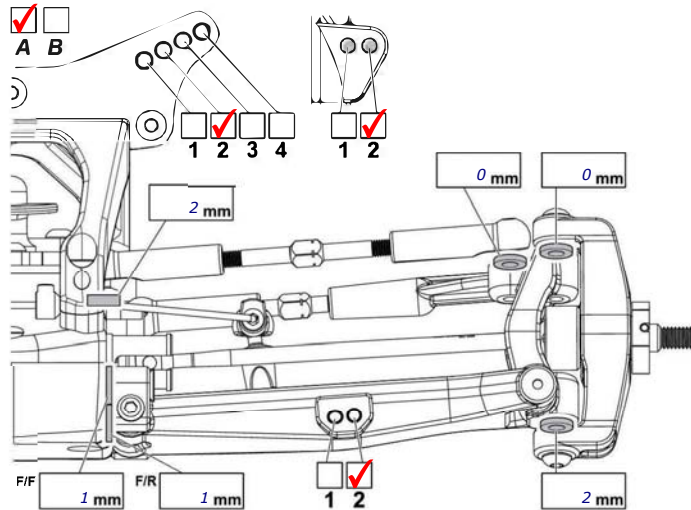


Track Condition **Carpet, Smooth, Technical**

## Front

| Front kick-up |     |         |
|---------------|-----|---------|
| F/F           | F/R | Kick-UP |
| ○             | ○   | 10°     |
| ○○            | ○   | 9°      |
| ○○○           | ○   | 8°      |
| ○             | ○○  | 11°     |
| ○○            | ○○  | 10°     |
| ○○○           | ○○  | 9°      |
| ○             | ○○○ | 12°     |
| ○○            | ○○○ | 11°     |
| ○○○           | ○○○ | 10°     |



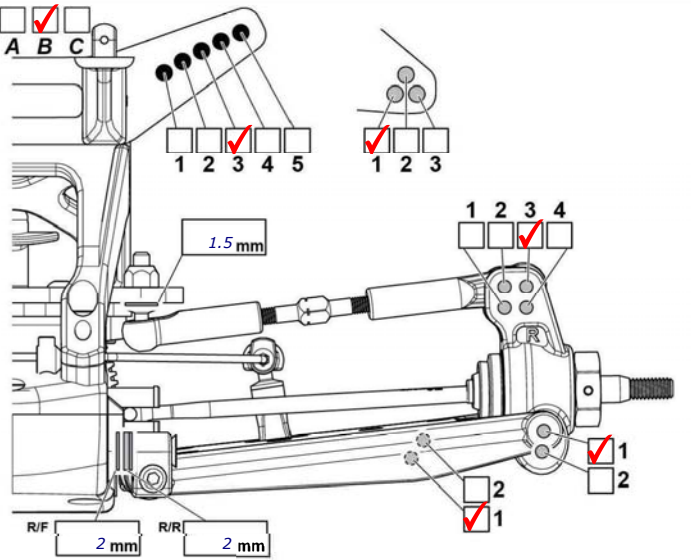
| Front Shocks |   |
|--------------|---|
| Oil wt.      | XTR 70wt                                      |
| Piston       | 2x1.6 Tapered                                 |
| Spring       | Red   |
| Notes        | 2mm limiter, o-ring outside limiter, emulsion |

|              |       |
|--------------|-------|
| Ride Height  | 13 mm |
| Camber Angle | 1°    |
| Toe Angle    | +0.5° |
| Sway Bar     | 2.0mm |
| Shock Length | 23 mm |



## Rear

| Rear anti-squat |     |            |
|-----------------|-----|------------|
| R/F             | R/R | Anti-squat |
| ○               | ○   | 0°         |
| ○               | ○○  | 1°         |
| ○               | ○○○ | 2°         |
| ○○              | ○○  | 0°         |
| ○○              | ○○○ | 1°         |
| ○○○             | ○○○ | 0°         |



| Rear Shocks |                       |
|-------------|-----------------------|
| Oil wt.     | XTR 40wt              |
| Piston      | 2x1.7 Tapered         |
| Spring      | Yellow                |
| Notes       | Emulsion, 1mm limiter |

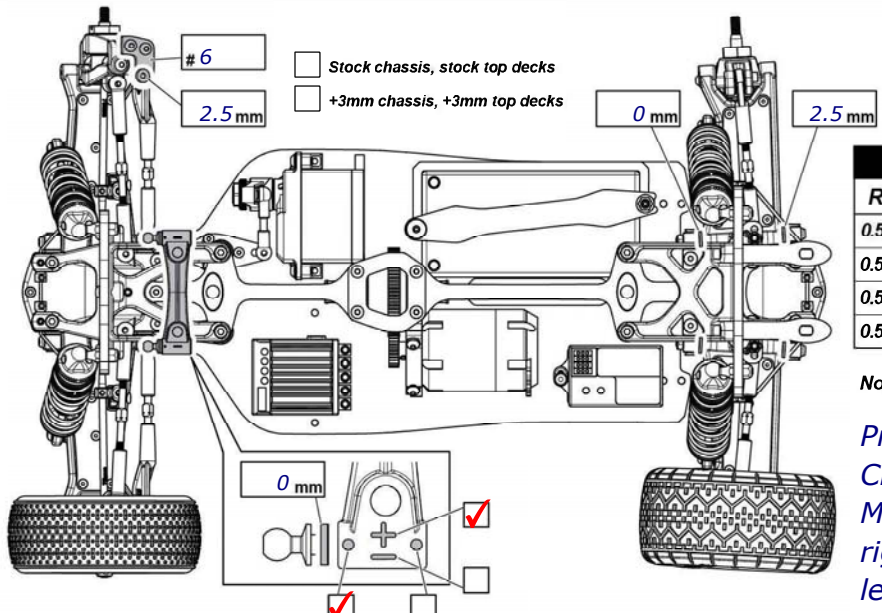
|              |         |
|--------------|---------|
| Ride Height  | 13 mm   |
| Camber Angle | 2°      |
| Toe Angle    | °       |
| Sway Bar     | 1.8mm   |
| Shock Length | 31.8 mm |



| Tires                        |                         |
|------------------------------|-------------------------|
| Front                        | Rear                    |
| Tire <b>Balisitc MiniPin</b> | <b>Balistic MiniPin</b> |
| Insert <b>Medium Blue</b>    | <b>Medium Blue</b>      |

Battery  Shorty  Saddle  
 Position  Front  Mid  Back  
 Motor **Orion 5.5T**  
 Gearing **21 | STD**  
 Body / Wing **Punisher | HB STD**

| Diff Oils |       |        |      |
|-----------|-------|--------|------|
|           | Front | Center | Rear |
| Brand     | XTR   |        | XTR  |
| Oil wt.   | 30k   | Putty  | 20k  |



| R/F   | R/R   | Toe-in |
|-------|-------|--------|
| 0.5mm | 0.5mm | 2.0°   |
| 0.5mm | 1.0mm | 2.5°   |
| 0.5mm | 1.5mm | 3.0°   |
| 0.5mm | 2.0mm | 3.5°   |

Notes  
**Prototype Chassi +4mm, Motor front right, Battery left rear**