

Driver Jason De Monto

Date April 2016

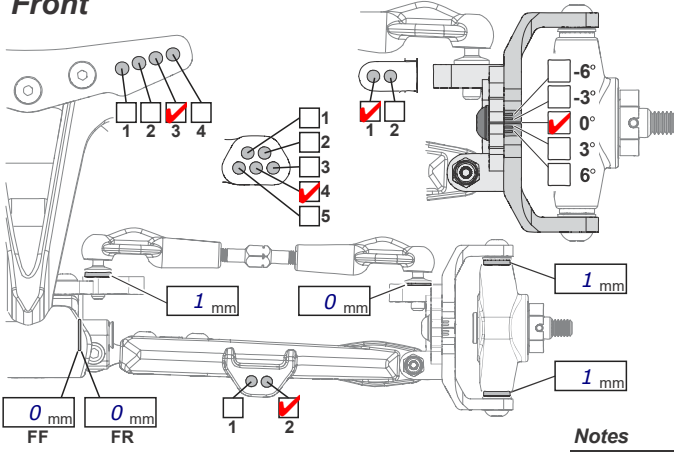
Track SDRC

Event JBRL Round 2

Composition: Astroturf Clay Carpet Dirt Grass Wood  
Other:

Traction: Low Medium High Dry  
 Surface: Bumpy Smooth Wet

**Front**



Ride Height 23 mm  
 Camber Angle 2°  
 Toe Angle 0°

Front Center Back

Front Kick-Up		
F/F	F/R	Kick-Up
•	•	22.5°
••	•	21.2°
•••	•	20.0°
•	••	23.8°
••	••	22.5° <input checked="" type="checkbox"/>
•••	••	21.2°
•	•••	25.0°
••	•••	23.8°
•••	•••	22.5°

**Front Shocks**

Oil Weight 35 wt.

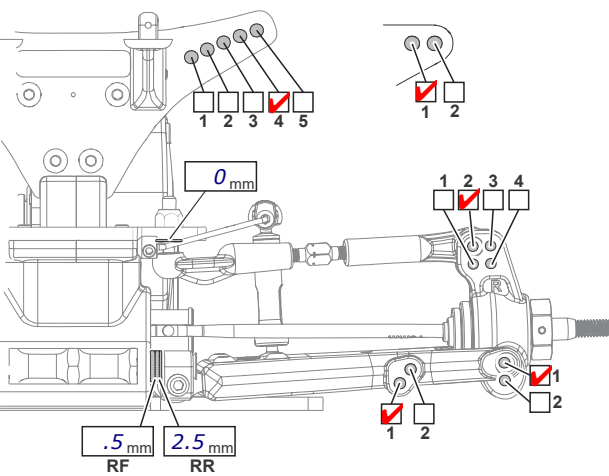
Piston 1.3

Spring AE Blue

\*Shock Length \_\_\_\_\_ mm

Notes 2mm Inside

**Rear**



Ride Height 23 mm  
 Camber Angle 1°  
 Toe Angle 2.5°  
 Sway Bar NONE

Rear Anti-Squat		
R/F	R/R	Anti-Squat
•	•	1.5°
••	•	0.5°
•••	•	-0.5°
•	••	3.0°
••	••	1.5° <input checked="" type="checkbox"/>
•••	••	0.5°
•	•••	4.0°
••	•••	3.0°
•••	•••	1.5°

**Rear Shocks**

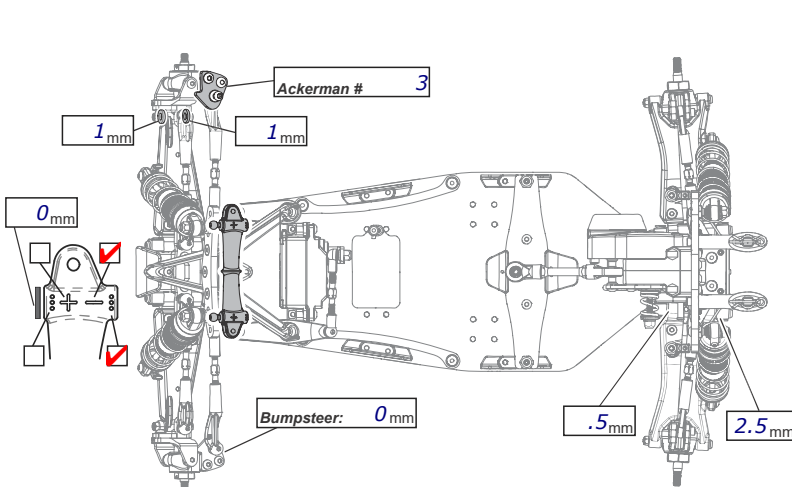
Oil Weight 32.50 wt.

Piston 1.6

Spring AE white

\*Shock Length \_\_\_\_\_ mm

Notes 1mm Inside



Rear Toe-in		
R/F	R/R	Toe-in
0.5mm	1.5mm	1.5°
0.5mm	2.0mm	2.0°
0.5mm	2.5mm	2.5° <input checked="" type="checkbox"/>
0.5mm	3.0mm	3.0°

Differential  
 Gear  Oil Wt. 1000  
 Ball

Servo  
 Front  Rear

Wing Height  
 Low  Mid  High

Tires	Front	Rear
Tire	<u>AKA Pinstripes</u>	<u>AKA Chainlinks</u>
Insert	<u>Red</u>	<u>Red</u>
Notes	<u>60mm JC Gold</u>	<u>60mm JC Gold</u>

Battery Reedy 702

Motor Hacker 7.5

Pinion 22 Spur 78

Body/Wing Type R / Trifecta

Battery Position  
 Inline  •  ••  
 Sideways  ••  •••

Notes

*AE Shaved Idler Gear*