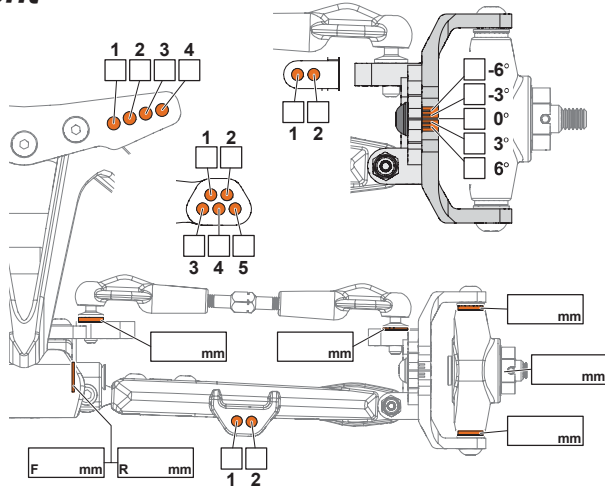


Name \_\_\_\_\_ Date \_\_\_\_\_ Event \_\_\_\_\_ Track \_\_\_\_\_

Track Condition: Indoor Outdoor \_\_\_\_\_ Temperature \_\_\_\_\_  
 Astroturf Carpet Clay Dirt Grass \_\_\_\_\_  
 Blue Groove Dusty Hard Packed Loose Loamy \_\_\_\_\_  
 Low Medium High Bumpy Smooth \_\_\_\_\_

## Front



Ride Height \_\_\_\_\_ mm

Camber Angle \_\_\_\_\_ °

Toe Angle \_\_\_\_\_ °

Front  
 Center  
 Back

Notes \_\_\_\_\_

**Kick-up**

F/F	F/R	
•	•	22.5°
••	•	21.2°
•••	•	20.0°
•	••	23.8°
••	••	22.5°
•••	••	21.2°
•	•••	25.0°
••	•••	23.8°
•••	•••	22.5°

**Shocks**

Oil \_\_\_\_\_

Piston \_\_\_\_\_

Hole Diameter \_\_\_\_\_ mm

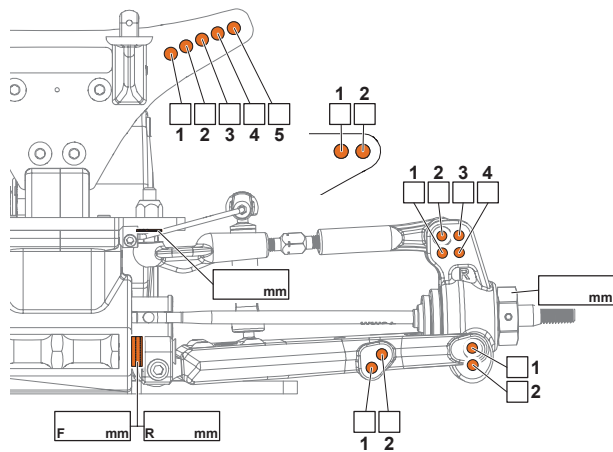
Nbr of holes:  1  2  3

Spring \_\_\_\_\_

Shock Length \_\_\_\_\_ mm

Notes \_\_\_\_\_

## Rear



Ride Height \_\_\_\_\_ mm

Camber Angle \_\_\_\_\_ °

Toe Angle \_\_\_\_\_ °

Sway Bar \_\_\_\_\_

Notes \_\_\_\_\_

**Anti-Squat**

R/F	R/R	
•	•	1.5°
••	•	0.5°
•••	•	-0.5°
•	••	3.0°
••	••	1.5°
•••	••	0.5°
•	•••	4.0°
••	•••	3.0°
•••	•••	1.5°

**Shocks**

Oil \_\_\_\_\_

Piston \_\_\_\_\_

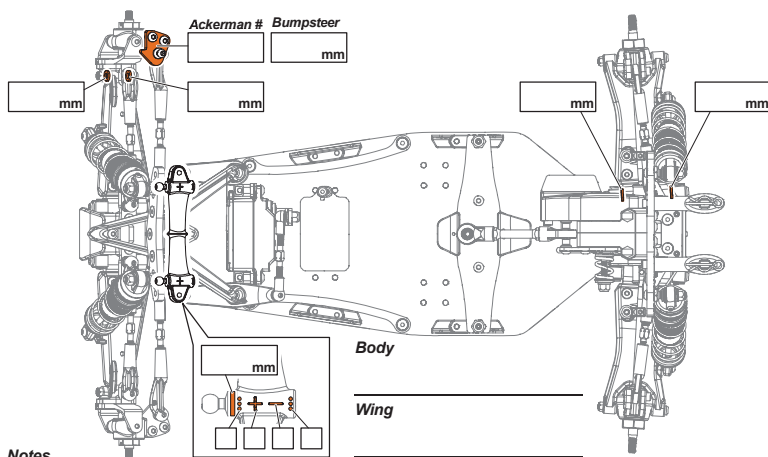
Hole Diameter \_\_\_\_\_ mm

Nbr of holes:  1  2  3

Spring \_\_\_\_\_

Shock Length \_\_\_\_\_ mm

Notes \_\_\_\_\_



**Battery Position**

Inline  Sideway

**Rear Toe-in**

R/F	R/R	Toe-in
0.5mm	1.5mm	1.5°
0.5mm	2.0mm	2.0°
0.5mm	2.5mm	2.5°
0.5mm	3.0mm	3.0°

**Differential**

Gear  Oil \_\_\_\_\_

Ball

**Servo**

Front  Rear

**Wing Height**

Low  Mid  High

Battery \_\_\_\_\_ Pinion \_\_\_\_\_

Motor \_\_\_\_\_ Spur \_\_\_\_\_

ESC \_\_\_\_\_ Servo \_\_\_\_\_ Receiver \_\_\_\_\_

**Front Tires**

Tire \_\_\_\_\_

Insert \_\_\_\_\_ Wheel \_\_\_\_\_

Notes \_\_\_\_\_

**Rear Tires**

Tire \_\_\_\_\_

Insert \_\_\_\_\_ Wheel \_\_\_\_\_

Notes \_\_\_\_\_