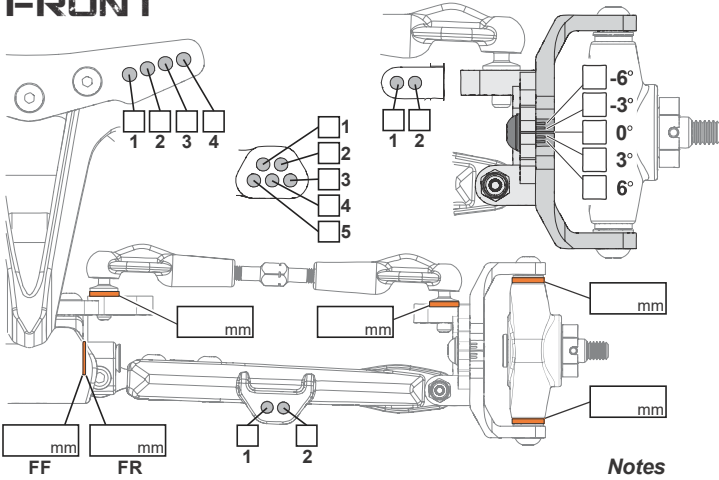




Driver _____ **Date** _____ **Track** _____ **Event** _____
 Composition: Astroturf Clay Carpet Dirt Grass Wood Dry
Track Condition Other: _____ Traction: Low Medium High Dry
 Surface: Bumpy Smooth Wet

FRONT



Ride Height _____ mm
Camber Angle _____ °
Toe Angle _____ °

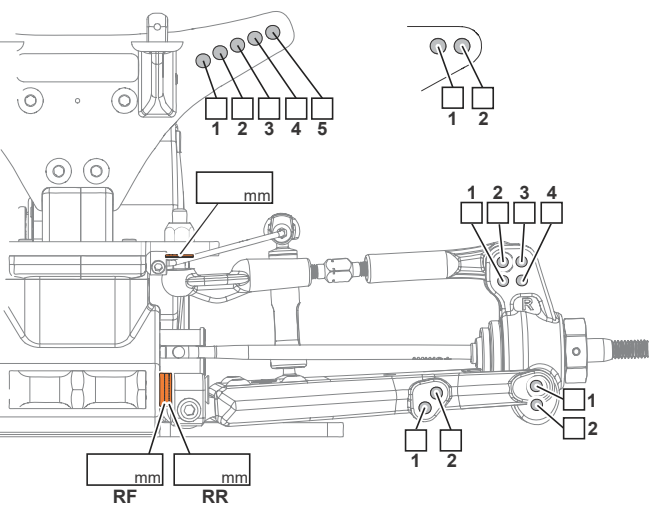
Front Kick-Up		
F/F	F/R	Kick-Up
●	●	22.5°
●●	●	21.2°
●●●	●	20.0°
●●●	●●	23.8°
●●●	●●●	22.5°
●●●	●●●	21.2°
●●●	●●●	25.0°
●●●	●●●	23.8°
●●●	●●●	22.5°

Front Center Back

Front Shocks	
Oil Weight	_____ wt
Piston	_____
Spring	_____
*Shock Length	_____ mm
Notes	_____

Notes

REAR

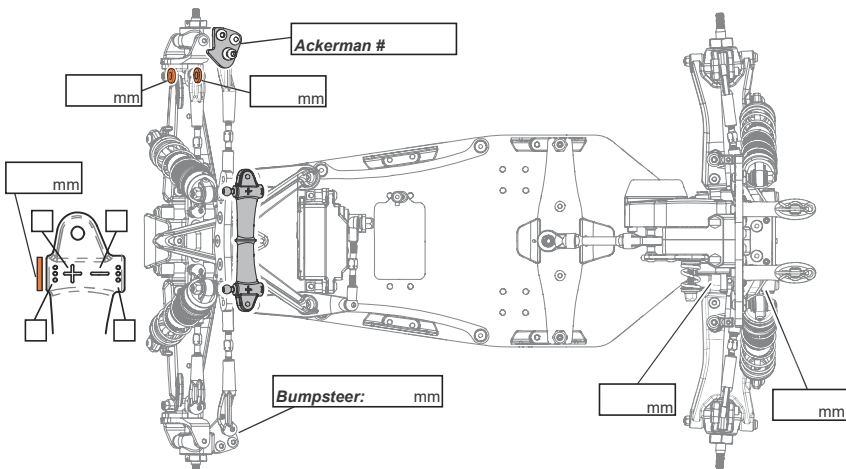


Ride Height _____ mm
Camber Angle _____ °
Toe Angle _____ °
Sway Bar _____

Rear Anti-Squat		
R/F	R/R	Anti-Squat
●	●	1.5°
●●	●	0.5°
●●●	●	-0.5°
●	●●	3.0°
●●	●●	1.5°
●●●	●●	0.5°
●	●●●	4.0°
●●	●●●	3.0°
●●●	●●●	1.5°

Rear Shocks	
Oil Weight	_____ wt
Piston	_____
Spring	_____
*Shock Length	_____ mm
Notes	_____

Notes



Rear Toe-in		
R/F	R/R	Toe-in
0.5mm	1.5mm	1.5°
0.5mm	2.0mm	2.0°
0.5mm	2.5mm	2.5°
0.5mm	3.0mm	3.0°

Differential	
Gear	<input type="checkbox"/> Oil Wt.
Ball	<input type="checkbox"/>

Servo	
Front	<input type="checkbox"/>
Rear	<input type="checkbox"/>

Wing Height		
Low	Mid	High
<input type="checkbox"/>	<input type="checkbox"/>	<input type="checkbox"/>

Tires	Front	Rear
Tire		
Insert		
Notes		

Battery _____
 Motor _____
 Pinion _____ Spur _____
 Body/Wing _____

Battery Position			
<input type="checkbox"/> Inline	<input type="checkbox"/> ●	<input type="checkbox"/> ●●	<input type="checkbox"/> ●●●
<input type="checkbox"/> Sideways	<input type="checkbox"/> ●●	<input type="checkbox"/> ●●●	<input type="checkbox"/> ●●●●

Notes