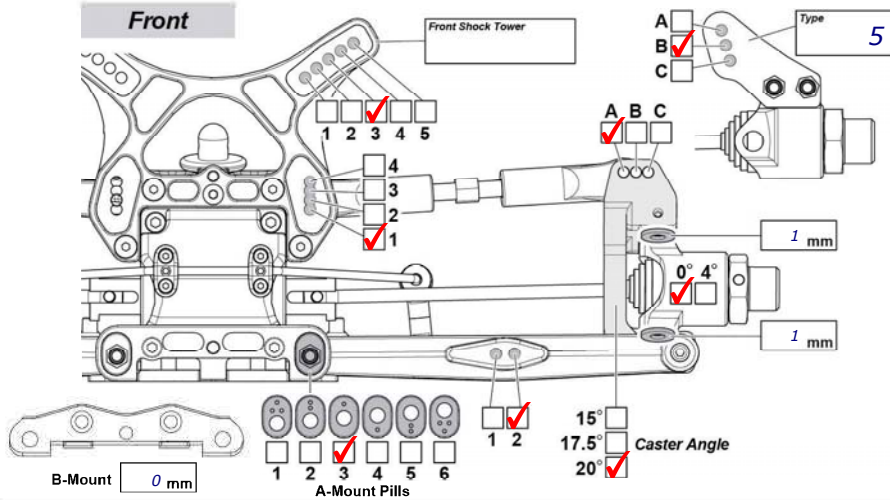


Driver *David Ronnefalk*

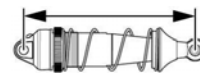
Date *22-26/2 2017* Track *Fear Farm*

Event *The Dirt Nitro Challenge 2017*

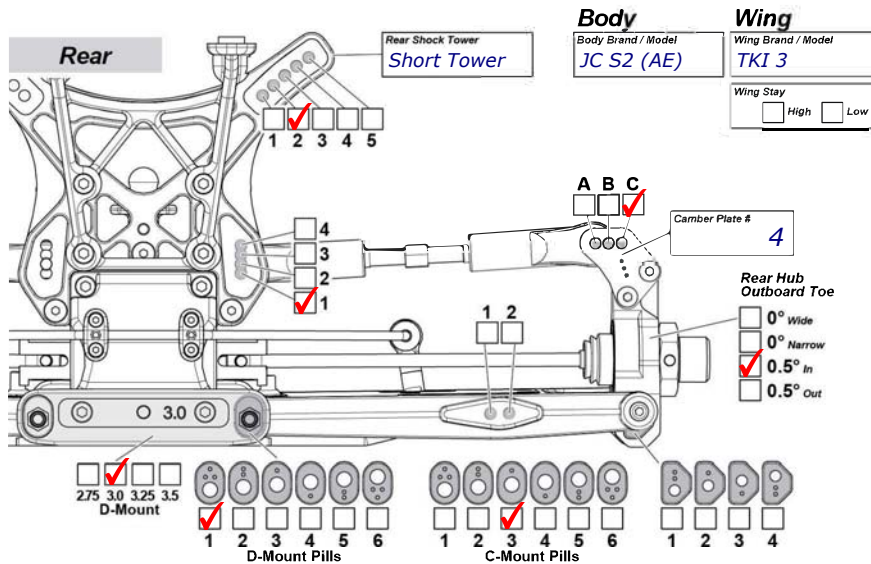
Track Condition *Bumpy, Polished, Medium Traction, Sharp edges, Big Jumps*



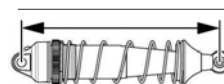
Ride Height	<i>27</i>
Camber Angle	<i>-1.5</i>
Toe Angle	<i>+0.5</i>
Sway Bar	<i>2.2</i>
Shock Length	<i>106</i>



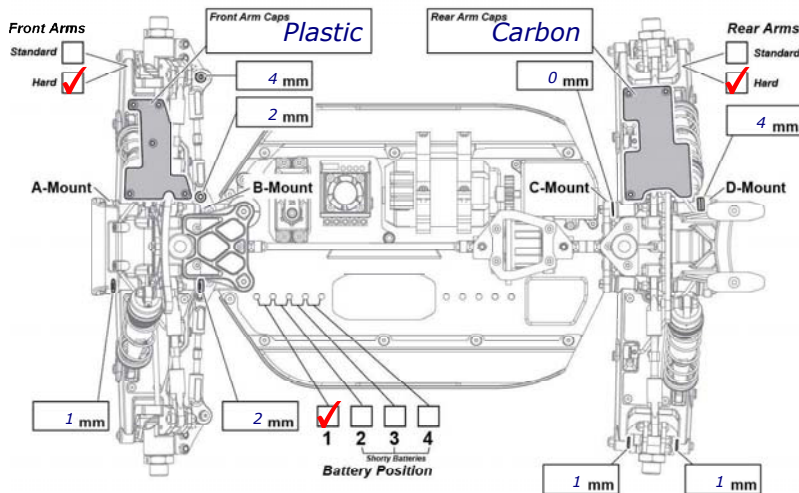
Shocks	
Oil	<i>XTR 32.5</i>
Piston	<i>6x1.3</i>
Rebound	<i>0</i>
Spring	<i>Yellow</i>
Notes	



Ride Height	<i>28</i>
Camber Angle	<i>2.5</i>
Sway Bar	<i>2.6</i>
Shock Length	<i>120</i>



Shocks	
Oil	<i>XTR 27.5</i>
Piston	<i>6x1.4</i>
Rebound	<i>0</i>
Spring	<i>Blue</i>
Notes	



Notes

Motor	
Brand / Model	<i>Orion 2100kw</i>
Spur gear	<i>48</i>
Pinion Gear	<i>20</i>

Battery	
Brand / Model	<i>Orion V-Max 6500mah</i>

ESC	
Brand / Model	<i>Orion R8X</i>

Diff Oils			
	Front	Center	Rear
Brand	<i>XTR</i>	<i>XTR</i>	<i>XTR</i>
Oil	<i>7k</i>	<i>5k</i>	<i>2k</i>

Tires		
	Front	Rear
Brand	<i>JC Reflex</i>	<i>JC Reflex</i>
Compound	<i>Green</i>	<i>Green</i>
Insert	<i>JC</i>	<i>JC</i>
Wheel	<i>HB</i>	<i>HB</i>
Notes		