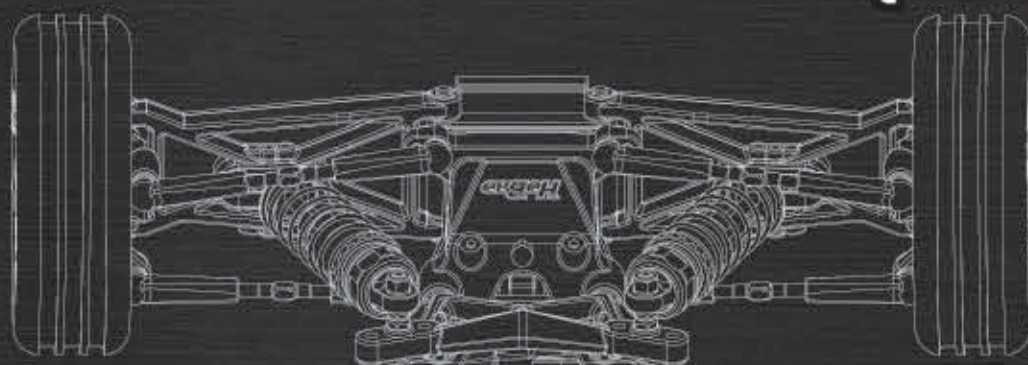


1/10 SCALE 2WD BUGGY

HYPER H2

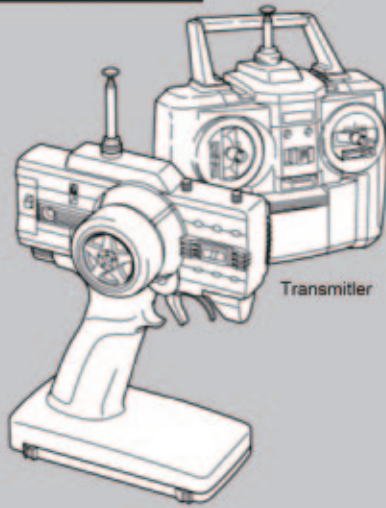


INSTRUCTION MANUAL
Hobao Racing

1/10 SCALE 2WD BUGGY HYPER #2

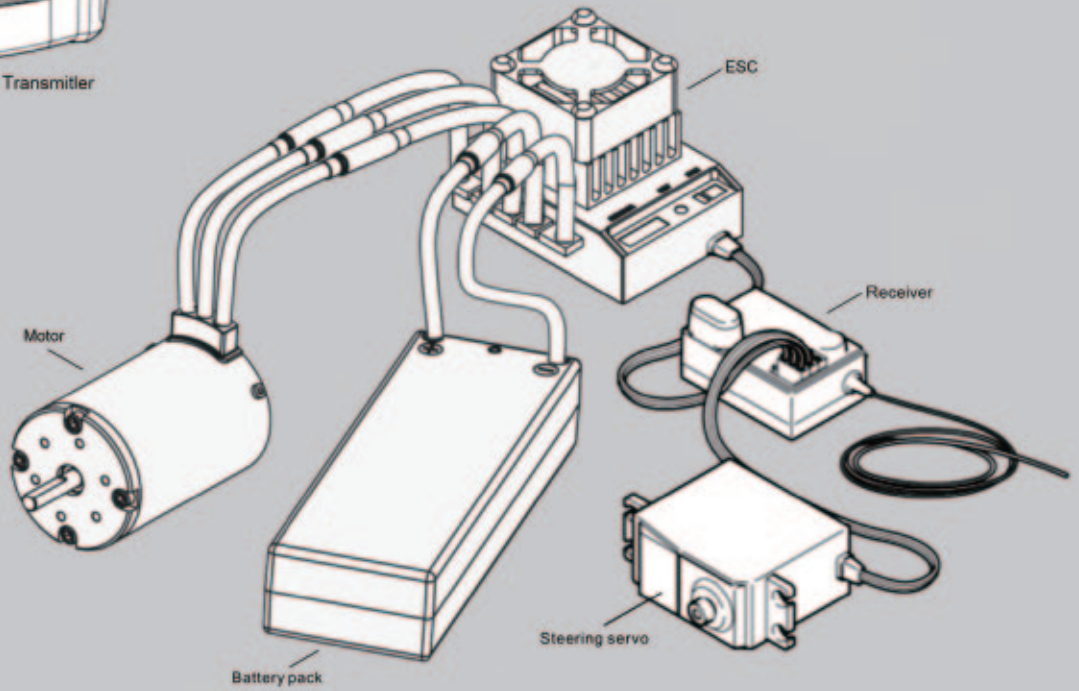
Required

Radio control equipment set



Transmitter

8 AA Size batteries
for transmitter



Motor

ESC

Receiver

Steering servo

Battery pack

Tools recommended

Hex wrench
2.5mm



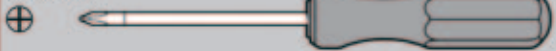
2mm



1.5mm



Screwdriver

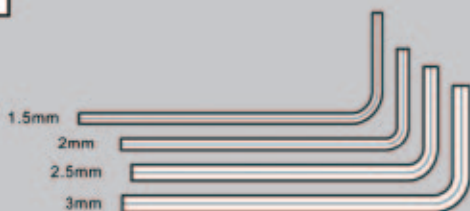


+

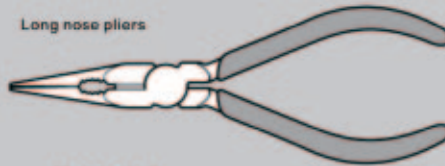


Included items

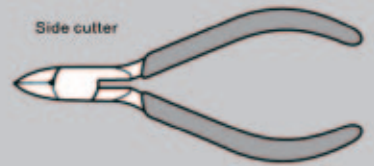
Hex wrench with



Long nose pliers



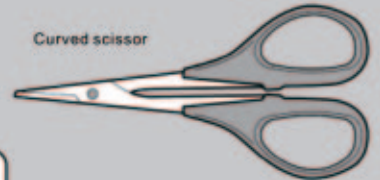
Side cutter



Modeling knife



Curved scissor



Instant cement



Thread lock



Reamer



Wrench



Differential Assembly 1



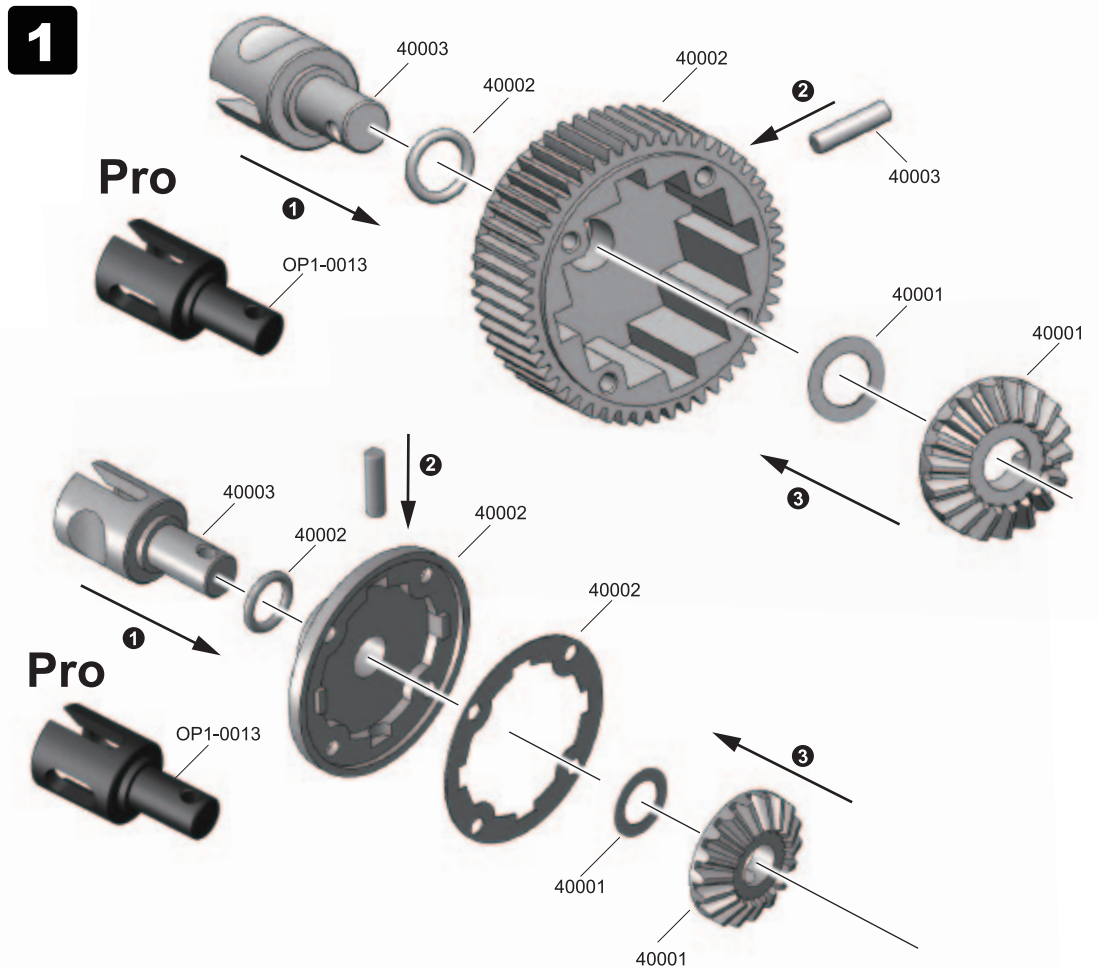
40002
5x7mm x2
O-Ring



40003
2x7.8mm x2
Shaft



40001
5x11x0.2mm x2
Washer



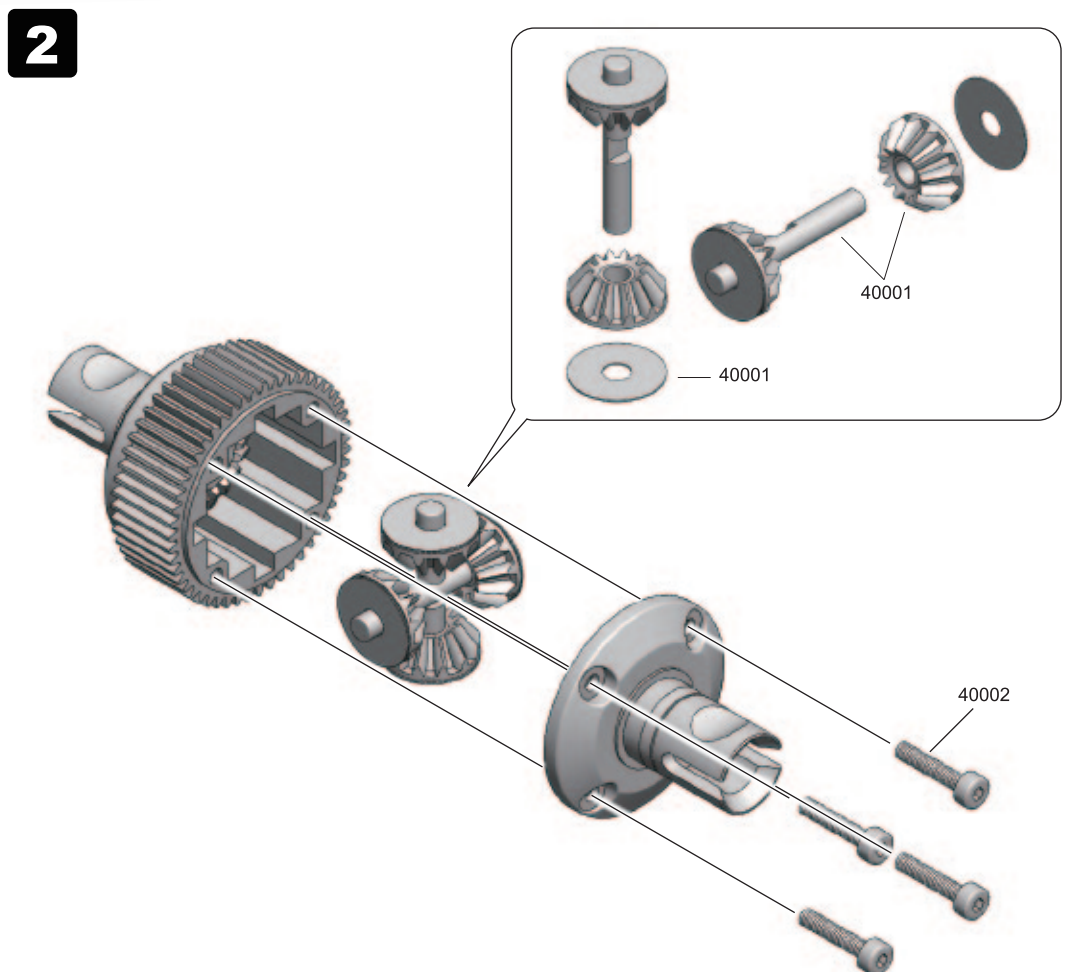
Differential Assembly 2



40002
2x10mm x4
Cap Screw



40001
3x6x0.2mm x4
Washer



Shock Assembly 1



40049
3.3x7.1mm x2
O-Ring



40049
3.6x6.9x2.4mm x1
Spacer

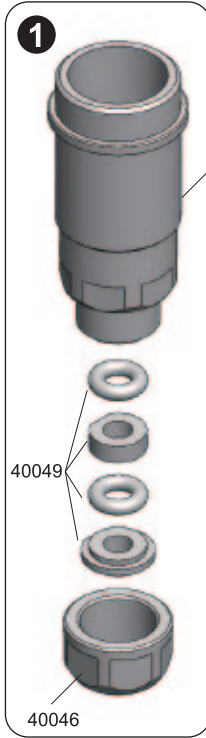


40041
2.3mm x2
E-Clip



40049
Retainer

3



40043(F)
40044(R)

40049

40046

40048

2

40041

40049

40041

40041



40045

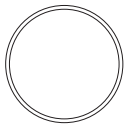
40048

40042

Shock Assembly 2

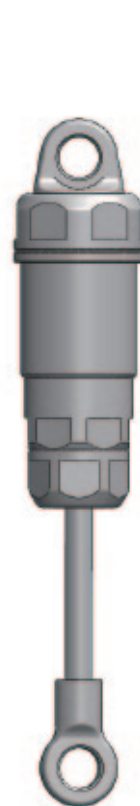
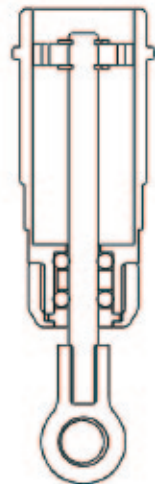
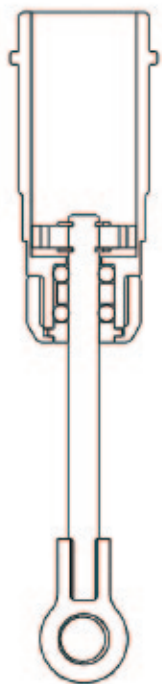


40051
5.8mm x8
Ball



40047
15x1mm x4
O-Ring

4



40051

40050

87018

40048

40047

Pro

OP1-0010

Servo Assembly



40018
2x6mm x1
Cap Screw

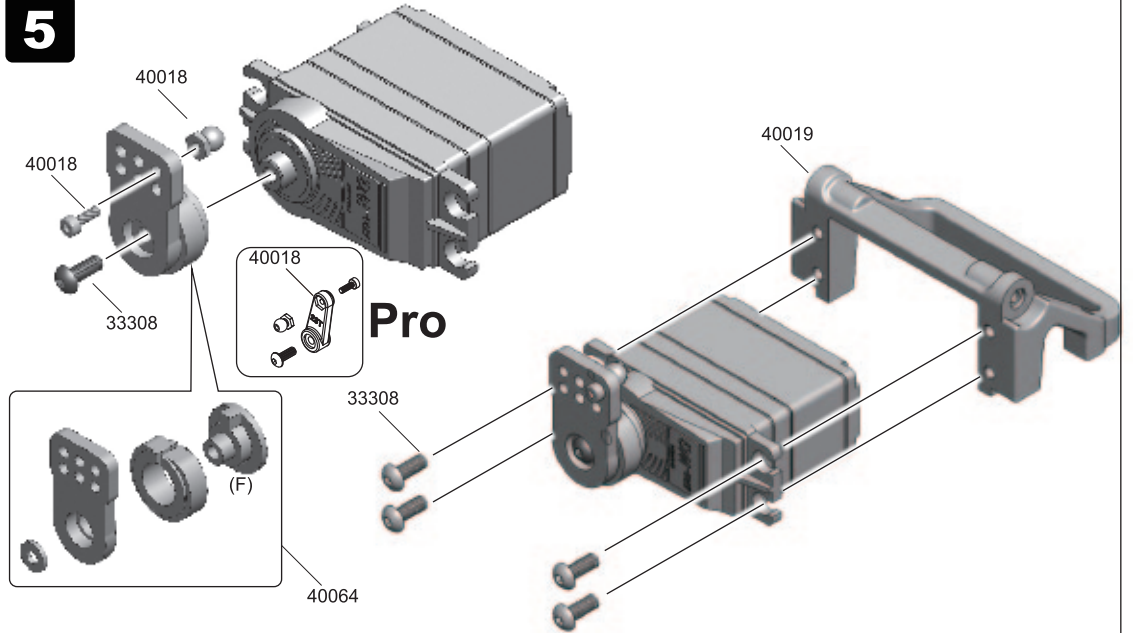


40018
4.8mm x1
Ball Flanged



33308
3x8mm x5
B/H Screw

5



Chassis Assembly

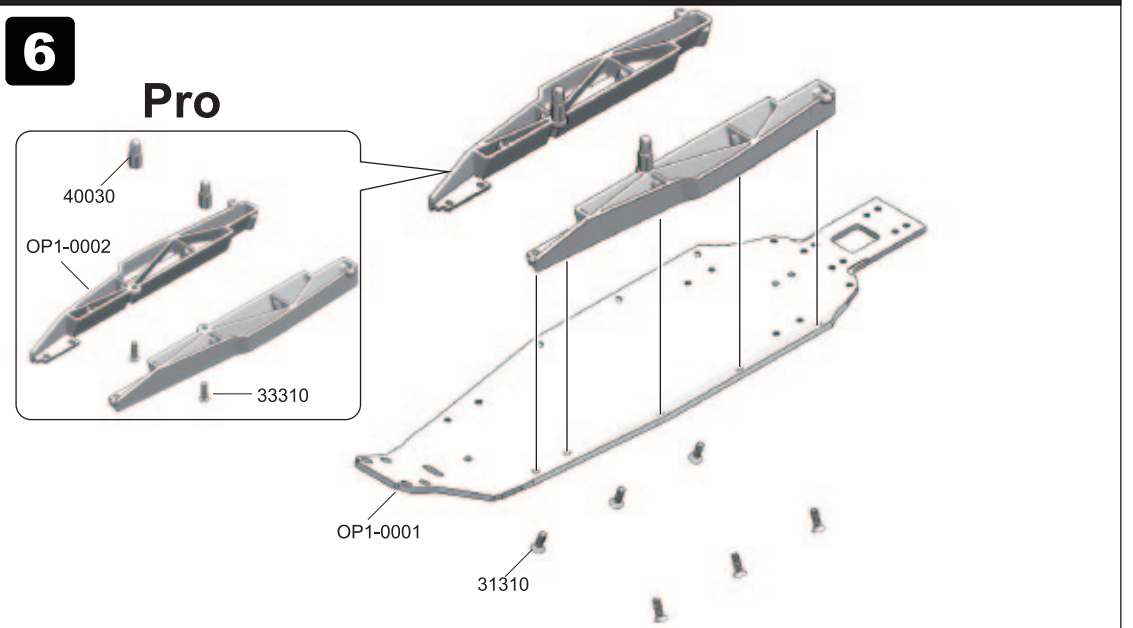


33310
3x10mm x2
B/H Screw

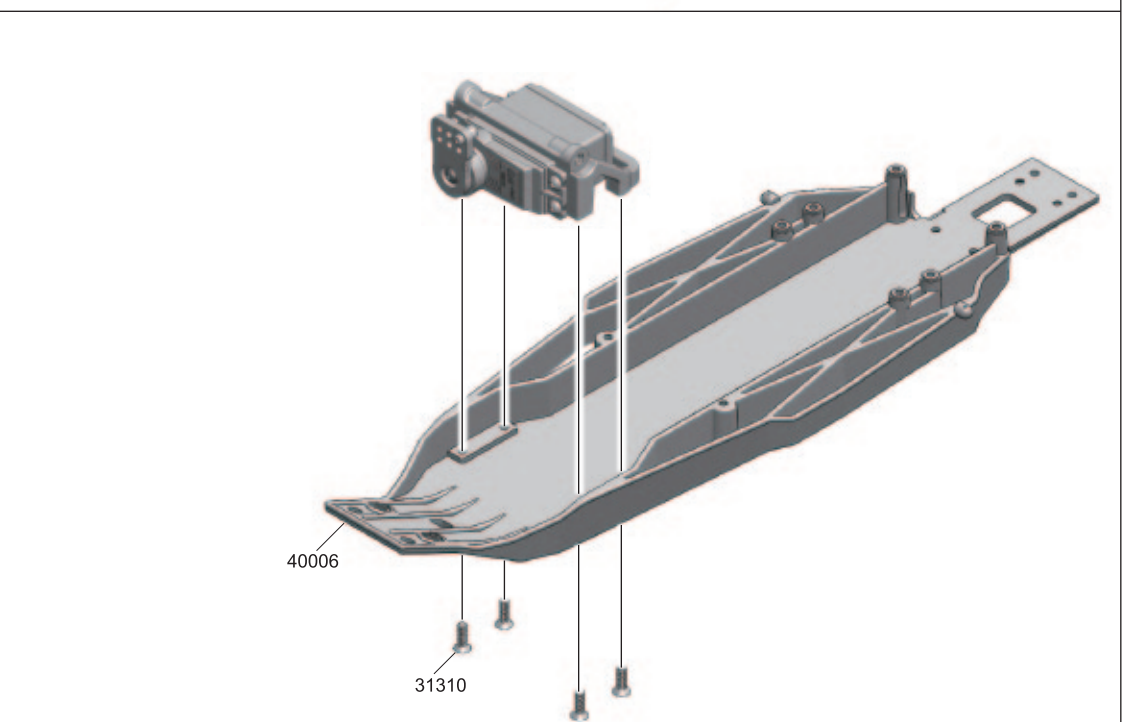


31310
3x10mm x6
F/H Screw



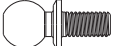
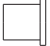
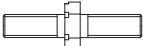

6

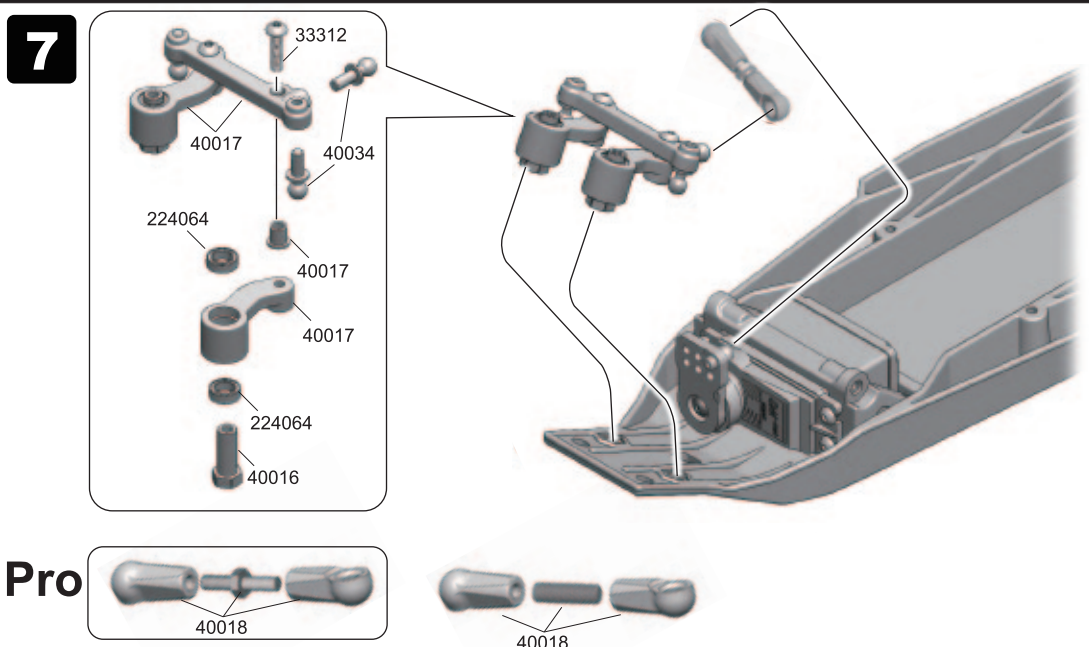


31310
3x10mm x4
F/H Screw









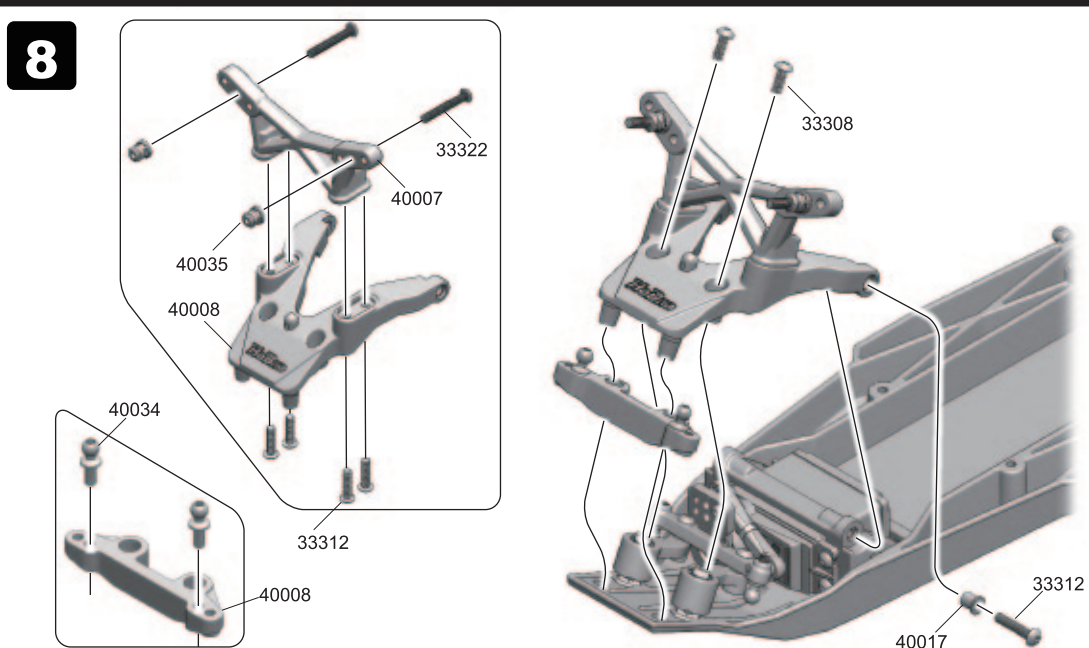
Steering Rack Assembly

	33312 3x12mm x2 B/H Screw
	224064 5x8x2.5mm x4 Ball Bearing
	40034 4.8xM3x7mm x3 Ball Stud
	40017 x2 Bushing
	40018 3x18mm x1 Turnbuckle
	40018 3x10mm x1 Set Screw



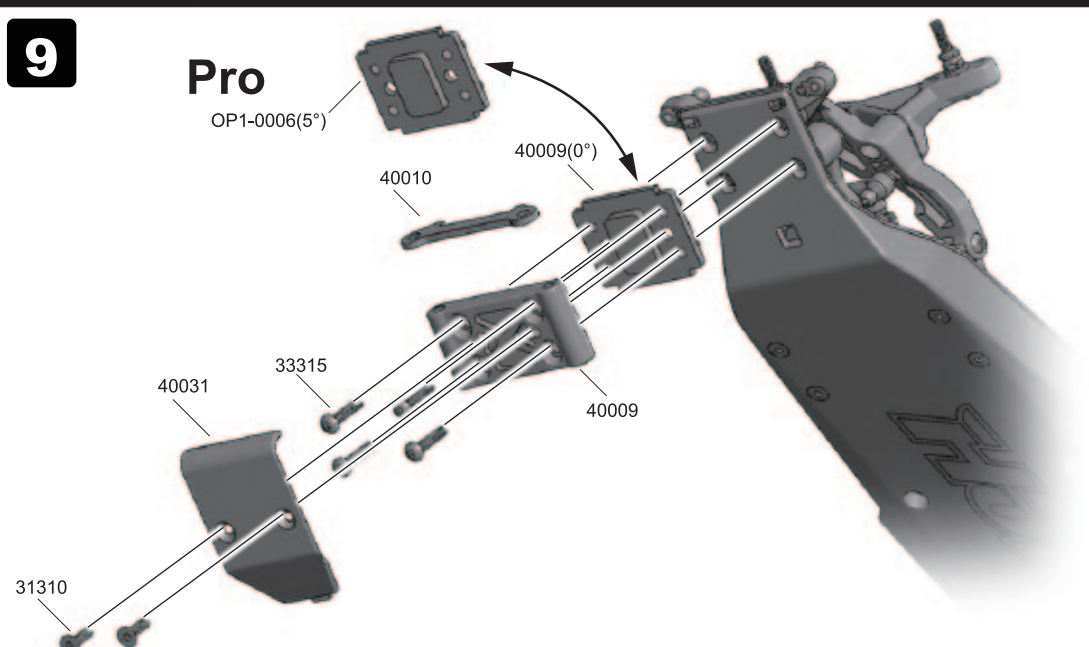
Front Bulkhead Assembly

	33308 3x8mm x2 B/H Screw
	33312 3x12mm x6 B/H Screw
	33322 3x22mm x2 B/H Screw
	40034 4.8xM3x7mm x2 Ball Stud
	40035 x2 Shock Bushing
	40017 x2 Bushing



Front Bumper Assembly

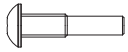
	31310 3x10mm x2 F/H Screw
	33315 3x15mm x4 B/H Screw



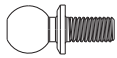
Steering Knuckle Assembly



33305
3x5mm x2
B/H Screw



40013 x8
KingPin Screw



40034
4.8xM3x7mm x4
Ball Stud



84077
5x10x4mm x4
Ball Bearing



40033
2.5x7x0.5mm x4
Washer

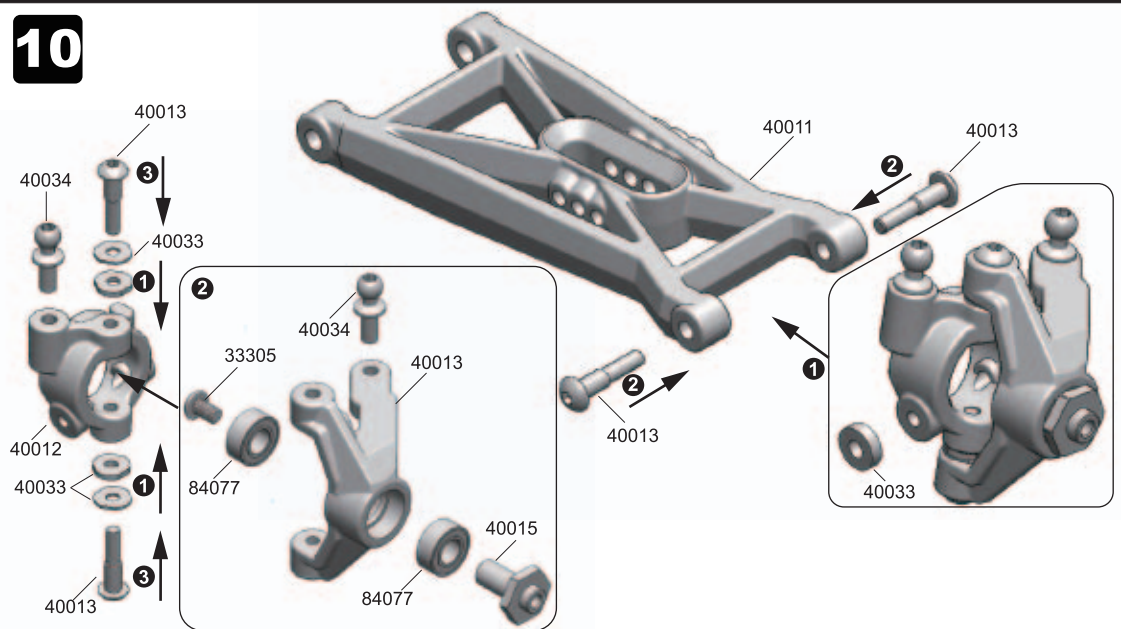


40033
2.5x7x1mm x4
Washer



40033
3.1x7x2mm x2
Washer

10

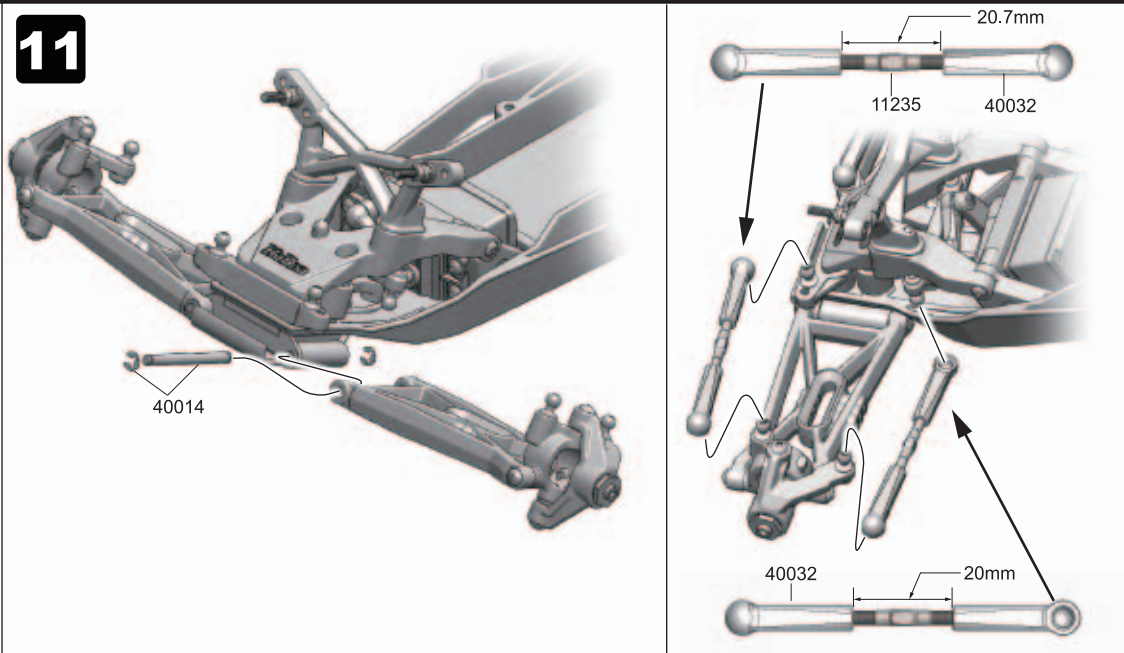


Front Suspension Arm Assembly



40014
2.3mm x2
E-Clip

11



Battery Tray Assembly



33312
3x12mm x2(kit)
B/H Screw



31310
3x10mm x6(kit)
F/H Screw



33312
3x12mm x6(rtr)
B/H Screw

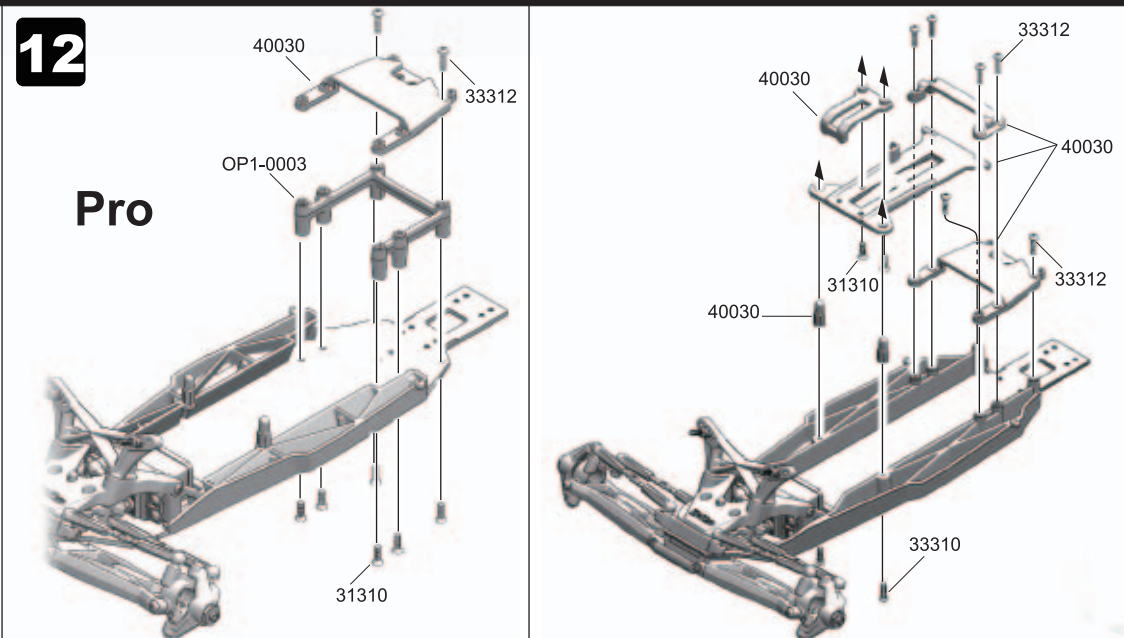


31310
3x10mm x2(rtr)
F/H Screw



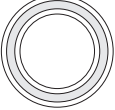



33310
3x10mm x2(rtr)
B/H Screw

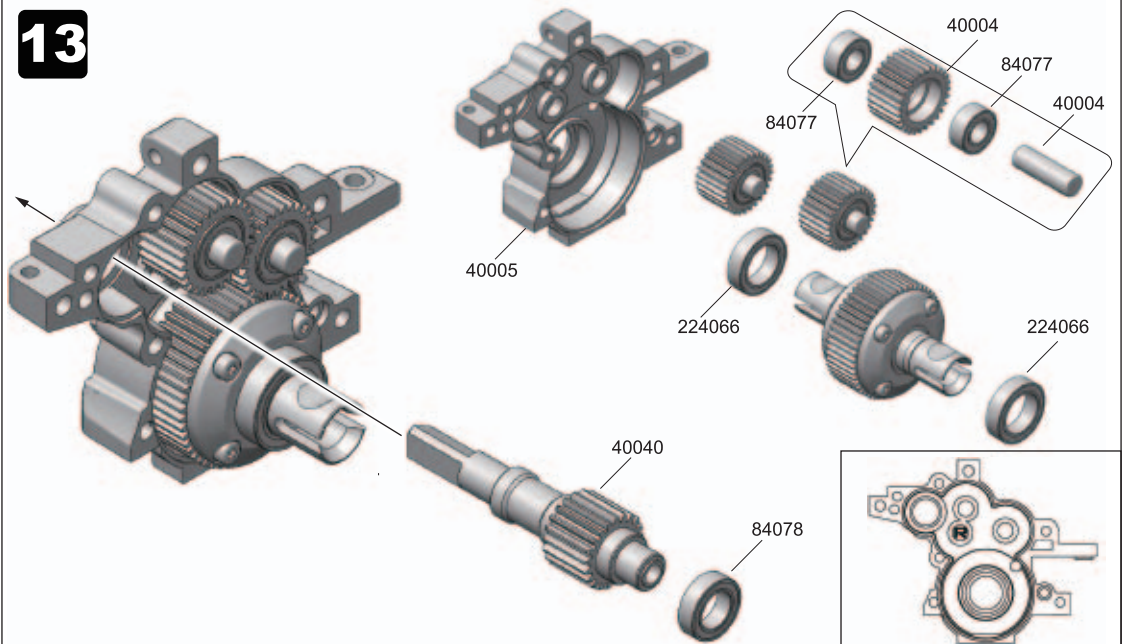
12






Transmission Assembly 1

-  84077
5x10x4mm x4
Ball Bearing
-  84078
6x10x3mm x1
Ball Bearing
-  224066
10x15x4mm x2
Ball Bearing
-  40004
5x16mm x2
Shaft

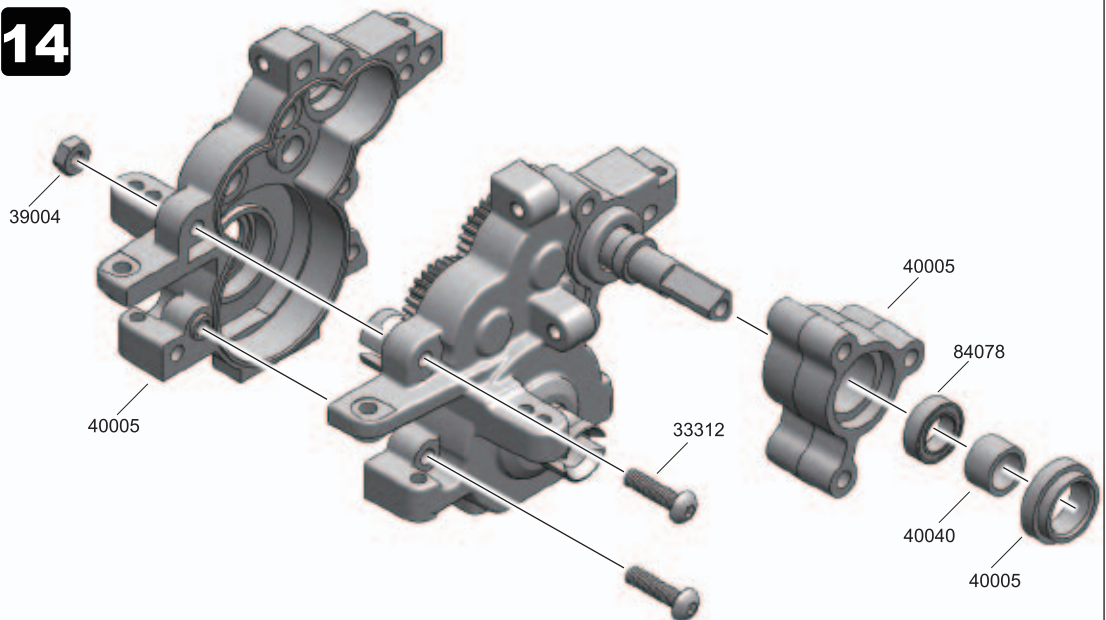
13



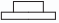


Transmission Assembly 2

-  84078
6x10x3mm x2
Ball Bearing
-  33312
3x12mm x2
B/H Screw
-  39004 x1
M3 Nut

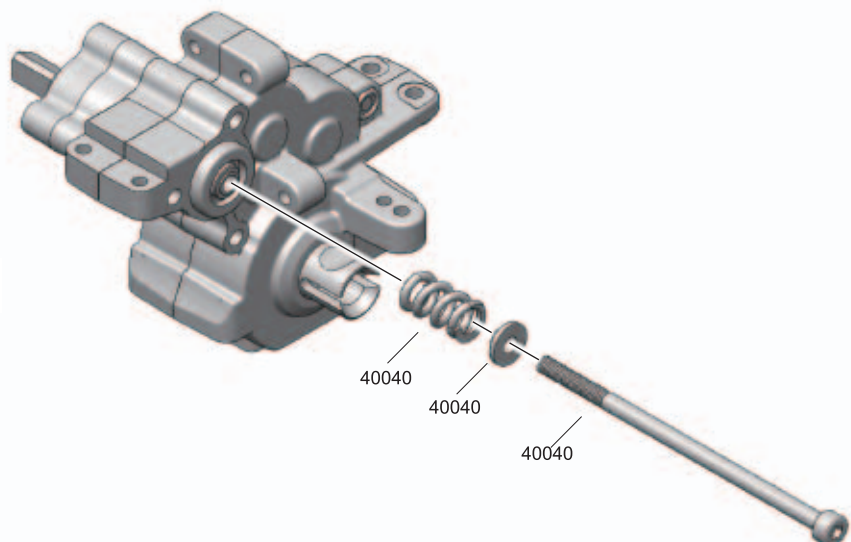
14



Transmission Assembly 3

-  40040
Slipper Washer
-  40040
Slipper Spring
-  40040
3x65mm
Cap Screw

15



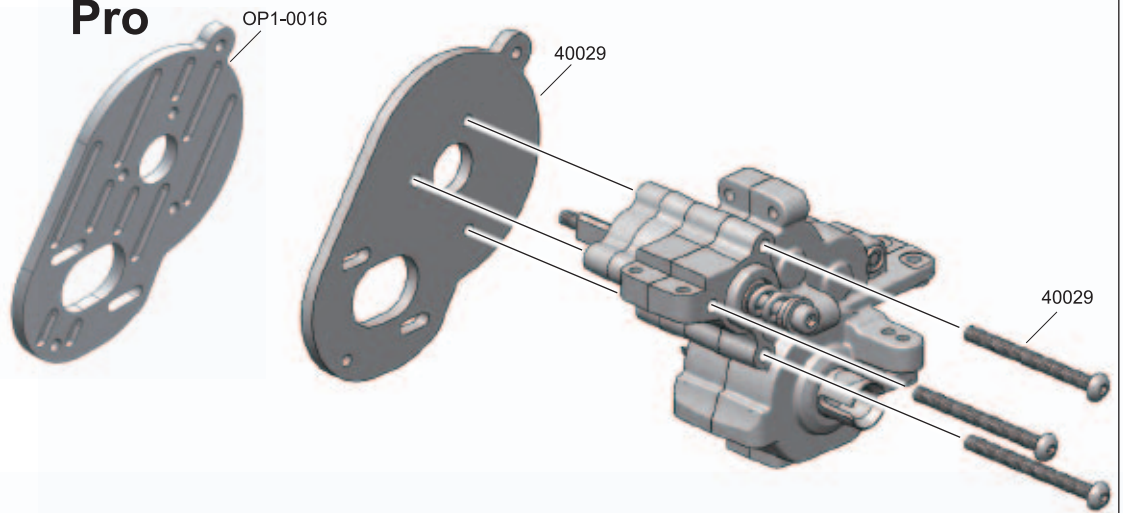
Motor Mount Assembly



40029
3x35mm x3
B/H Screw

16

Pro



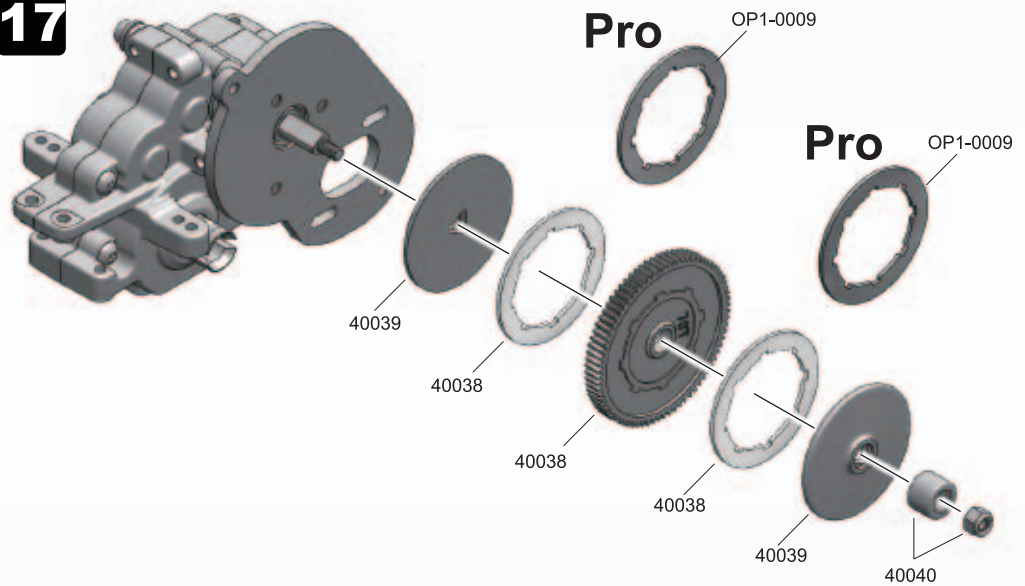
Slipper Assembly



40040
M3 Nut x1

17

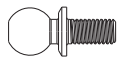
Pro



Rear Shock Tower Assembly



40035 x2
Shock Bushing



40034
4.8xM3x7mm x2
Ball Stud

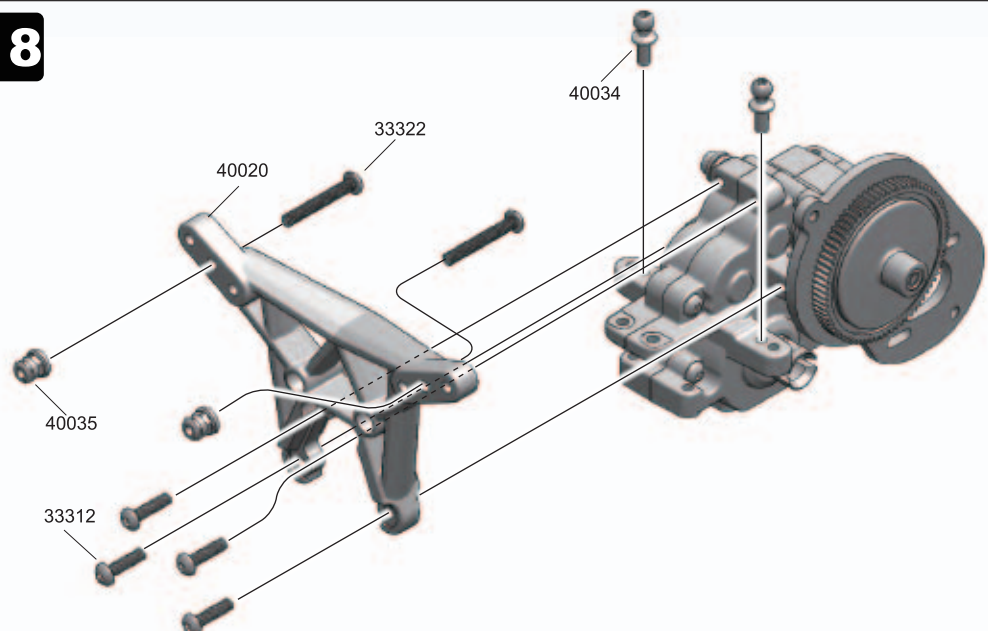


33312
3x12mm x4
B/H Screw



33322
3x22mm x2
B/H Screw

18



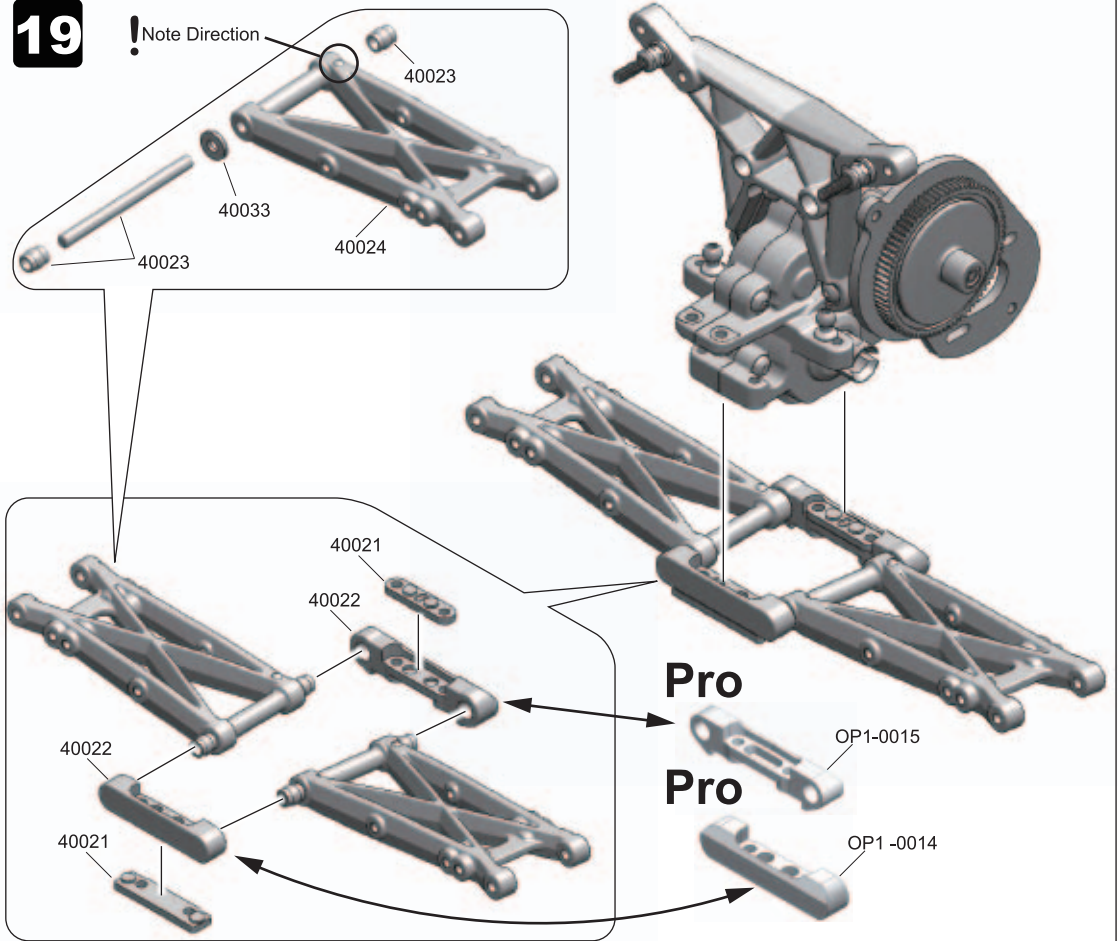
Rear Suspension Arm Assembly



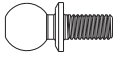
40033
3x7x0.5mm x2
Washer

19

!Note Direction



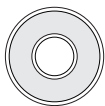
Rear Hub Assembly



40034
4.8xM3x7mm x2
Ball Stud



84077
5x10x4mm x2
Ball Bearing



40036
5x13x4mm x2
Ball Bearing



40025
2.3mm x4
E-Clip



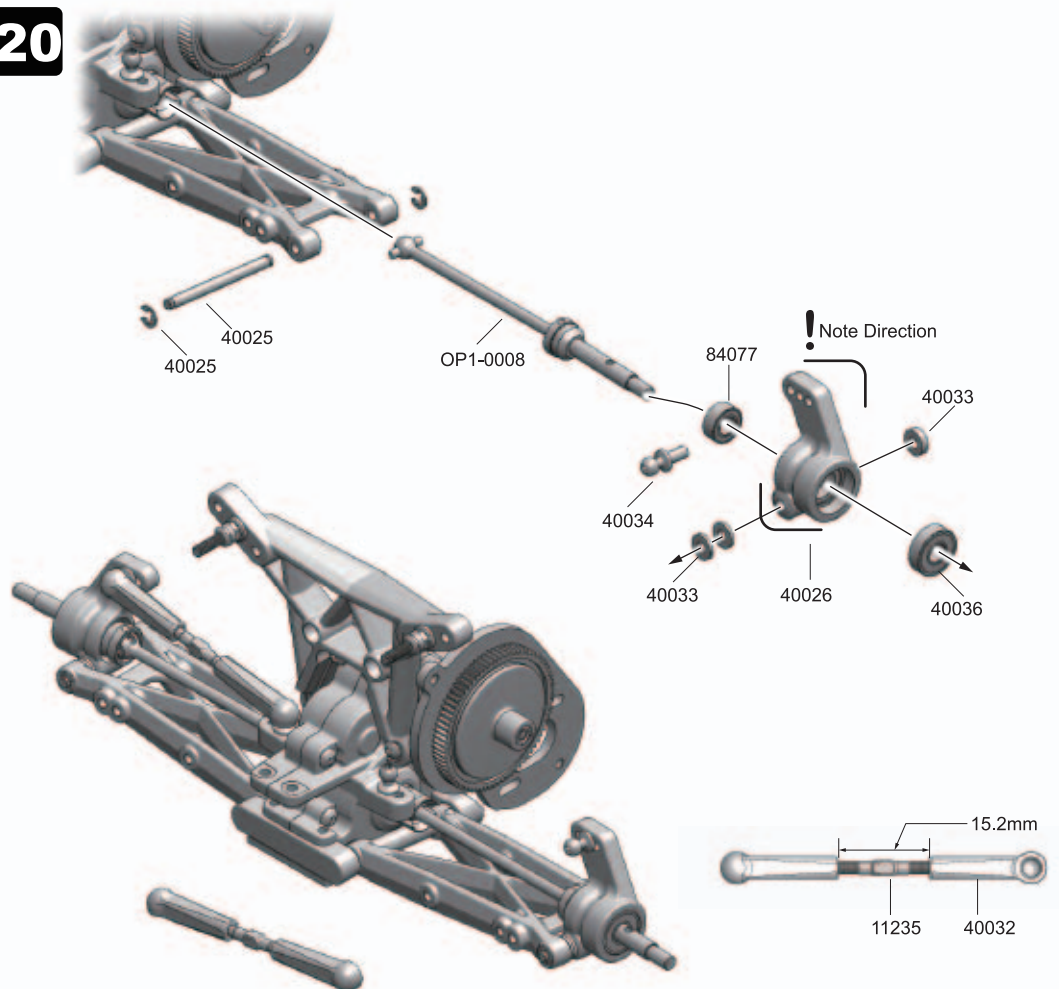
40033
3x7x1mm x4
Washer









40033
3x7x2mm x2
Washer

20

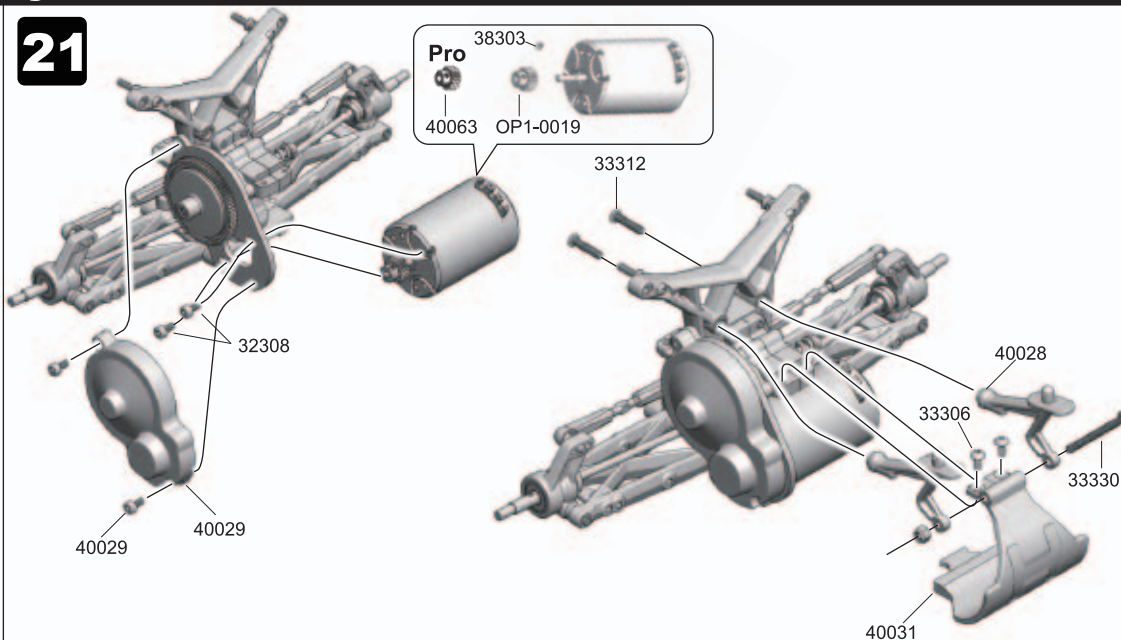
!Note Direction





Motor Assembly

-  40029
3x6mm x2
Cap Screw
-  32308
3x8mm x2
Cap Screw
-  33306
3x6mm x2
B/H Screw
-  33312
3x12mm x2
B/H Screw
-  33330
3x30mm x1
B/H Screw
-  39008
M3 Nut x1

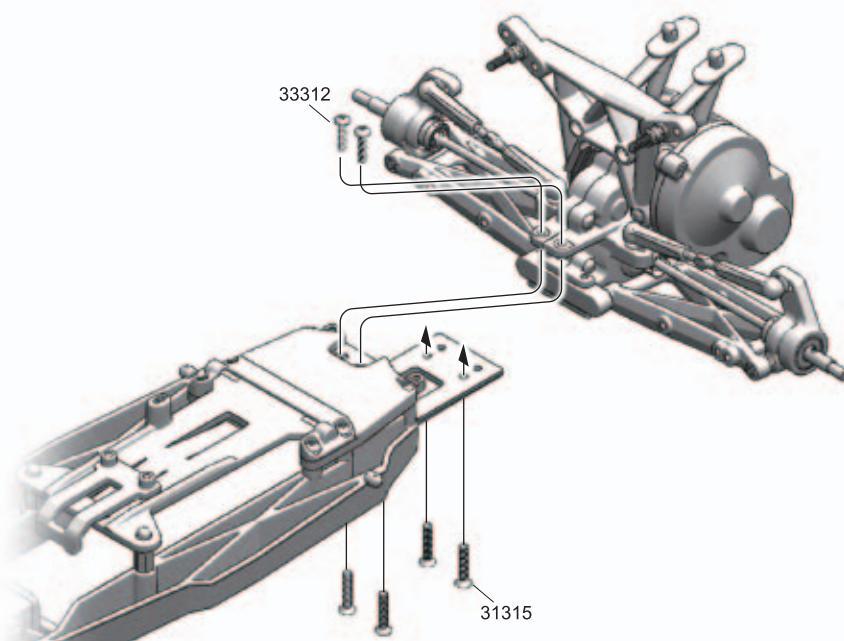
21






Rear Clip Assembly

-  33312
3x12mm x2
B/H Screw
-  31315
3x15mm x4
F/H Screw

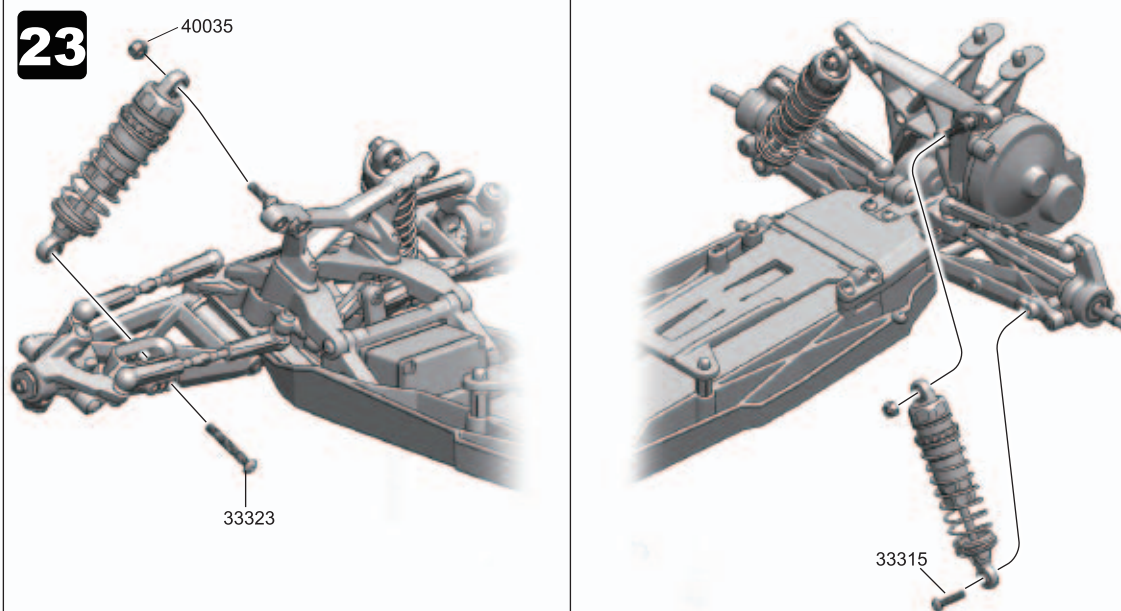
22



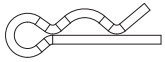
Front / Rear Shock Assembly

-  33323
3x23mm x2
B/H Screw
-  40035
M3 Nut x4
-  33315
3x15mm x2
B/H Screw

23

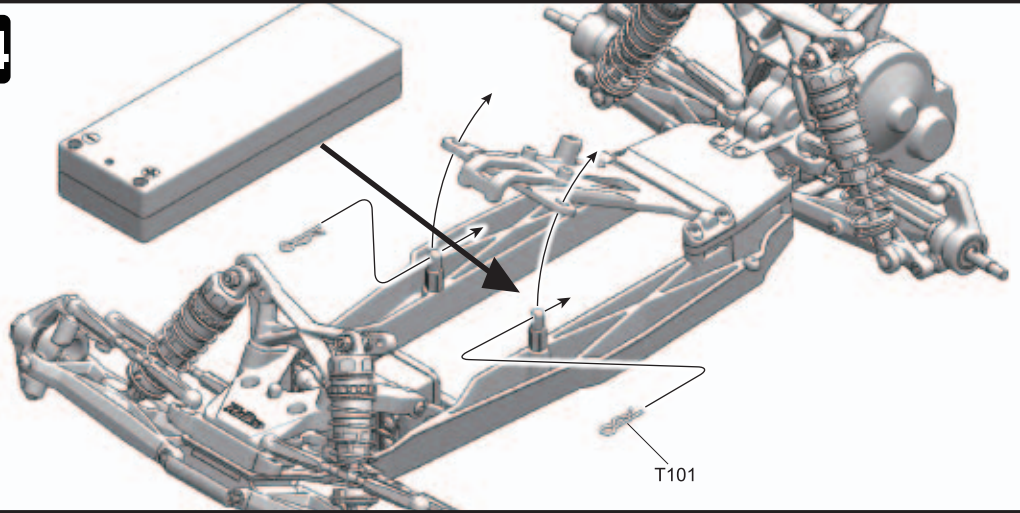


Battery Installation



T101 x2
Body Clip

24

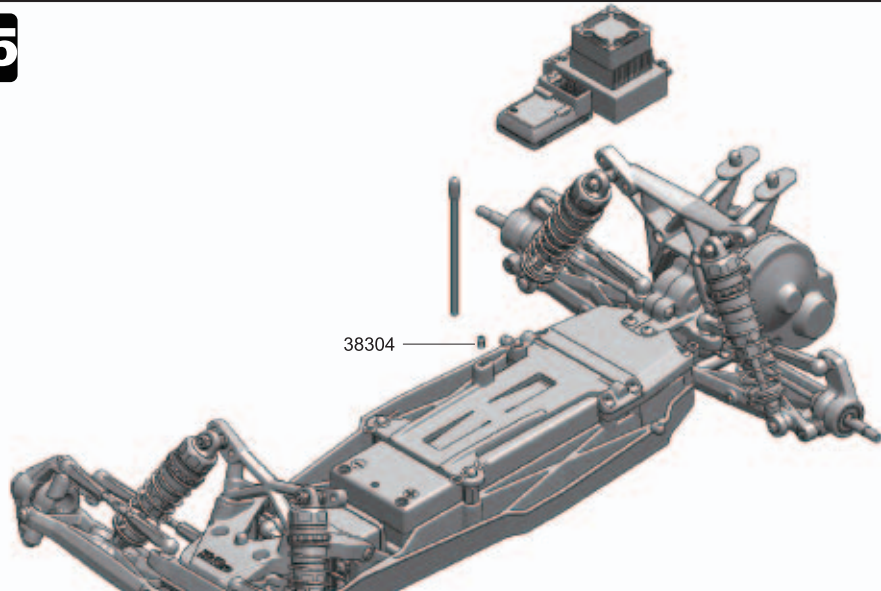


ESC / Receiver Installation



38304
3x4mm x1
Set Screw

25



Body / Tire Installation



40015
3x8mm x2
B/H Screw



84135
Wheel Nut



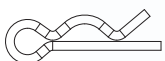
40027
Wheel Hex



40027
2x9.8mm x2
Shaft

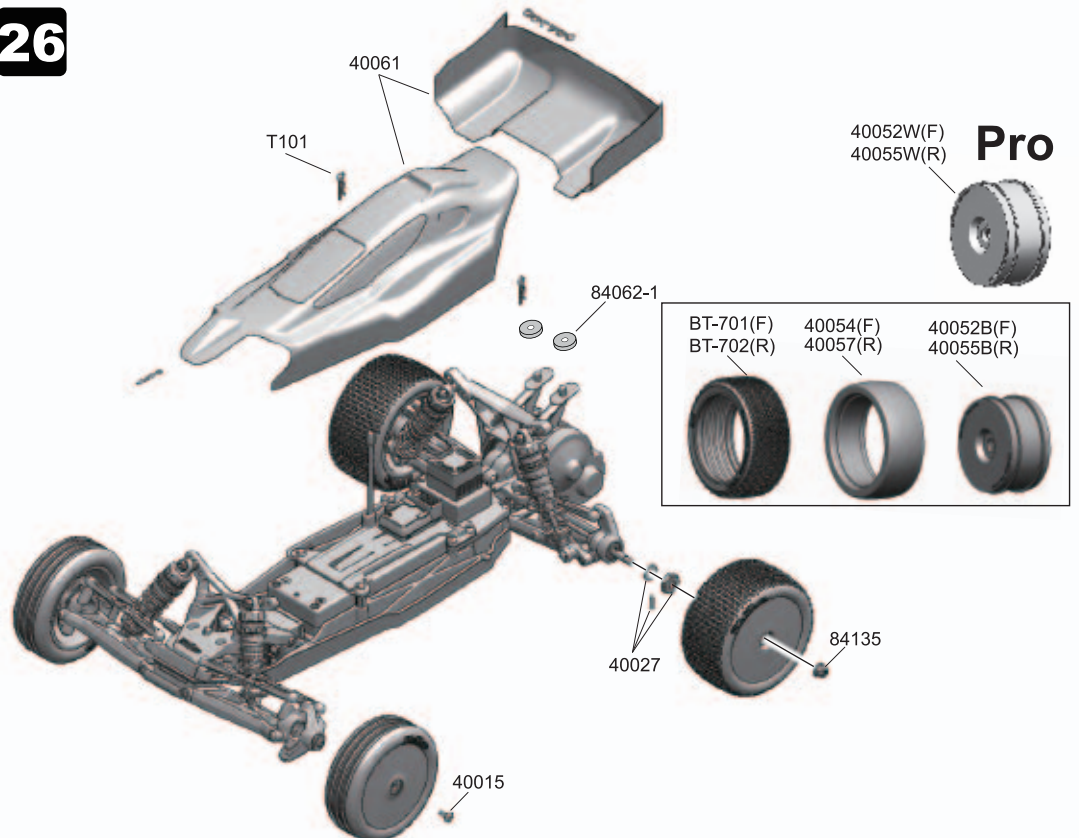


40027
5x11x1.8mm
Washer



T101x4
Body Clip

26



OPTION: MID MOTOR CONVERSION KIT

Battery Tray Assembly

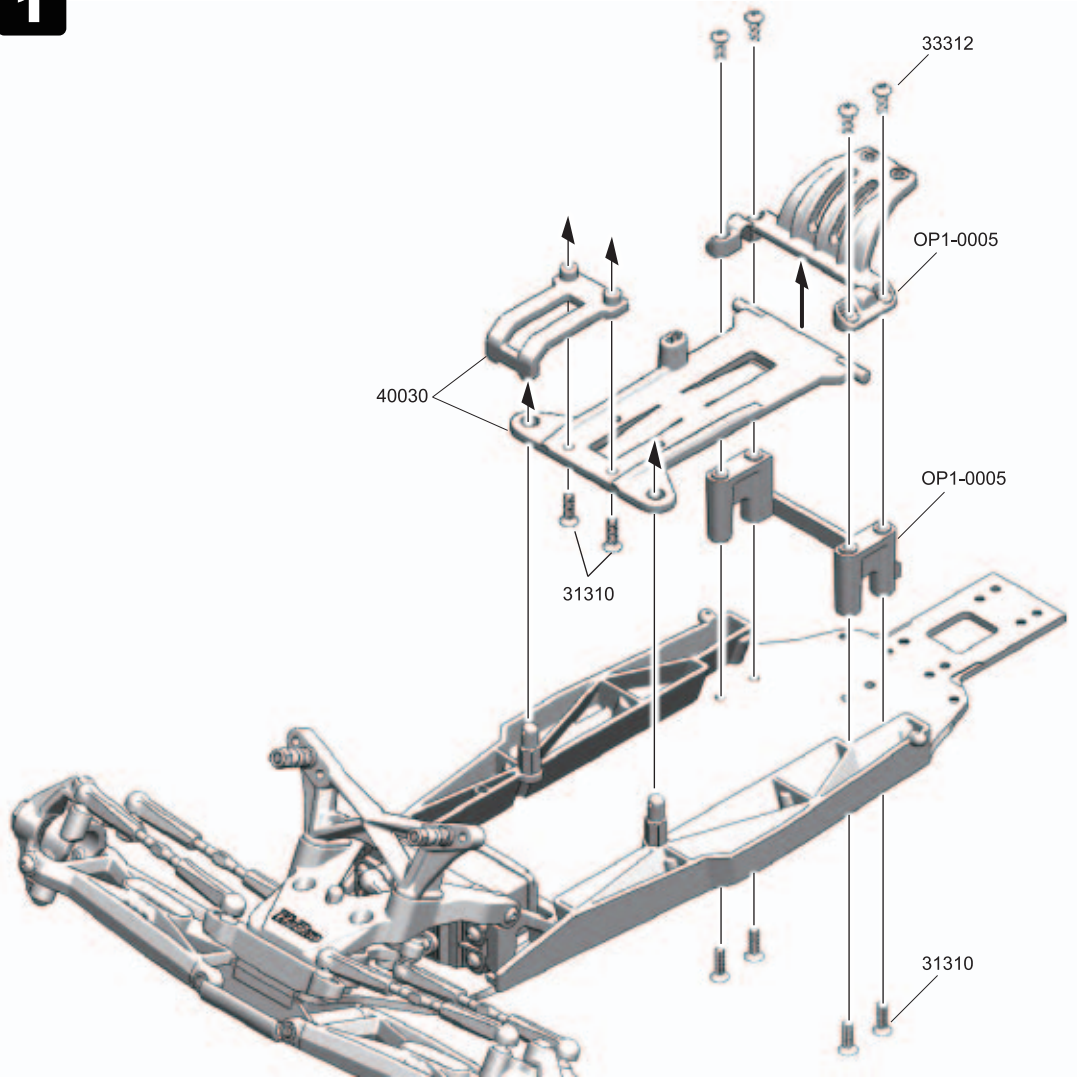


33312
3x12mm x4
B/H Screw



31310
3x10mm x6
F/H Screw

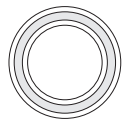
1



Transmission Assembly 1

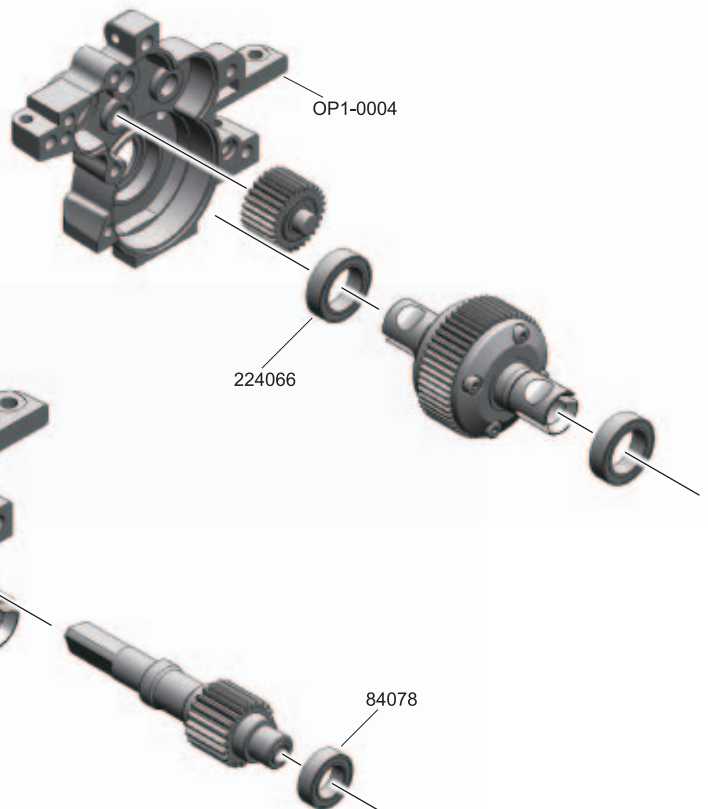
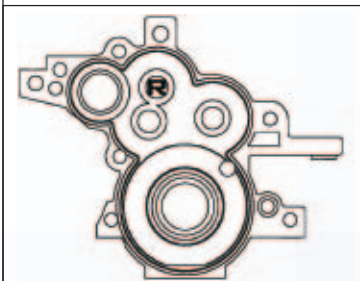


84078
6x10x3mm x1
Ball Bearing



224066
10x15x4mm x2
Ball Bearing

2



Transmission Assembly 2

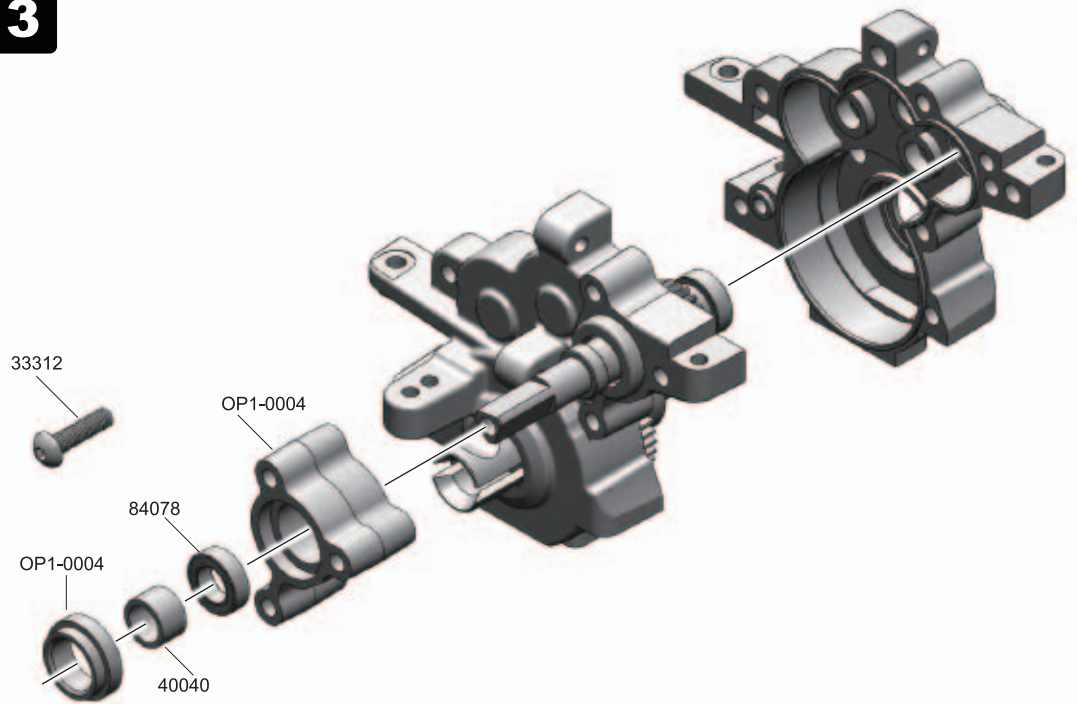


33312
3x12mm x1
B/H Screw



84078
6x10x3mm x1
Ball Bearing

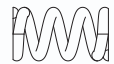
3



Motor Mount Assembly

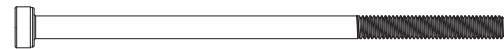


40040
Slipper Washer



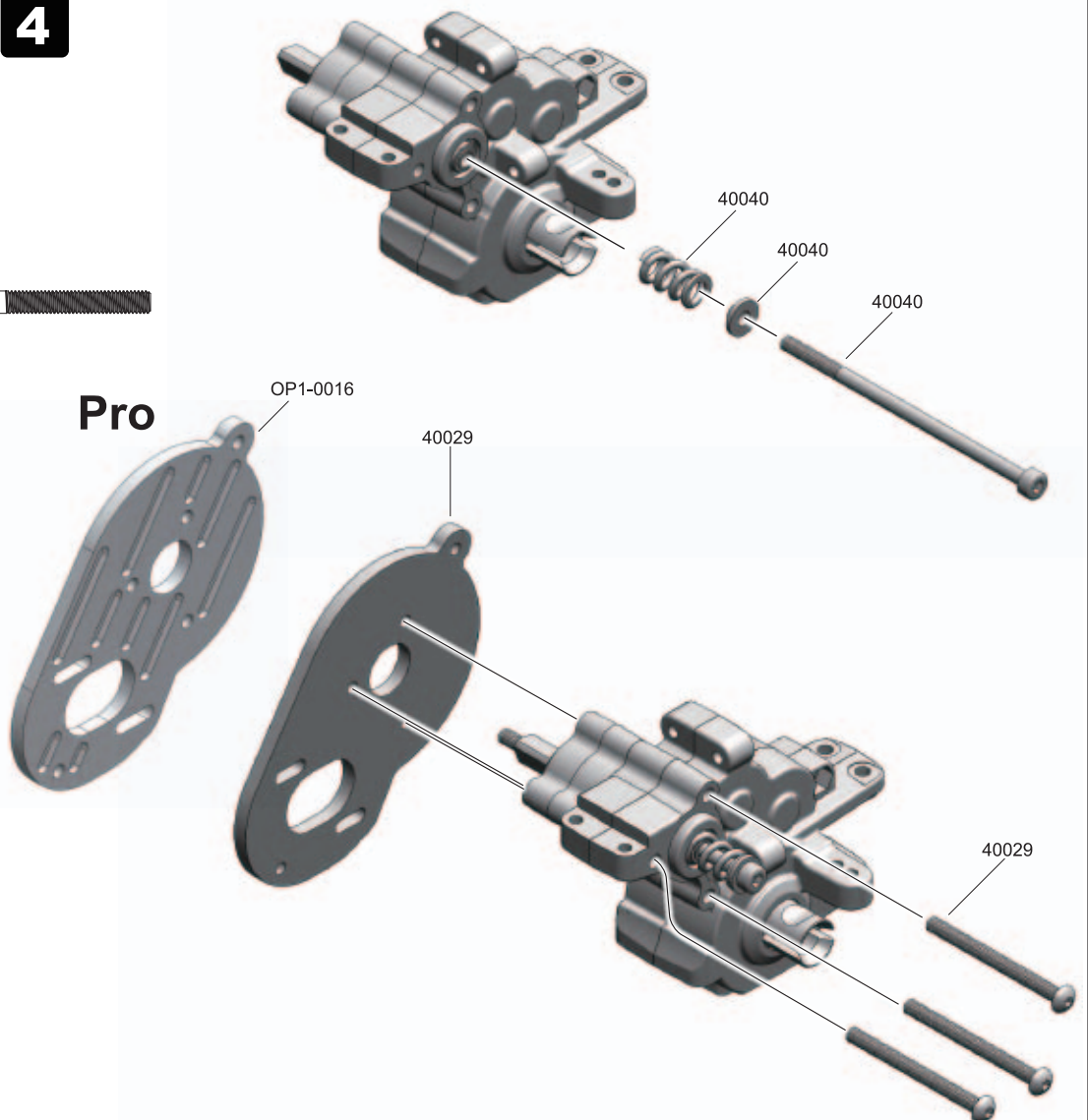
40040
Slipper Spring

40040
3x65mm
Cap Screw



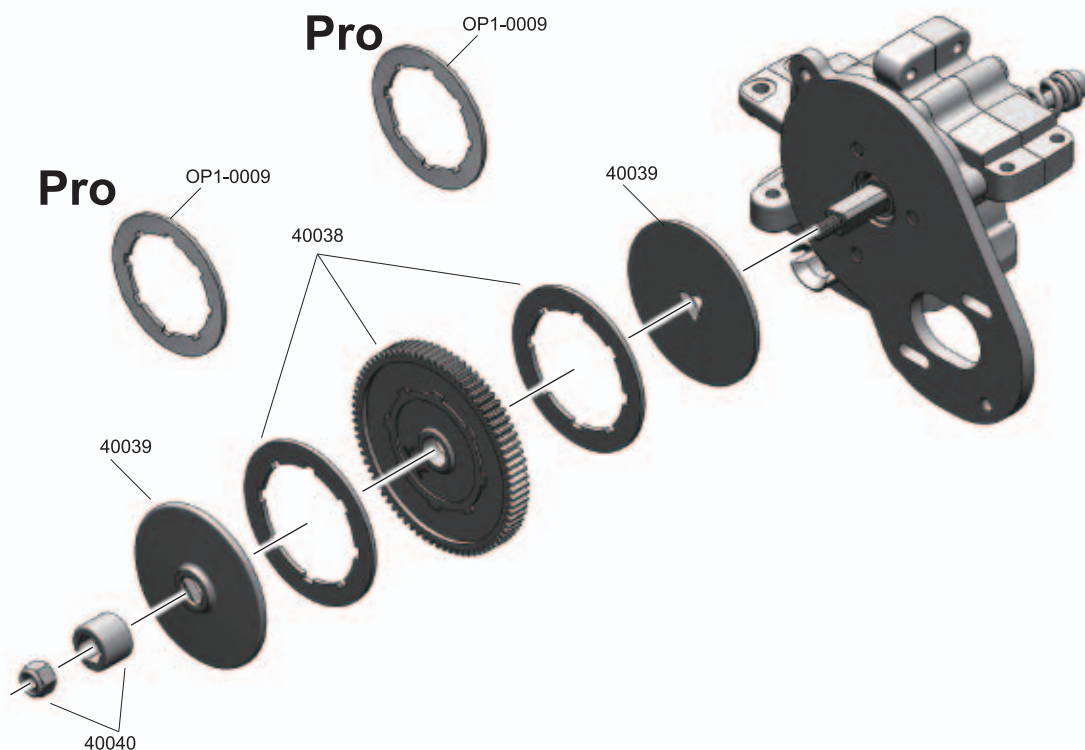
40029
3x35mm x3
B/H Screw

4



Slipper Assembly

5



Rear Shock Tower Assembly

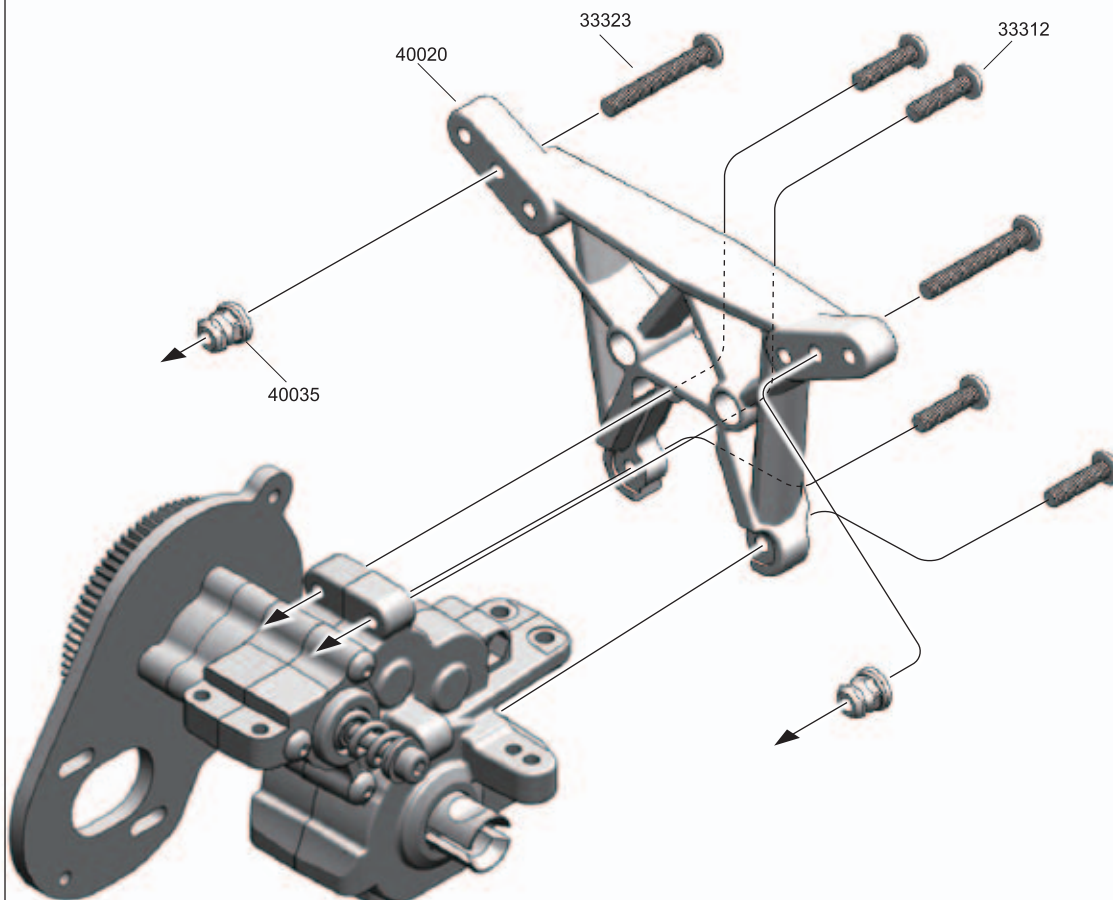
6



33312
3x12mm x4
B/H Screw



33323
3x23mm x2
B/H Screw



Rear Suspension Arm Assembly

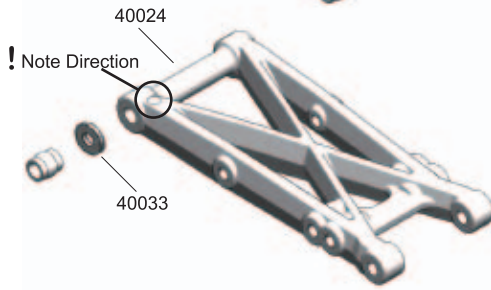


40033
3x7x0.5mm x2
Washer

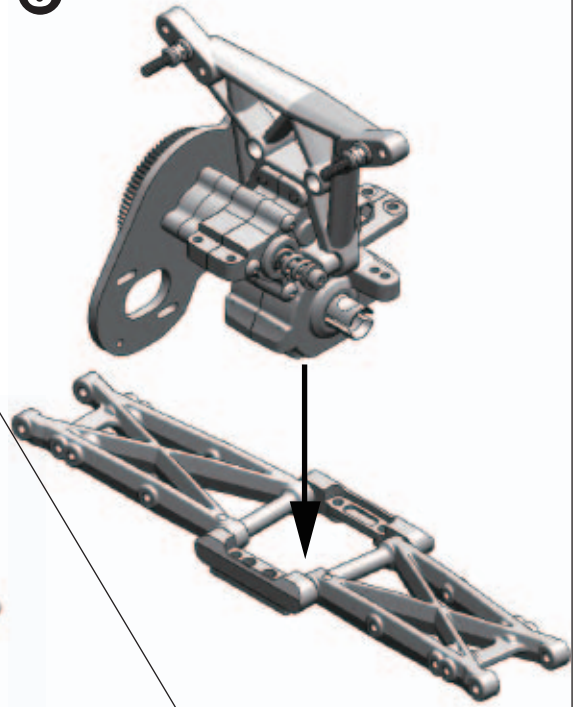
7

1

40023



3



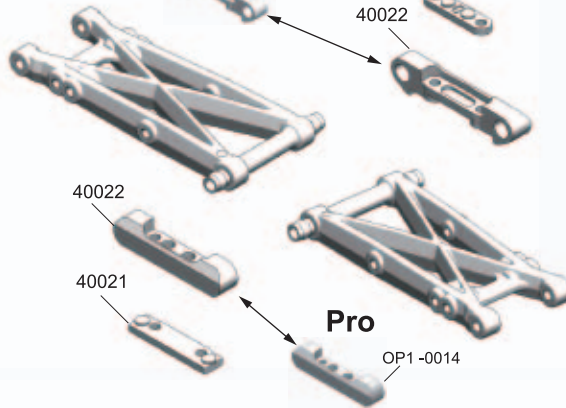
2

Pro

OP1-0015

40021

40022



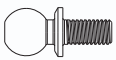
40022

40021

Pro

OP1-0014

Rear Wheel Hub / CVD Assembly



40034
4.8xM3x7mm x2
Ball Stud



84077
5x10x4mm x2
Ball Bearing



40036
5x13x4mm x2
Ball Bearing



40025
3mm x4
E-Clip



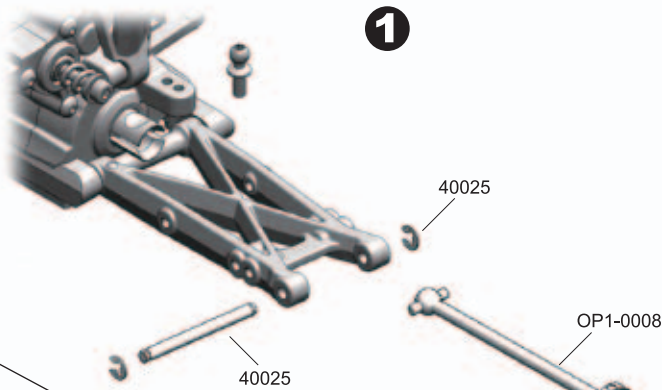
40033
3x7x1mm x4
Washer



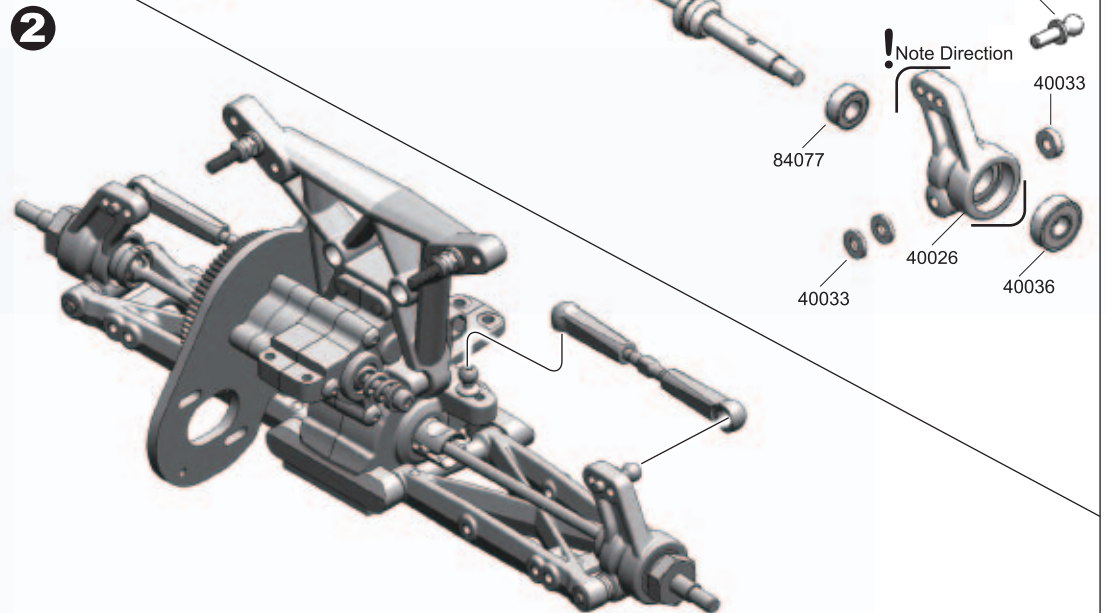
40033
3x7x2mm x2
Washer

8

1



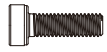
2



Motor Assembly

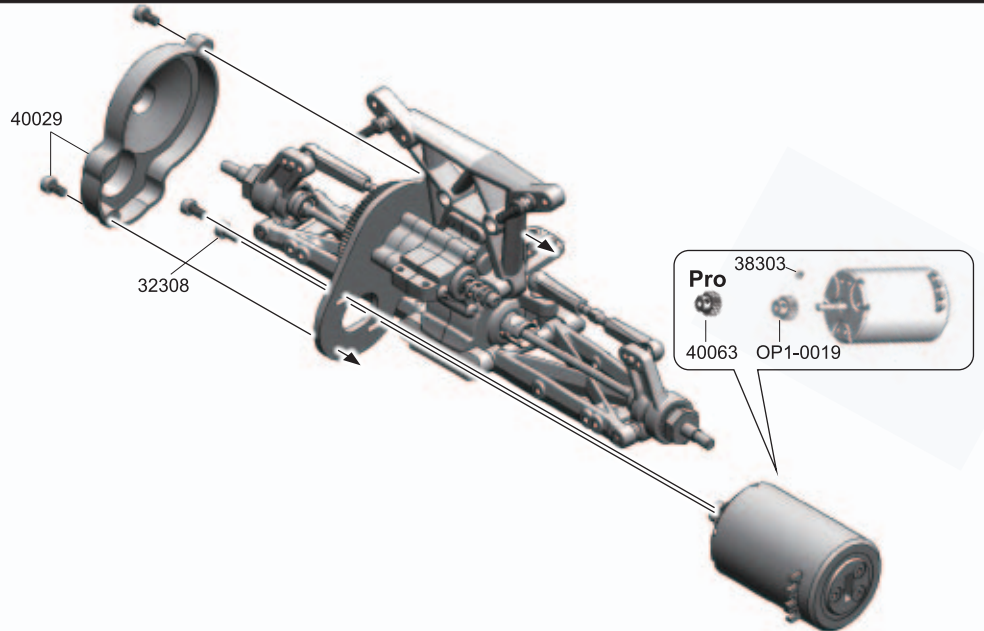


40029
3x6mm x2
Cap Screw



32308
3x8mm x2
Cap Screw

9



Rear Wing Mount Assembly



33312
3x12mm x4
B/H Screw

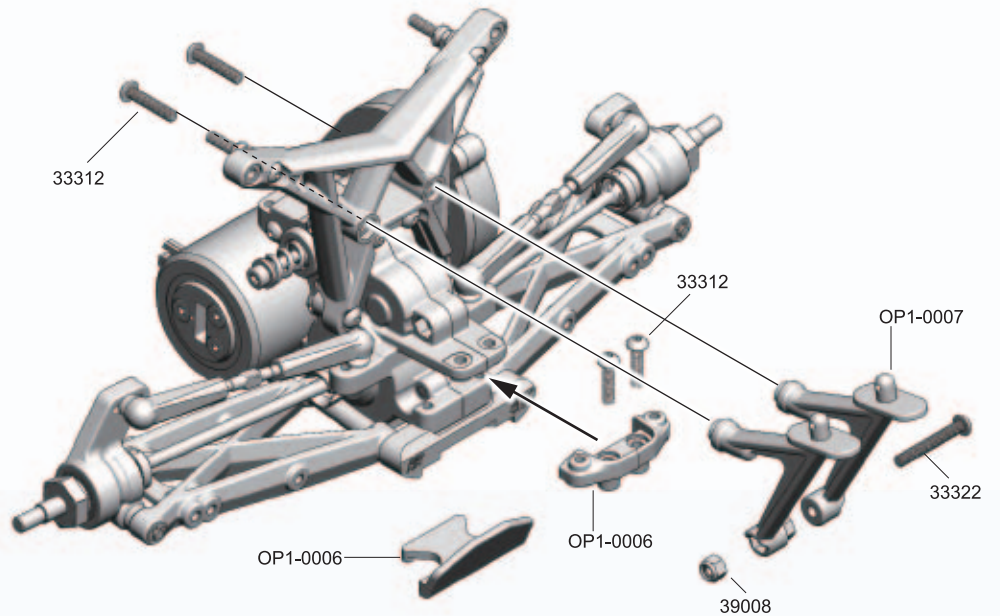


33322
3x22mm x1
B/H Screw



39008
M3 Nut x 1

10



Rear Clip Assembly

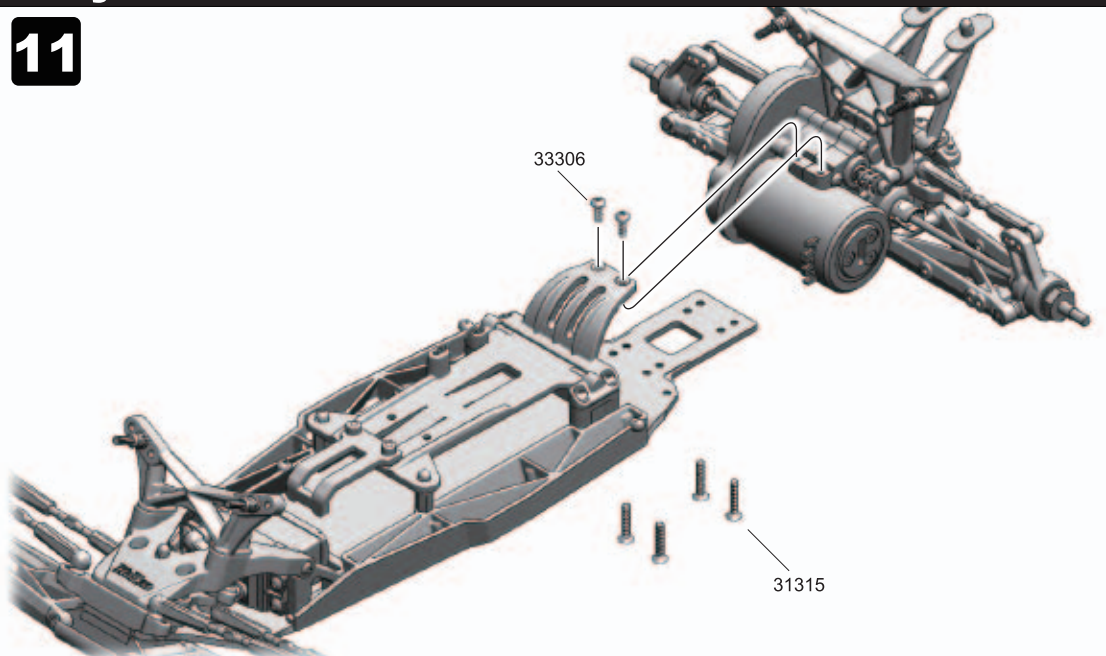


33306
3x6mm x2
B/H Screw



31315
3x15mm x4
F/H Screw

11



NOTE

STANDARD PARTS		40044 REAR SHOCK BODY	OPTIONAL PARTS
40001	BEVEL GEAR	40045 SHOCK CAP TOP	OP1-0001 ALUM LIGHT WEIGHT CHASSIS
40002	DIFFERENTIAL CASE	40046 SHOCK CAP BOTTOM	OP1-0002 L/R SIDE GUARD
40003	DIFFERENTIAL OUTDRIVE CUP	40047 ADJUSTABLE SHOCK RING	OP1-0003 BATTERY MOUNT
40004	IDLER GEAR	40048 SHOCK NYLON SET	OP1-0004 MID MOTOR GEAR BOX SET
40005	GEAR BOX	40049 SHOCK PISTON SET	OP1-0005 MID MOTOR BATTERY TRAY SET
40006	COMPOSITE CHASSIS	40050 F/R SHOCK SPRING	OP1-0006 MID MOTOR VERSION PARTS
40007	FRONT SHOCK TOWER	40051 BALL 5.8MM	OP1-0007 MID MOTOR WING MOUNT
40008	FRONT BULKHEAD	40052B/W/Y FRONT WHEEL	OP1-0009 SLIPPER PADS
40009	FRONT PIVOT BLOCK & KICK PLATE	40054 FRONT TIRE INSERT	OP1-0010 SHOCK SPRING HARD-ORANGE
40010	FRONT SUSPENSION ARM HOLDER	40055B/W/Y REAR WHEEL	OP1-0011 CNC FRONT LOWER SUSPENSION ARM HOLDER
40011	FRONT SUSPENSION ARM	40057 REAR TIRE INSERT	OP1-0012 CNC FRONT C-HUB SET
40012	FRONT C-HUB SET	40058 FRONT SHOCK ABSORBER SET	OP1-0013 LIGHT WEIGHT DIFF. OUTDRIVE CUP
40013	STEERING KNUCKLE SET	40059 REAR SHOCK ABSORBER SET	OP1-0014 REAR SUSPENSION ARM HOLDER (RF)
40014	PIN 3.5x41MM	40060 FRONT/REAR SHOCK ABSORBER SET	OP1-0015 REAR SUSPENSION ARM HOLDER (RR)
40015	FRONT AXLE	40061 PAINTED BODY/WING SET	OP1-0016 LIGHT WEIGHT MOTOR MOUNT
40016	STEERING RACK POST	40064 SERVO SAVER HORN SET	OP1-0017 CNC REAR HUB SET
40017	STEERING RACK SET	BT-701 FRONT TIRE	OP1-0018 CNC REAR WHEEL HEX SET
40018	SERVO HORN SET	BT-702 REAR TIRE	OP1-0020 PINION GEAR 23T
40019	SERVO MOUNT	84077 BEARING 5x10x4MM	OP1-0021 CLEAR BODY/WING SET
40020	REAR SHOCK TOWER	84078 BEARING 6x10x3MM	OP1-0022 SHOCK SPRING MEDIUM-WHITE
40021	ANTI-SQUAT SET	224064 BEARING 5x8x2.5MM	OP1-0023 SHOCK SPRING SOFT-BLUE
40022	REAR SUSPENSION ARM HOLDER	224066 BEARING 10x15x4MM	CK-0001 CONVERSION KIT FOR RTR
40023	PIN 3.5x45.5MM	11235 TURNBUCKLE	40062 PINION GEAR 21T
40024	REAR SUSPENSION ARM	84062-1 BODY FOAM SPACER	40063 PINION GEAR 24T
40025	PIN 3x35MM	84135 WHEEL NUT 4MM	
40026	REAR HUB SET	87018 SHOCK BOOTS	
40027	REAR WHEEL HEX SET	T101 BODY CLIP	
40028	REAR WING MOUNT	OP1-0008 CVD SHAFT	
40029	MOTOR MOUNT & COVER	OP1-0019 PINION GEAR 22T	
40030	BATTERY TRAY COVER SET		
40031	FRONT/REAR BUMPER SET		
40032	BALL END 4.8MM		
40033	ADJUSTMENT SPACER SET		
40034	BALL STUD 4.8MM		
40035	SHOCK BUSHING		
40036	BEARING 5x13x4MM		
40038	SPUR GEAR 76T		
40039	SLIPPER HUB		
40040	TOP SHAFT SET		
40041	FRONT/REAR SHOCK SHAFT		
40042	SHOCK BLADDER		
40043	FRONT SHOCK BODY		



PARTS LIST

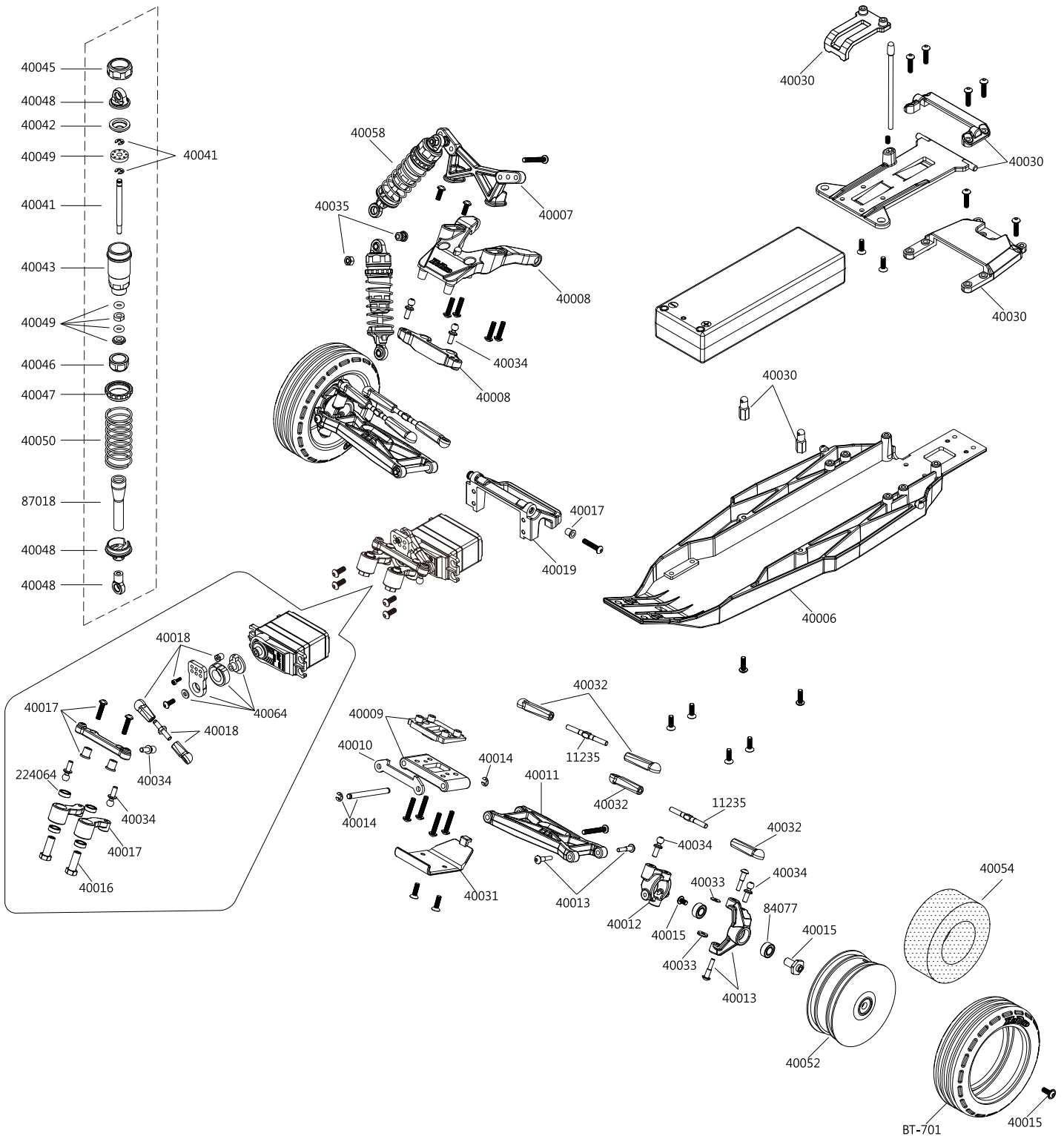
1/10 SCALE PRO BUGGY

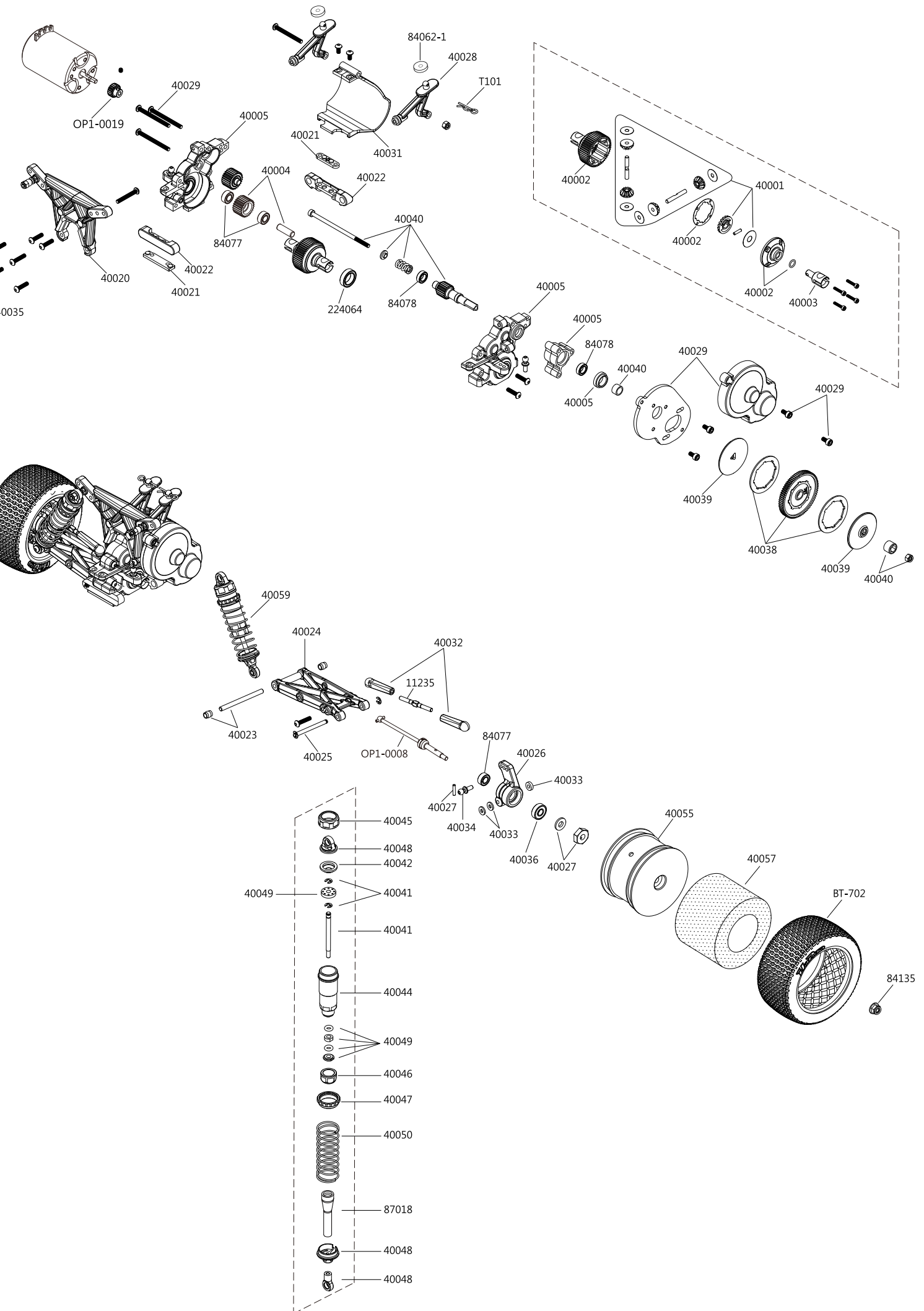
STANDARD PARTS		40047	ADJUSTABLE SHOCK RING	OPTIONAL PARTS	
40001	BEVEL GEAR	40048	SHOCK NYLON SET	OP1-0011	CNC FRONT LOWER SUSPENSION ARM HOLDER
40002	DIFFERENTIAL CASE	40049	SHOCK PISTON SET	OP1-0012	CNC FRONT C-HUB SET
40004	IDLER GEAR	40051	BALL 5.8MM	OP1-0017	CNC REAR HUB SET
40005	GEAR BOX	40052W	FRONT WHEEL	OP1-0018	CNC REAR WHEEL HEX SET
40007	FRONT SHOCK TOWER	40054	FRONT TIRE INSERT	OP1-0019	PINION GEAR 22T
40008	FRONT BULKHEAD	40055W	REAR WHEEL	OP1-0020	PINION GEAR 23T
40009	FRONT PIVOT BLOCK & KICK PLATE	40057	REAR TIRE INSERT	OP1-0022	SHOCK SPRING MEDIUM-WHITE
40010	FRONT SUSPENSION ARM HOLDER	40058	FRONT SHOCK ABSORBER SET	OP1-0023	SHOCK SPRING SOFT-BLUE
40011	FRONT SUSPENSION ARM	40059	REAR SHOCK ABSORBER SET	CK-0001	CONVERSION KIT FOR RTR
40012	FRONT C-HUB SET	40060	FRONT/REAR SHOCK ABSORBER SET	40062	PINION GEAR 21T
40013	STEERING KNUCKLE SET	40063	PINION GEAR 24T		
40014	PIN 3.5x41MM	BT-701	FRONT TIRE		
40015	FRONT AXLE	BT-702	REAR TIRE		
40016	SERVO SAVER POST	84077	BEARING 5x10x4MM		
40017	SERVO SAVER ARM SET	84078	BEARING 6x10x3MM		
40018	SERVO HORN SET	224064	BEARING 5x8x2.5MM		
40019	SERVO MOUNT	224066	BEARING 10x15x4MM		
40020	REAR SHOCK TOWER	11235	TURNBUCKLE		
40021	ANTI-SQUAT SET	84062-1	BODY FOAM SPACER		
40023	PIN 3.5x45.5MM	84135	WHEEL NUT 4MM		
40024	REAR SUSPENSION ARM	87018	SHOCK BOOTS		
40025	PIN 3x35MM	T101	BODY CLIP		
40026	REAR HUB SET	OP1-0001	ALUM LIGHT WEIGHT CHASSIS		
40028	REAR WING MOUNT	OP1-0002	L/R SIDE GUARD		
40029	MOTOR MOUNT & COVER	OP1-0003	BATTERY MOUNT		
40030	BATTERY TRAY COVER SET	OP1-0004	MID MOTOR GEAR BOX SET		
40031	FRONT/REAR BUMPER SET	OP1-0005	MID MOTOR BATTERY TRAY SET		
40032	BALL END 4.8MM	OP1-0006	MID MOTOR VERSION PARTS		
40033	ADJUSTMENT SPACER SET	OP1-0007	MID MOTOR WING MOUNT		
40034	BALL STUD 4.8MM	OP1-0008	CVD SHAFT		
40035	SHOCK BUSHING	OP1-0009	SLIPPER PADS		
40036	BEARING 5x13x4MM	OP1-0010	SHOCK SPRING HARD-ORANGE		
40037	REAR AXLE & CUP	OP1-0013	LIGHT WEIGHT DIFF. OUTDRIVE CUP		
40038	SPUR GEAR 76T	OP1-0014	REAR SUSPENSION ARM HOLDER (RF)		
40039	SLIPPER HUB	OP1-0015	REAR SUSPENSION ARM HOLDER (RR)		
40040	TOP SHAFT SET	OP1-0016	LIGHT WEIGHT MOTOR MOUNT		
40041	FRONT/REAR SHOCK SHAFT	OP1-0021	CLEAR BODY/WING SET		
40042	SHOCK BLADDER				
40043	FRONT SHOCK BODY				
40044	REAR SHOCK BODY				
40045	SHOCK CAP TOP				
40046	SHOCK CAP BOTTOM				

1/10 SCALE 2WD BUGGY

HYPER #2

RTR



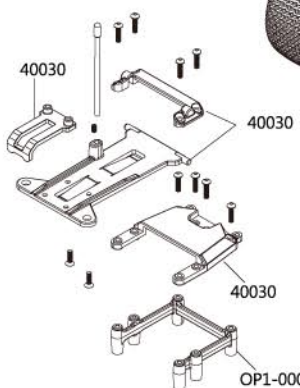
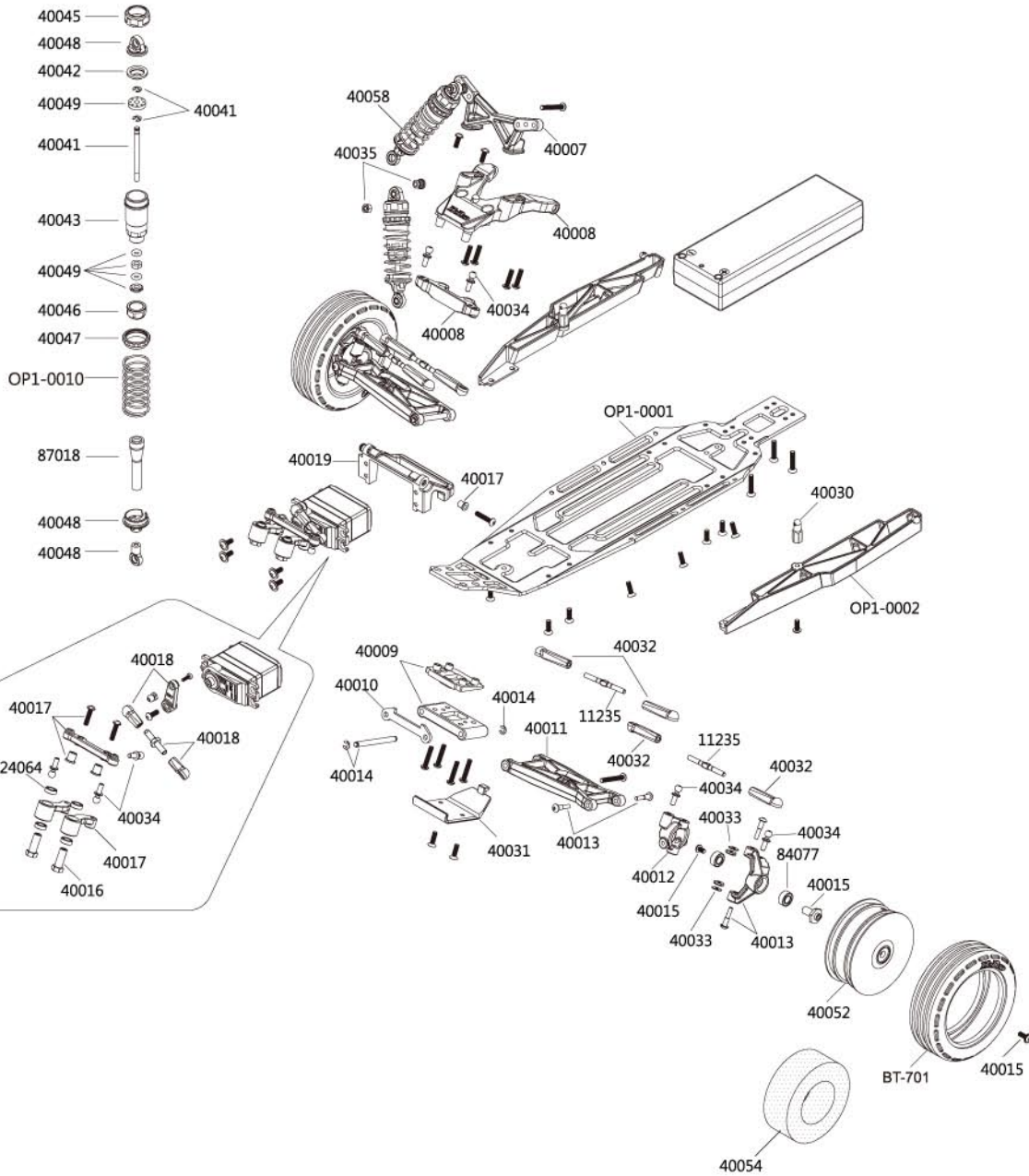


1/10 SCALE 2WD BUGGY

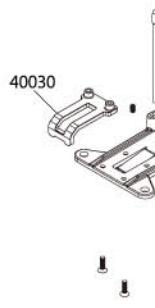
HYPER H2

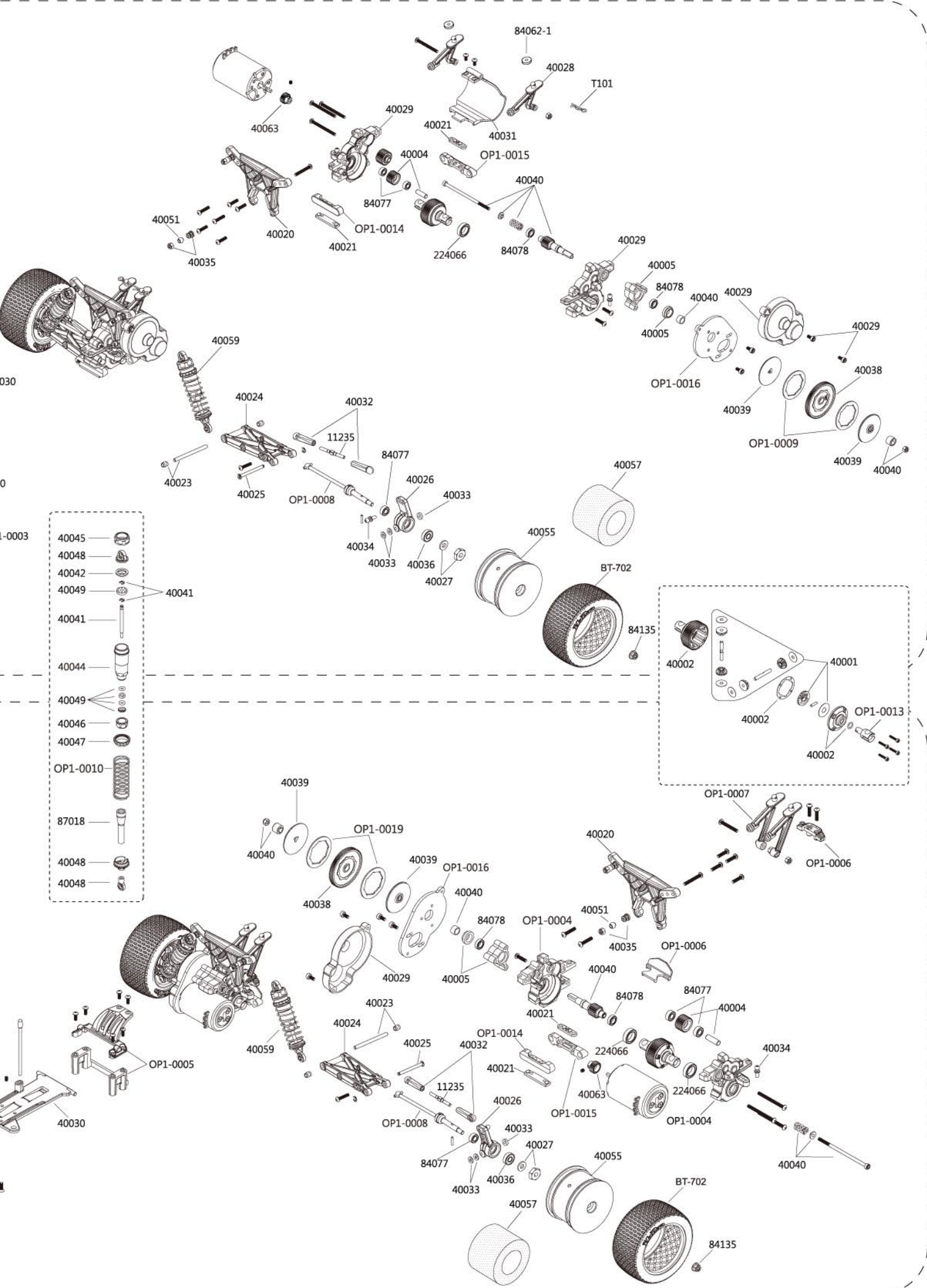
PRO

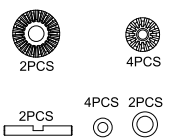
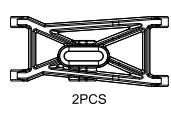
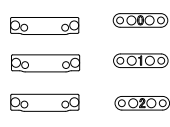
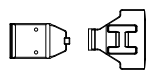


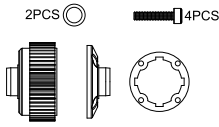
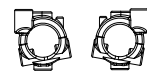
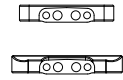
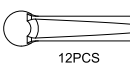
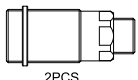
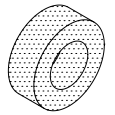
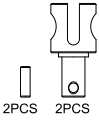
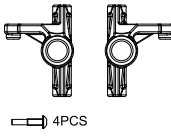

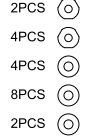


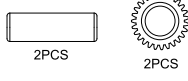


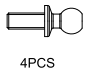
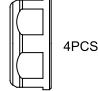
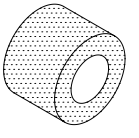
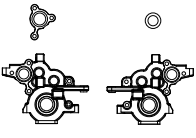
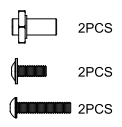
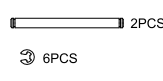
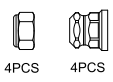

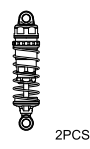
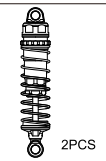

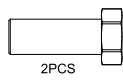
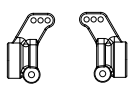
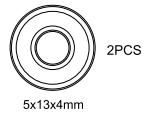
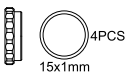
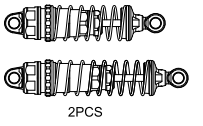
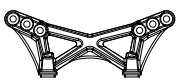
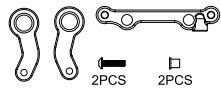
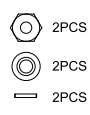
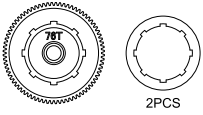

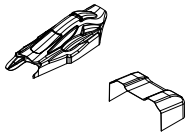
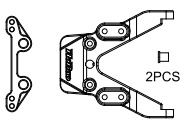
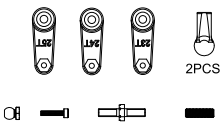
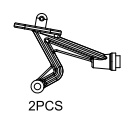

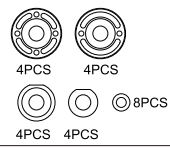
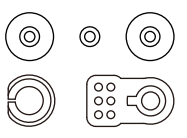
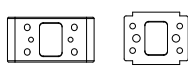
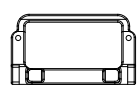
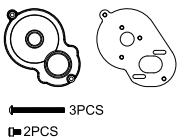
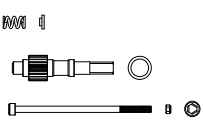
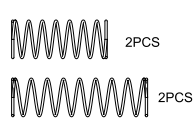
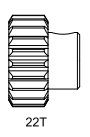
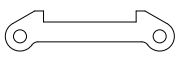
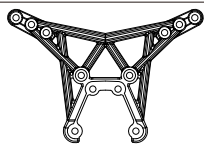
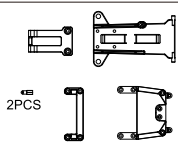
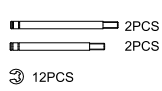
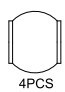

RR





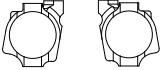
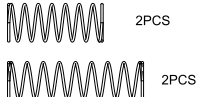
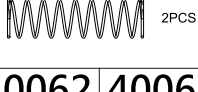


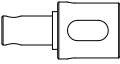
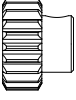
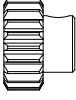

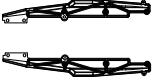


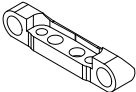
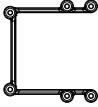
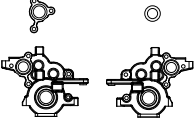

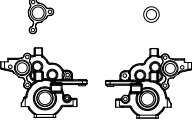
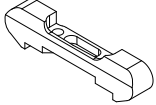
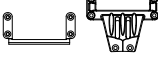
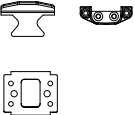

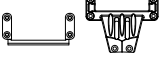
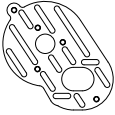
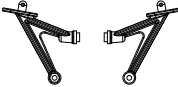
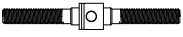
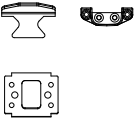


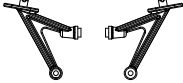


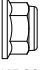

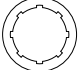
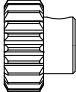

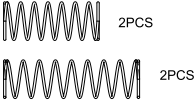

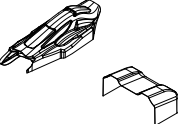
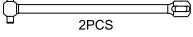
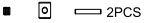


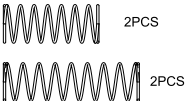

MR

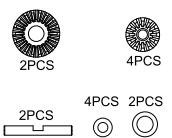
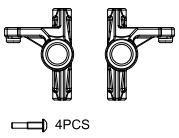
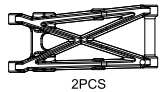
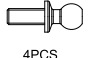
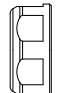

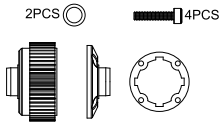
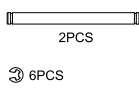
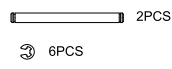
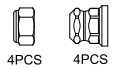


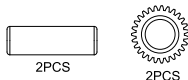
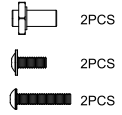
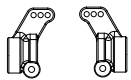
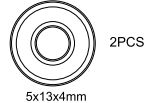
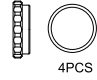
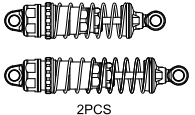
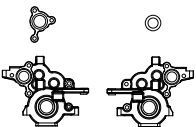

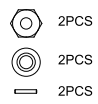
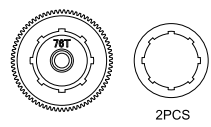

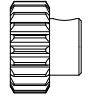

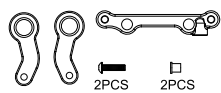


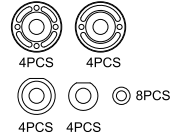

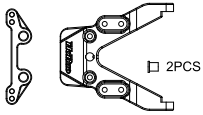
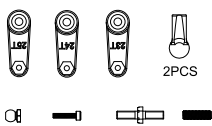
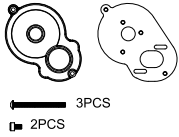
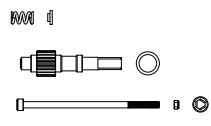
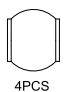

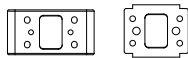
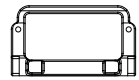
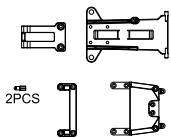


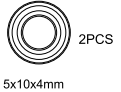
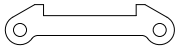
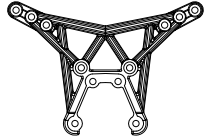
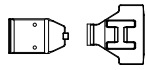

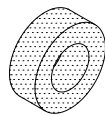
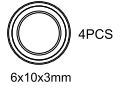
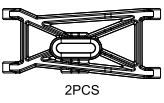
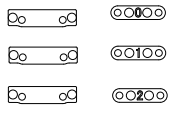




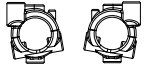
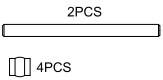
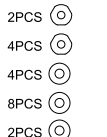

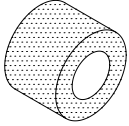
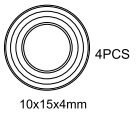




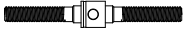

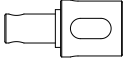
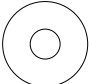
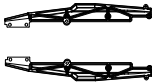
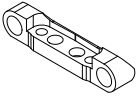

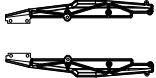
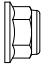
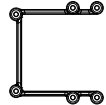
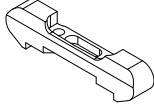
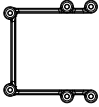
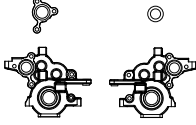

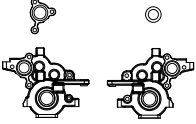


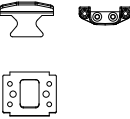

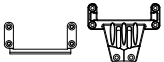
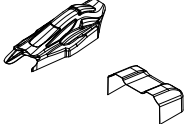
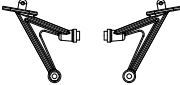
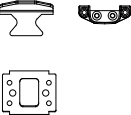
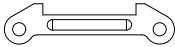
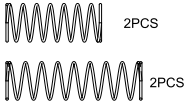
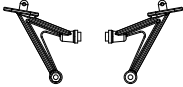
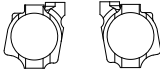
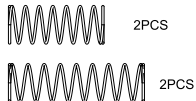
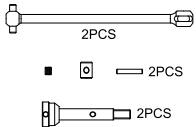
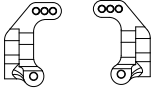
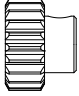
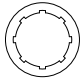
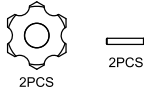
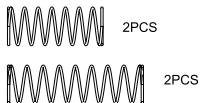
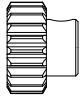
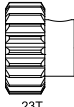
<p>40001</p> 	<p>40011</p> 	<p>40021</p> 	<p>40031</p> 	<p>40042</p> 	<p>40052B/W/Y</p> 	
<p>40002</p> 	<p>40012</p> 	<p>40022</p> 	<p>40032</p> 	<p>40043</p> 	<p>40054</p> 	
<p>40003</p> 	<p>40013</p> 	<p>40023</p> 	<p>40033</p> 	<p>40044</p> 	<p>40055B/W/Y</p> 	
<p>40004</p> 	<p>40014</p> 	<p>40024</p> 	<p>40034</p> 	<p>40045</p> 	<p>40057</p> 	
<p>40005</p> 	<p>40015</p> 	<p>40025</p> 	<p>40035</p> 	<p>40046</p> 	<p>40058</p> 	<p>40059</p> 
<p>40006</p> 	<p>40016</p> 	<p>40026</p> 	<p>40036</p> 	<p>40047</p> 	<p>40060</p> 	
<p>40007</p> 	<p>40017</p> 	<p>40027</p> 	<p>40038</p> 	<p>40048</p> 	<p>40061</p> 	
<p>40008</p> 	<p>40018</p> 	<p>40028</p> 	<p>40039</p> 	<p>40049</p> 	<p>40064</p> 	
<p>40009</p> 	<p>40019</p> 	<p>40029</p> 	<p>40040</p> 	<p>40050</p> 	<p>OP1-0019</p> 	
<p>40010</p> 	<p>40020</p> 	<p>40030</p> 	<p>40041</p> 	<p>40051</p> 	<p>BT-701</p> 	

RTR RACING BUGGY

BT-702		OP1-0001  2PCS	OP1-0012  2PCS	OP1-0023  2PCS  2PCS	CK-0001		
84077	 2PCS 5x10x4mm	OP1-0002 	OP1-0013  2PCS	40062  21T	40063  24T	OP1-0001  2PCS	OP1-0002 
84078	 4PCS 6x10x3mm	OP1-0003 	OP1-0014 			OP1-0003 	OP1-0004 
224064	 4PCS 5x8x2.5mm	OP1-0004 	OP1-0015 			OP1-0005 	OP1-0006 
224066	 4PCS 10x15x4mm	OP1-0005 	OP1-0016 			OP1-0007 	
11235	 4PCS	OP1-0006 	OP1-0017 				
84062-1	 10PCS	OP1-0007 	OP1-0018  2PCS  2PCS				
84135 87018	 10PCS 	OP1-0009  2PCS	OP1-0020  23T				
T101	 8PCS	OP1-0010  2PCS  2PCS	OP1-0021 				
OP1-0008	 2PCS  2PCS  2PCS	OP1-0011 	OP1-0022  2PCS  2PCS				

40001 	40013 	40024 	40034 	40045 	40058 
40002 	40014 	40025 	40035 	40046 	40059 
40004 	40015 	40026 	40036 	40047 	40060 
40005 	40016 	40027 	40038 	40048 	40063 
40007 	40017 	40028 	40039 	40049 	BT-701 
40008 	40018 	40029 	40040 	40051 	BT-702 
40009 	40019 	40030 	40041 	40052W 	84077 
40010 	40020 	40031 	40042 	40054 	84078 
40011 	40021 	40032 	40043 	40055W 	224064 
40012 	40023 	40033 	40044 	40057 	224066 

PRO RACING BUGGY

11235  4PCS	OP1-0001  2PCS	OP1-0013  2PCS		CK-0001	
84062-1  10PCS	OP1-0002  2PCS	OP1-0014  2PCS		OP1-0001  2PCS	OP1-0002  2PCS
84135  10PCS	OP1-0003  2PCS	OP1-0015  2PCS		OP1-0003  2PCS	OP1-0004  2PCS
87018  2PCS	OP1-0004  2PCS	OP1-0016  2PCS		OP1-0005  2PCS	OP1-0006  2PCS
T101  8PCS	OP1-0005  2PCS	OP1-0021  2PCS		OP1-0007  2PCS	
	OP1-0006  2PCS			OP1-0011  2PCS	OP1-0022  4PCS
	OP1-0007  2PCS			OP1-0012  2PCS	OP1-0023  4PCS
	OP1-0008  6PCS			OP1-0017  2PCS	40062  21T
	OP1-0009  2PCS			OP1-0018  2PCS	
	OP1-0010  4PCS			OP1-0019  22T	
				OP1-0020  23T	

SETUP SHEET

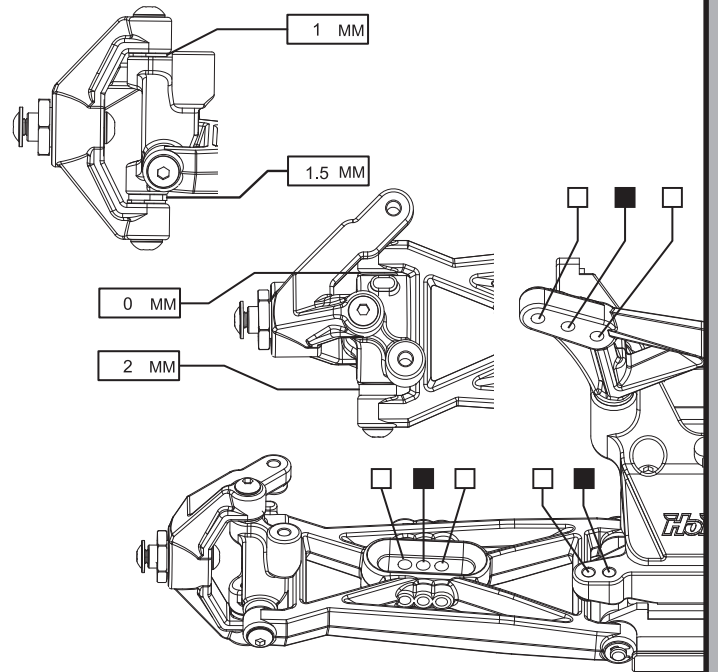
Name: RTR Standard Setup **Date:** _____
Event: _____ **Track:** _____

Track Conditions

<input type="checkbox"/> Smooth	<input type="checkbox"/> Hard Packed	<input type="checkbox"/> Blue Groove	<input type="checkbox"/> Wet
<input type="checkbox"/> Rough	<input type="checkbox"/> Loose	<input type="checkbox"/> Dry	<input type="checkbox"/> Dusty
<input type="checkbox"/> Grass	<input type="checkbox"/> Low Traction	<input type="checkbox"/> High Traction	Temp _____ °C/°F
<input type="checkbox"/> Astro Turf	<input type="checkbox"/> Med Traction	<input type="checkbox"/> Other _____	

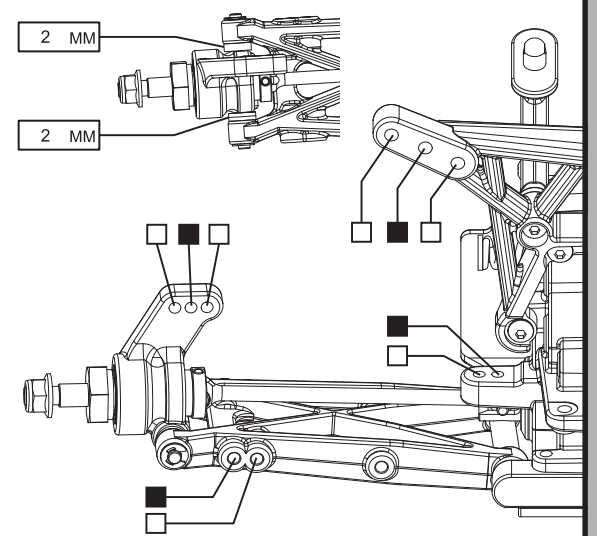
Front Suspension

Toe: 0°
 Ride Height: 22.5mm
 Camber: -1°
 Caster: 30° 35°
 Kick Angle: 20° 25°
 Shock Oil: #300
 Piston: 4 hole
 Spring: silver
 Bump Steer Spacer: _____



Rear Suspension

Chassis Configuration: Rear Motor Mid Motor
 Toe: 4°
 Anti-Squat: 1° 2° 3°
 Ride Height: 22.5mm
 Camber: -1°
 Wheelbase: 284.5mm
 Sway Bar: no
 Shock Oil: #300
 Piston: 4 hole
 Spring: silver
 Differential: Ball Gear Fluid: grease
 Battery Position: _____



Front Tires

Tire: _____
 Compound: _____
 Insert: _____
 Wheel: _____

Rear Tires

Tire: _____
 Compound: _____
 Insert: _____
 Wheel: _____

Electronics

Radio: _____ Timing Advance: _____
 Servo: _____ Throttle/Brake Expo: _____
 ESC: _____ Servo Expo: _____
 Throttle/Brake EPA: _____
 Initial Brake: _____ Motor: _____
 Drag Brake: _____ Pinion: _____ Spur: _____
 Throttle Profile: _____ Battery: _____

Notes

SETUP SHEET

Name: _____	Date: _____
Event: _____	Track: _____

Track Conditions

<input type="checkbox"/> Smooth	<input type="checkbox"/> Hard Packed	<input type="checkbox"/> Blue Groove	<input type="checkbox"/> Wet
<input type="checkbox"/> Rough	<input type="checkbox"/> Loose	<input type="checkbox"/> Dry	<input type="checkbox"/> Dusty
<input type="checkbox"/> Grass	<input type="checkbox"/> Low Traction	<input type="checkbox"/> High Traction	Temp _____ °C/°F
<input type="checkbox"/> Astro Turf	<input type="checkbox"/> Med Traction	<input type="checkbox"/> Other _____	

Front Suspension

Toe: _____

Ride Height: _____

Camber: _____

Caster: 30° 35°

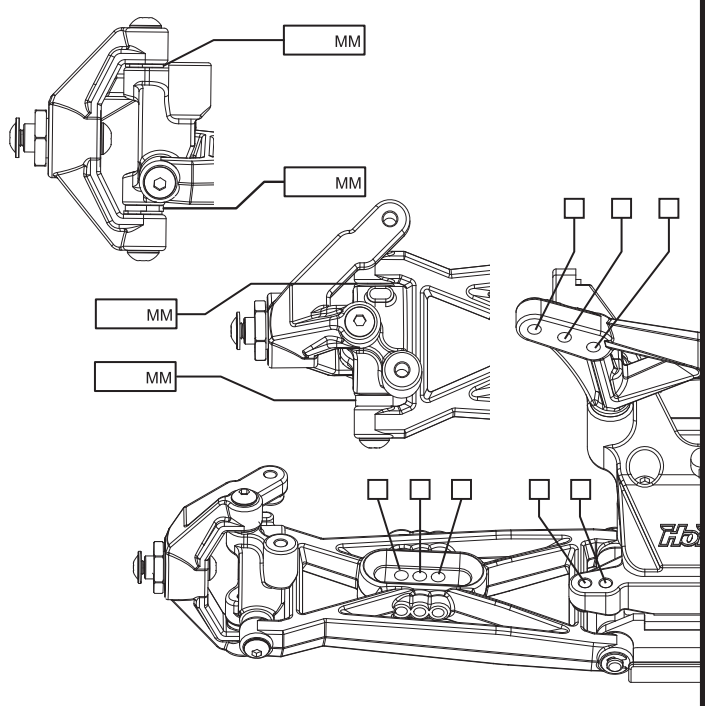
Kick Angle: 20° 25°

Shock Oil: _____

Piston: _____

Spring: _____

Bump Steer Spacer: _____



Rear Suspension

Chassis Configuration: Rear Motor Mid Motor

Toe: _____

Anti-Squat: 1° 2° 3°

Ride Height: _____

Camber: _____

Wheelbase: _____

Sway Bar: _____

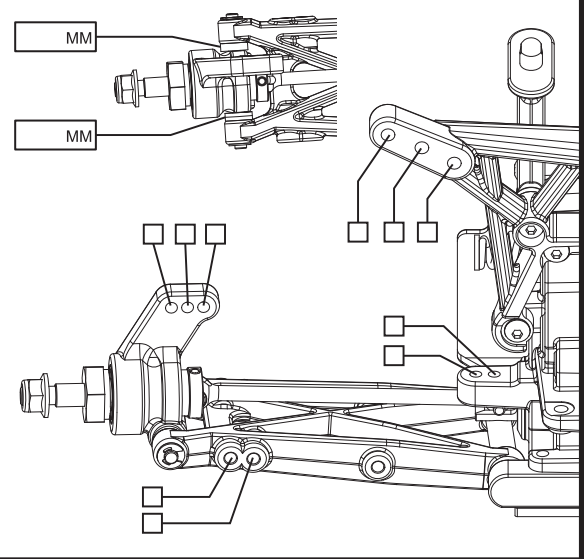
Shock Oil: _____

Piston: _____

Spring: _____

Differential: Ball Gear Fluid: _____

Battery Position: _____



Front Tires

Tire: _____

Compound: _____

Insert: _____

Wheel: _____

Rear Tires

Tire: _____

Compound: _____

Insert: _____

Wheel: _____

Electronics

Radio: _____

Servo: _____

ESC: _____

Initial Brake: _____

Drag Brake: _____

Throttle Profile: _____

Timing Advance: _____

Throttle/Brake Expo: _____

Servo Expo: _____

Throttle/Brake EPA: _____

Motor: _____

Pinion: _____ Spur: _____

Battery: _____

Notes

1/10 SCALE 2WD BUGGY

HYPER #2

HOB AO ENTERPRISING CO.,LTD.

www.hobao-racing.com

E-Mail:hobao@hobao.com.tw

Made in Taiwan