

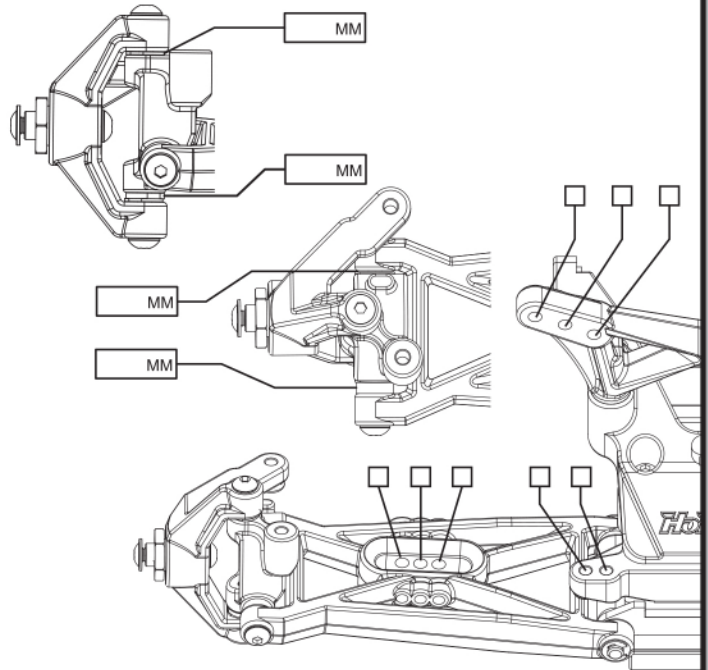
Name: _____ **Date:** _____
Event: _____ **Track:** _____

Track Conditions

Smooth Hard Packed Blue Groove Wet
 Rough Loose Dry Dusty
 Grass Low Traction High Traction Temp _____ °C/°F
 Astro Turf Med Traction Other _____

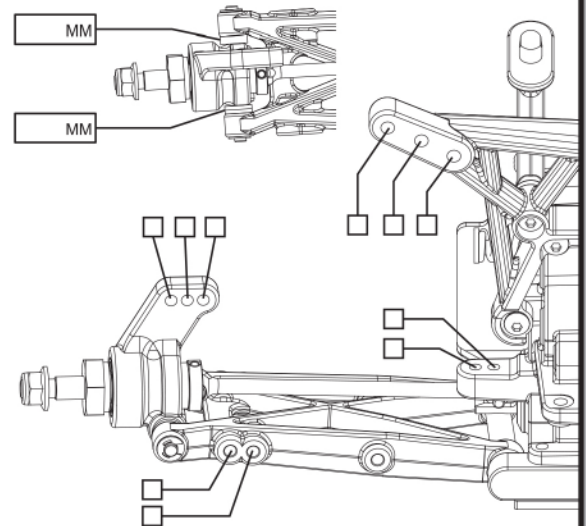
Front Suspension

Toe: _____
 Ride Height: _____
 Camber: _____
 Caster: 30° 35°
 Kick Angle: 20° 25°
 Shock Oil: _____
 Piston: _____
 Spring: _____
 Bump Steer Spacer: _____



Rear Suspension

Chassis Configuration: Rear Motor Mid Motor
 Toe: _____
 Anti-Squat: 1° 2° 3°
 Ride Height: _____
 Camber: _____
 Wheelbase: _____
 Sway Bar: _____
 Shock Oil: _____
 Piston: _____
 Spring: _____
 Differential: Ball Gear Fluid: _____
 Battery Position: _____



Front Tires

Tire: _____
 Compound: _____
 Insert: _____
 Wheel: _____

Rear Tires

Tire: _____
 Compound: _____
 Insert: _____
 Wheel: _____

Electronics

Radio: _____ Timing Advance: _____
 Servo: _____ Throttle/Brake Expo: _____
 ESC: _____ Servo Expo: _____
 Initial Brake: _____ Throttle/Brake EPA: _____
 Drag Brake: _____ Motor: _____
 Throttle Profile: _____ Pinion: _____ Spur: _____
 Battery: _____

Notes

