

SETUP SHEET

Name: RTR Standard Setup

Date: _____

Event: _____

Track: _____

Track Conditions

- | | | | |
|-------------------------------------|---------------------------------------|--|--------------------------------|
| <input type="checkbox"/> Smooth | <input type="checkbox"/> Hard Packed | <input type="checkbox"/> Blue Groove | <input type="checkbox"/> Wet |
| <input type="checkbox"/> Rough | <input type="checkbox"/> Loose | <input type="checkbox"/> Dry | <input type="checkbox"/> Dusty |
| <input type="checkbox"/> Grass | <input type="checkbox"/> Low Traction | <input type="checkbox"/> High Traction | Temp _____ °C/°F |
| <input type="checkbox"/> Astro Turf | <input type="checkbox"/> Med Traction | <input type="checkbox"/> Other _____ | |

Front Suspension

Toe: 0°

Ride Height: 22.5mm

Camber: -1°

Caster: 30° 35°

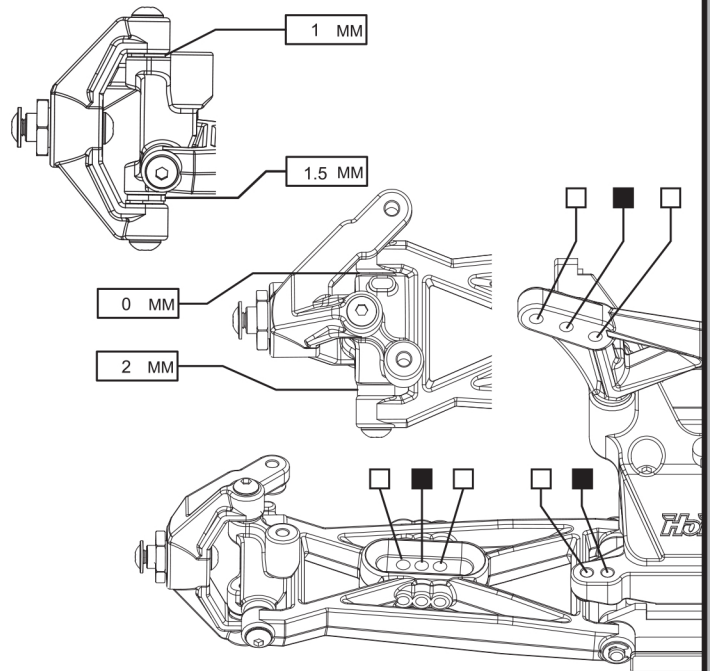
Kick Angle: 20° 25°

Shock Oil: #300

Piston: 4 hole

Spring: silver

Bump Steer Spacer: _____



Rear Suspension

Chassis Configuration: Rear Motor Mid Motor

Toe: 4°

Anti-Squat: 1° 2° 3°

Ride Height: 22.5mm

Camber: -1°

Wheelbase: 284.5mm

Sway Bar: no

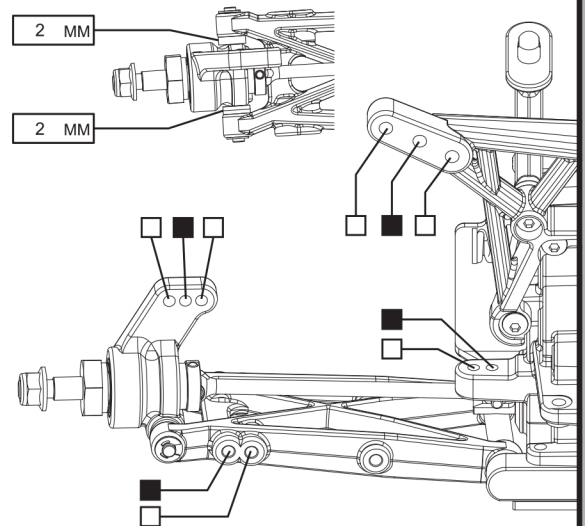
Shock Oil: #300

Piston: 4 hole

Spring: silver

Differential: Ball Gear Fluid: grease

Battery Position: _____



Front Tires

Tire: _____

Compound: _____

Insert: _____

Wheel: _____

Rear Tires

Tire: _____

Compound: _____

Insert: _____

Wheel: _____

Electronics

Radio: _____

Servo: _____

ESC: _____

Initial Brake: _____

Drag Brake: _____

Throttle Profile: _____

Timing Advance: _____

Throttle/Brake Expo: _____

Servo Expo: _____

Throttle/Brake EPA: _____

Motor: _____

Pinion: _____ Spur: _____

Battery: _____

Notes
