



# SBX410 SETUP SHEET

DRIVER: \_\_\_\_\_ DATE: \_\_\_\_\_ TRACK: \_\_\_\_\_ EVENT: \_\_\_\_\_  
 QUALIFYING: \_\_\_\_\_ FINAL: \_\_\_\_\_ LAPS: \_\_\_\_\_ BEST LAP TIME: \_\_\_\_\_

**TRACK CONDITIONS**

SIZE: Open Mixed Tight  
 TRACTION: Low Medium High  
 SURFACE: Smooth Bumpy  
 COMPOSITION: Astroturf Clay Carpet  
 \_\_\_\_\_  
 CONDITION: Dry Dusty Wet

**DIFFERENTIAL**

Fr Oil: \_\_\_\_\_ Ctr Oil: \_\_\_\_\_ Rr Oil: \_\_\_\_\_  
 SLIPPER ADJUST.: \_\_\_\_\_ mm • SLS CARBON

**MOTOR**

\_\_\_\_\_ TIMING: \_\_\_\_\_

**GEARING**

PINION: \_\_\_\_\_ SPUR: \_\_\_\_\_

**BATTERY**

\_\_\_\_\_ TEMP: \_\_\_\_\_

**SPEED CONTROLLER**

\_\_\_\_\_ SETTING: \_\_\_\_\_

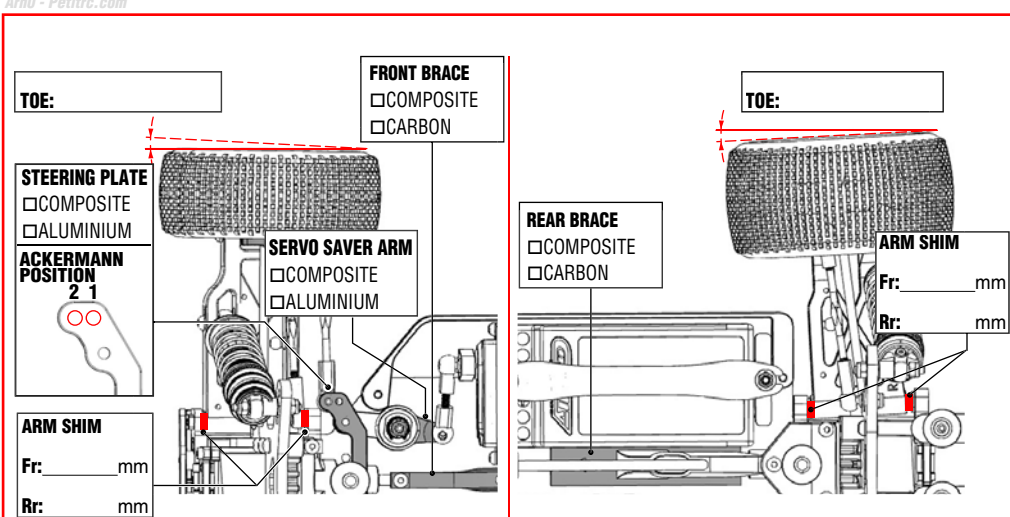
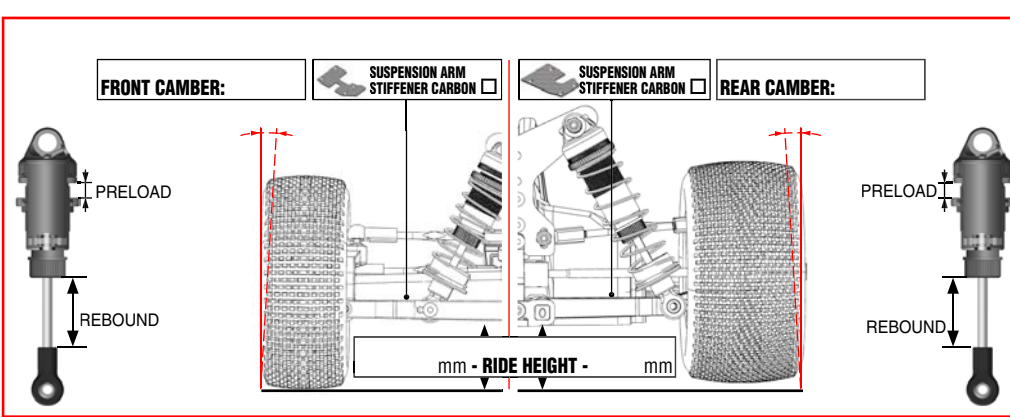
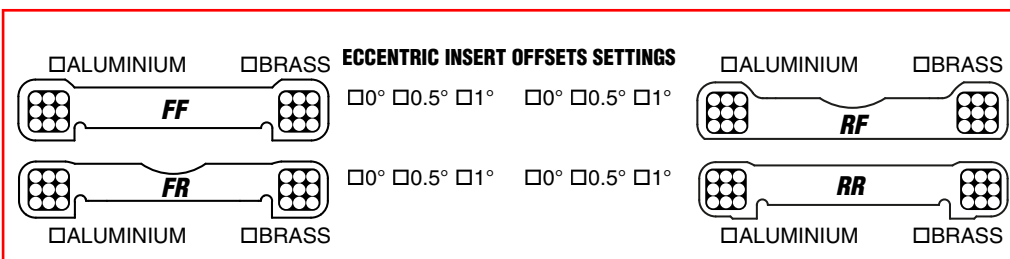
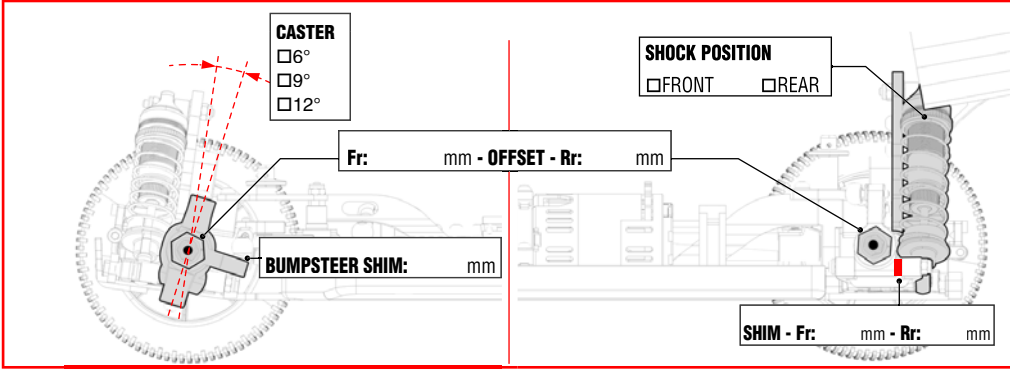
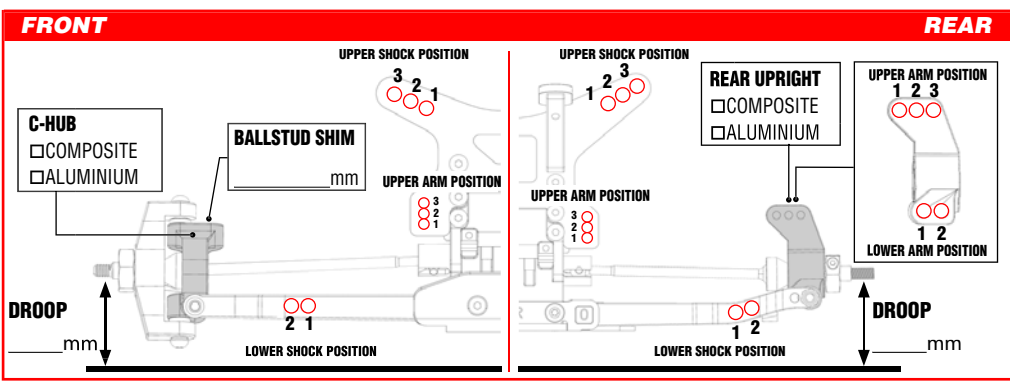
TYRES	FRONT	REAR
TYRE	_____	_____
COMPOUND	_____	_____
INSERT	_____	_____
WHEEL	_____	_____
NOTES	_____	_____

**ANTI ROLL BAR**

FRONT: \_\_\_\_\_ mm REAR: \_\_\_\_\_ mm

**SHOCK ABSORBER**

	FRONT	REAR
SPRING	_____	_____
OIL	_____	_____
PISTON	_____	_____
REBOUND	_____	_____
PRELOAD	_____ mm	_____ mm



NOTES