

4XS SETUP SHEET

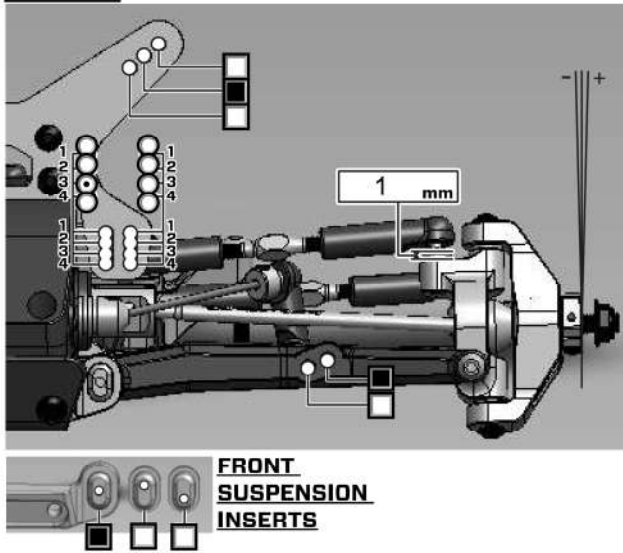
SHORTY PACK


SADDLE PACK

DRIVER: Luke Ellis DATE: /!12?16 AIR TEMP.: 30c HUMIDITY: %
 TRACK: GCRC TRACK CONDITION: Med/High bite Clay TRACK TEMP.:
 FRONT WIDTH: REAR WIDTH: WHEELBASE: mm
 MOTOR: Reedy 17.5 SPUR GEAR: AE73 PINION GEAR: 34 BATTERY: Nano-tec Ultimate4.6
 SERVO: Savoxsc-1258tg WING: carisma FRONT TIRE INSERT: proline blue
 REAR TIRE INSERT: proline blue FRONT ANTI ROLL BAR: none mm REAR ANTI ROLL BAR: green mm

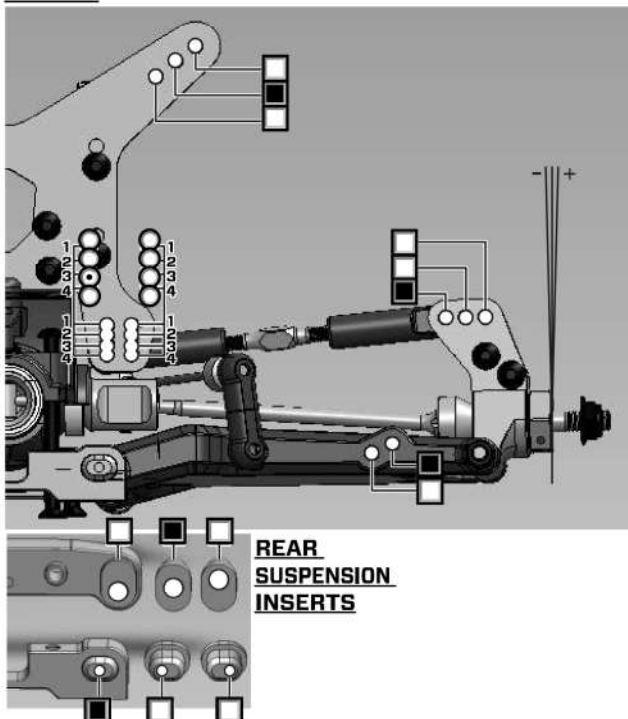
BEST LAP:


FRONT



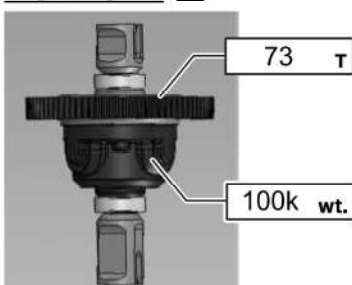
CAMBER L -1 R -1	FRONT TIRE proline prime m4 HARDNESS super soft	FRONT DIFF. 7000 wt. GEAR DIFF. <input checked="" type="checkbox"/>
TOE ANGLE .5	OIL SHOCK 10 mm	OIL 35ltr wt. LIMITERS 2 mm PISTON 1.5x2 YKO tapered SPRING Green
RIDE HEIGHT 21 mm		
STEERING BALL STUD (INNER) mm		

REAR

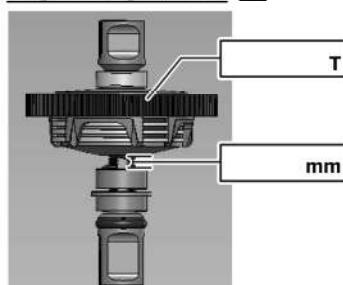


CAMBER L -1 R -1	REAR TIRE proline prime HARDNESS super soft	REAR DIFF. 3500 wt. GEAR DIFF. <input checked="" type="checkbox"/>
TOE ANGLE	OIL SHOCK 11 mm	OIL 30ltr wt. LIMITERS 4 mm PISTON 1.6x2 YKO tapered SPRING green
RIDE HEIGHT 21 mm		

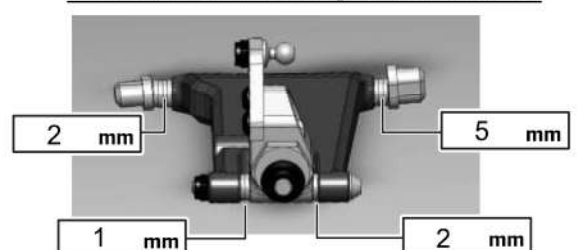
MID DIFF.



MID SLIPPER



REAR SUSPENSION SPACER



NOTES: T1 screws , AE b5 T1 turnbuckles , side guards removed, motor fan, 2x collars per shock to get ride height