

Name: Lee Martin

Date: 16.01.2010

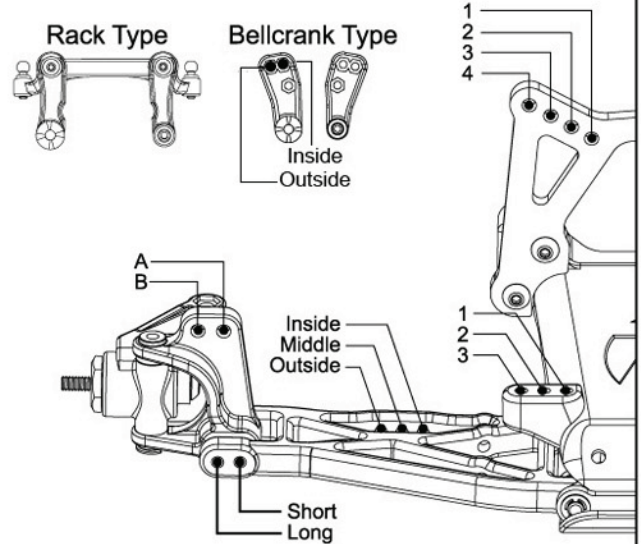
Track: Martime Raceway

Event: Petit RC

Track Conditions:  Indoor  Tight  Smooth  Hard Packed  Blue Groove  Wet  Low Bite  High Bite  
 Outdoor  Open  Rough  Loose/Loamy  Dry  Dusty  Med Bite  Other Carpet / Wood

### Front Suspension

Toe: 0°  
 Ride Height: 22mm  
 Camber: -1°  
 Caster: Std  
 Sway Bar: None  
 Oil: 35 wt  
 Piston: Tamiya Medium  
 Spring: Tamiya Yellow  
 Limiters: \_\_\_\_\_  
 Spindle Height: Lower  
 Axle Spacer: Std  
 Steering Type: Std  
 Bump Steer: 0  
 Camber Link: 2-B, 2 washers under link  
 Shock Location: 3 - Outside  
 VLA: Long  
 Front Wing: Yes

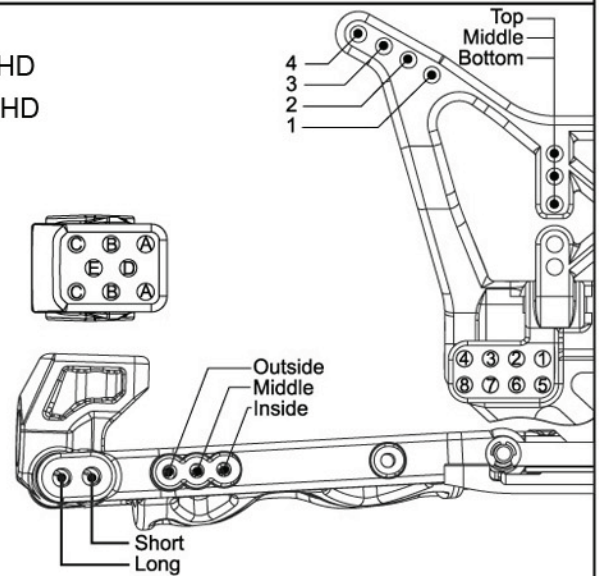


Notes: \_\_\_\_\_  
Rudebits Brass  
 \_\_\_\_\_  
 \_\_\_\_\_

### Rear Suspension

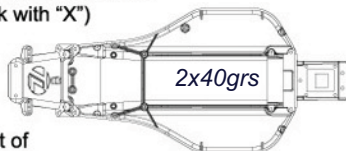
Toe: 3°  
 Pivot Support: \_\_\_\_\_  
 Ride Height: 21mm  
 Camber: -1°  
 Rear Hub Spacing: Short  
 Drive Shafts/Outdrives: Std  
 Sway Bar: None  
 Oil: 35 wt  
 Piston: Tamiya Medium  
 Spring: Tamiya Yellow  
 Limiters: \_\_\_\_\_  
 Camber Link: 2 - B  
 Shock Location: 2 - Middle  
 VLA: Long  
 Wing Position/Mount: High  
 Body & Wing Type: CR - JConcepts 7"  
 Battery Position: \_\_\_\_\_

LHD  
 RHD



Notes: \_\_\_\_\_  
 \_\_\_\_\_  
 \_\_\_\_\_

Weight Placement  
 (Mark with "X")



Weight of each piece \_\_\_\_\_ oz.

Tires: Type	Compound	Insert	Additive	Motor: <u>7.5T</u>
Front: <u>Shuey Pins</u>	<u>Yellow</u>	<u>KWF</u>	_____	Spur: <u>78</u>
Rear: <u>Shuey Pins</u>	<u>Yellow</u>	<u>KWF</u>	_____	Pinon: <u>24</u>
Notes: <u>Tamiya Shocks,</u>				ESC: <u>SP</u>
<u>Rudebits Brass - 20 grs on top of servo and each side of servo</u>				Reverse rotor <input type="checkbox"/>