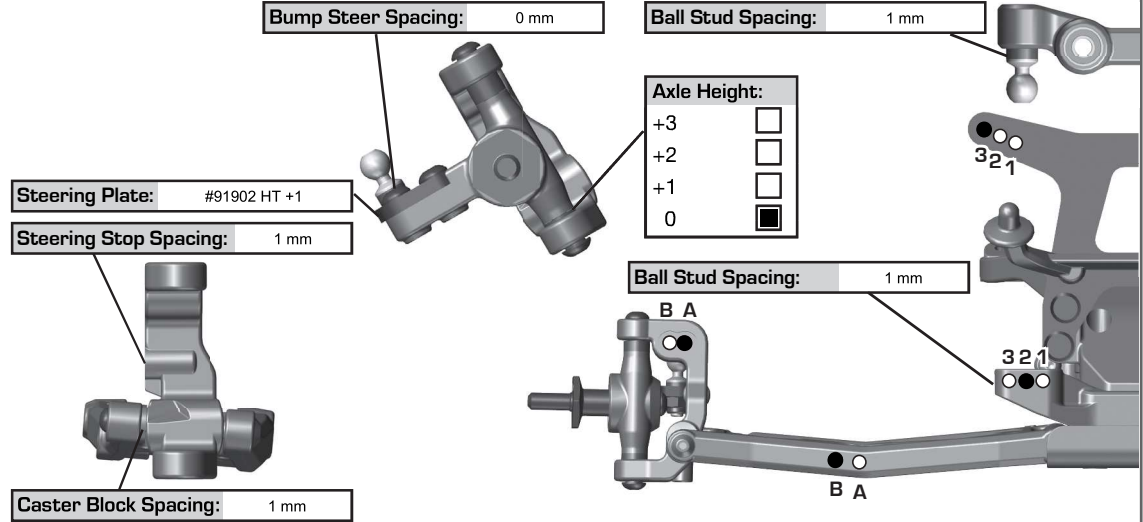


## Front Suspension:

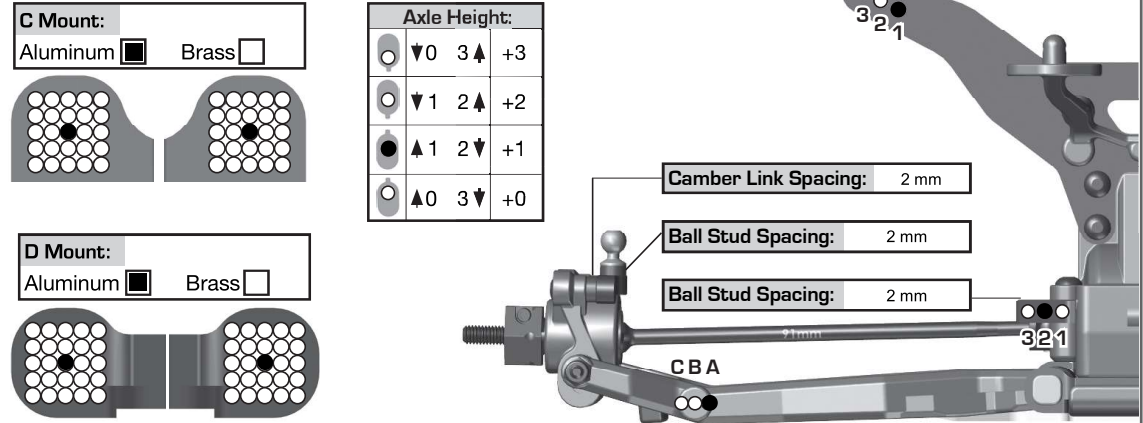
## Reset Forms

Ride Height:	22 mm (Body On)
Camber:	-1°
Toe:	0°
Anti-Roll Bar:	1.4 mm
Arm Type:	#71138 Gullwing, Standard
Tower Type:	#71136 Gullwing
Wheel Hex:	#71111 Front Axle, 8.5 mm
Steering Block:	4 mm
Caster Block Insert:	0°
Bulkhead Type:	#91658 FT Aluminum
Kick-Up Angle:	25°
Notes:	#91901 B6.4 -1mm Scrub Caster & Steering Block #91668 FT Aluminum Steering Bellcranks #1369 FT Clamping Servo Horn, 15.5 mm



## Rear Suspension:

Ride Height:	22 mm (Body On)
Camber:	-1°
Anti-Roll Bar:	N/A
Arm Type:	#71140 Gullwing, Standard
Tower Type:	#71137 T6.2 Standard
Arm Spacing:	Rear (2 mm In Front Of Arm)
Wheel Hex:	#71014 FT Clamping Wheel Hex, 8.5 mm
Shock Mounting Position:	Front of Arm <input checked="" type="checkbox"/> Rear of Arm <input type="checkbox"/>
Hub Spacing:	Fwd <input type="checkbox"/> Mid <input checked="" type="checkbox"/> Back <input type="checkbox"/>
Notes:	



## Electronics:

Radio:	Futaba 10TPX	Servo:	#27119 Reedy RT1705A
EPA: Throttle:	100 %	Brake:	90 %
ESC:	#27004 Reedy Blackbox 510R		
ESC Settings:	See Setup Sheet		
Motor:	Reedy M4 (#27447 M4 Rotor 12.5 x 7.25 mm)		
Wind:	#27444 6.5T	Timing:	20°
Pinion:	#1336 FT 18T	Spur:	#92296 81T Octalock
Battery:	#27382 Reedy Zapper SG5 6400 mAh 90C		
Battery Position:	5F		
Battery Weight:	None		

## Drivetrain:

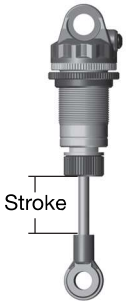
Transmission:	Laydown: <input checked="" type="checkbox"/>
Stand Up:	Layback: <input type="checkbox"/>
Differential:	Ball Diff: <input checked="" type="checkbox"/>
Height:	+3 Gear Diff: <input type="checkbox"/>
Gear Diff Mass:	
Notes:	#6576 FT Precision Ground Diff Drive Rings

## Slipper Clutch:

Type:	#91803 & 91804 Slipper Hubs
# of Pads:	2 x #92286 FT Octalock LCF
Setting:	Front Tires Just Pull Off The Ground

## Shocks:

	Front	Rear
Piston:	#91933 2 x 1.7	#91934 2 x 1.8
Fluid:	#5429 FT 35 wt	#5422 FT 30 wt
Spring:	#91638 12mm Blue	#71164 13mm White
Limiters:	Int: 0 Ext: 0	Int: 0 Ext: 0
Stroke:	29.0 mm	34.5 mm
Eyelet Length:	+2	+2
Cup Offset:	5 mm	5 mm
Notes:	#91925 & #71159 13mm FT Fox Shock Bodies #91620 & 91624 FT Chrome Shock Shafts	



## Track Info:

Size:	Small <input type="checkbox"/> Medium <input type="checkbox"/> Large <input checked="" type="checkbox"/> Extra Large <input type="checkbox"/>
Surface:	Dirt <input type="checkbox"/> Carpet <input checked="" type="checkbox"/> Astroturf <input type="checkbox"/> Multi Surface <input type="checkbox"/>
Traction:	Low <input type="checkbox"/> Medium <input type="checkbox"/> High <input type="checkbox"/> Very High <input checked="" type="checkbox"/>
Moisture:	Dry <input type="checkbox"/> Damp <input checked="" type="checkbox"/> Wet <input type="checkbox"/>
Condition:	Indoor <input type="checkbox"/> Outdoor <input checked="" type="checkbox"/> Dusty <input type="checkbox"/> Hard Packed <input checked="" type="checkbox"/> Bumpy <input type="checkbox"/> Grooved <input type="checkbox"/> Smooth <input checked="" type="checkbox"/> Loamy <input type="checkbox"/>
Temperature:	Ambient: 65°F Track: 65°F
Notes:	
Vehicle Comments:	#71142 Side Rails, Standard

## Tires:

Front Tires:	JConcepts Smoothies LP
Front Compound:	Silver
Front Insert:	JConcepts Closed Cell
Rear Tires:	JConcepts Smoothies LP
Rear Compound:	Silver
Rear Insert:	JConcepts Closed Cell
Wheel (F/R):	JConcepts Mono
Notes:	

## Body, Weight:

Body:	#71126 T6.2 Kit
Spoiler:	#71126 T6.2 Kit
Servo Weights:	N/A
Electronic Weights:	#91754 FT Carbon Fiber
Total Vehicle Weight:	N/A
Notes:	