

Front Suspension:

Reset Forms

Ride Height:	26 mm
Camber:	-1
Toe:	0
Arm Type:	#71103 Flat, Standard
Tower Type:	#71115 Flat
Caster Block Insert:	5°
Steering Block:	4
Bulkhead Type:	#91656 Plastic
Kick-Up Angle:	25°
Wheel Hex:	#71111 8.5mm Steel
Notes:	#1366 FT Aluminum Servo Horn, 25T #91667 Plastic Steering Rack #91668 Aluminum Steering Bellcranks

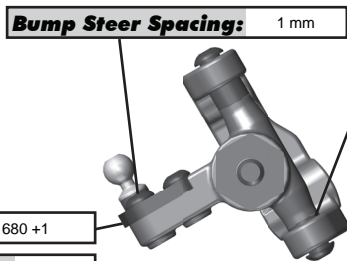
Anti Roll Bar:

White (1.2mm)

Gray (1.3mm)

Blue (1.4mm)

Other: _____



Axle Height:

+3

+2

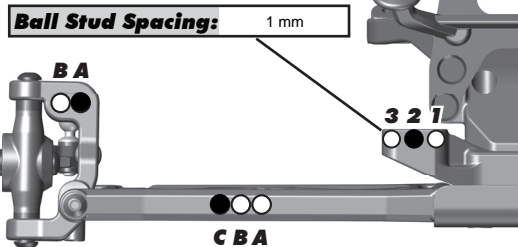
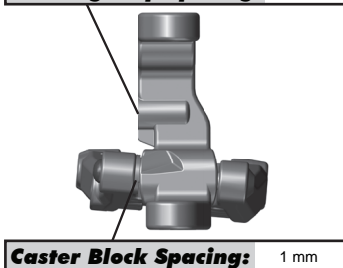
+1

0

Ball Stud Spacing: 1 mm

Steering Plate: #91680 +1

Steering Stop Spacing: 0 mm



Rear Suspension:

Ride Height:	25 mm
Camber:	-1
Arm Type:	#71105 Standard
Tower Type:	#71116 Standard
Wheel Hex:	#91610 FT 7.0 mm
Hub Spacing:	Forward <input type="checkbox"/> Middle <input checked="" type="checkbox"/> Back <input type="checkbox"/>
Shock Mounting Position:	Front of Arm <input checked="" type="checkbox"/> Rear of Arm <input type="checkbox"/>
Notes:	

Anti Roll Bar:

White (1.1mm)

Gray (1.2mm)

Blue (1.3mm)

Other: _____

Rear Hub Link Setting:

Plastic Hub Aluminum Hub Ball Stud Spacing: 3 mm

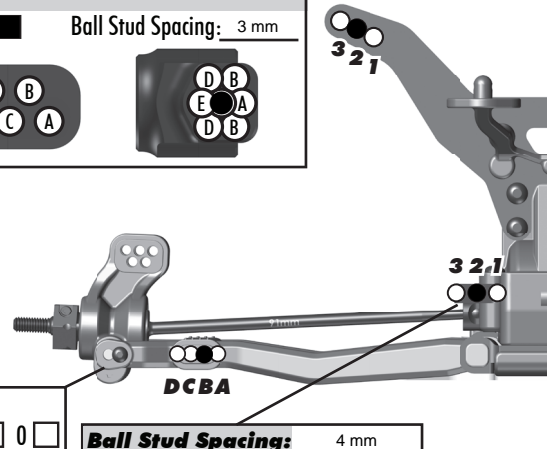
Up Down

C Mount Inserts: 1° 0.5°

Aluminum Brass

D Mount Inserts: 1° 0.5°

Aluminum Brass



Electronics:

Radio:	Sanwa M12S	Servo:	#27101 Reedy RT1508
EPA: Throttle:	100 %	Brake:	95 %
ESC:	#27004 Reedy Blackbox 510R		
ESC Settings:	See Dustin Evans 2wd Setup		
Motor:	#262 Reedy M3		
Wind:	6.5	Timing:	14°
Pinion:	18	Spur:	81
Battery:	#27323 Reedy Zappers SG 5800 mAh 80C		
Battery Position:	3F		

Drivetrains:

Transmission: Laydown:

3 Gear: Layback:

4 Gear: Stand Up:

Differential: Ball Diff:

Height: 2 Gear Diff:

Notes: #6584 Ceramic Diff Balls

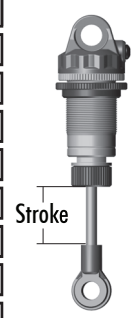
Slipper Clutch:

Type: #91807 Team Associated HTC

of Pads: 3 x #91197 LCF

Shocks:

	Front	Rear
Piston:	1 x 1.6 + 1 x 1.7 Flat Machined	2 x 1.7 Flat Machined
Fluid:	35 wt	27.5 wt
Spring:	#91636 White	#91639 Green
Limiters:	2	1
Stroke:	28 mm	35 mm
Eyelet Length:	Long	Long
Cup Offset:	5 mm	5 mm
Notes:	#91494 Machined Shock Spacers	



Track Info:

Size: Small Medium Large Extra Large

Surface: Dirt Carpet Astroturf Multi Surface

Traction: Low Medium High Very High

Moisture: Dry Damp Wet

Condition: Indoor Outdoor Dusty Hard Packed

Bumpy Grooved Smooth Loamy

Temperature: Ambient: 60F Track: 60F

Notes:

Tires:

Front Tires: Proline Electron

Front Compound: MC

Front Insert: Proline Closed Cell

Rear Tires: Proline Positron

Rear Compound: MC

Rear Insert: Proline Closed Cell

Wheel (F/R): #7852 Team Associated

Notes:

Body, Wing, Weight:

Body: Team Associated Kit

Team Associated Kit Spoiler

Servo Weights:

None Aluminum Steel Other

Electronic Weights: #91754 FT Graphite ESC Tray

None Aluminum Steel Other

Total Vehicle Weight:

Vehicle Comments:

Notes: #91577 & #91579 Fox Shock Bodies; #91620 & 91624 Chrome Shock Shafts; #91744 FT Brass Under Battery Weight (43g)