

Front Suspension:

Reset Forms

Ride Height:	27 mm (Body On)
Camber:	-1°
Toe:	0° (Tierod Gap = 41.7 mm)
Arm Type:	#71103 Flat, Standard
Tower Type:	#71115 Flat
Caster Block Insert:	0°
Steering Block:	4
Bulkhead Type:	#91656 Plastic
Kick-Up Angle:	25°
Wheel Hex:	#71111 8.5 mm Kit
Notes:	#1370 FT Aluminum Clamping Servo Horn, 25T #91667 Plastic Steering Rack #91668 FT Aluminum Steering Bellcranks

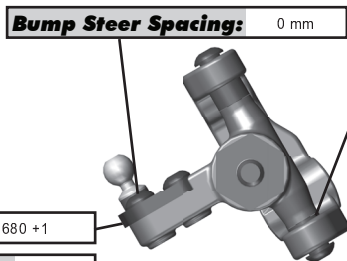
Anti Roll Bar:

White (1.2mm)

Gray (1.3mm)

Blue (1.4mm)

Other:



Axle Height:

+3

+2

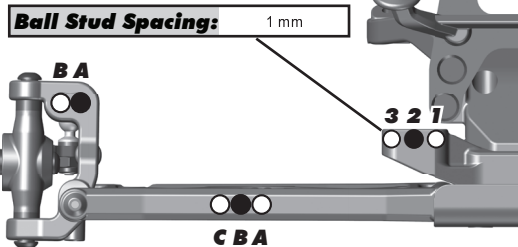
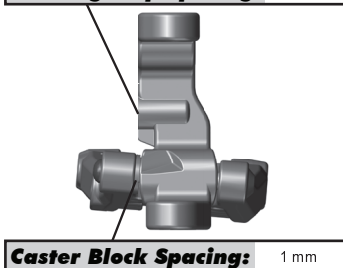
+1

0

Ball Stud Spacing: 1 mm

Steering Plate: #91680 +1

Steering Stop Spacing: 0



Rear Suspension:

Ride Height:	27 mm (Body On)
Camber:	-1°
Arm Type:	#71105 Standard
Tower Type:	#71116 Standard (Double Tower)
Wheel Hex:	#91610 7.0 mm
Hub Spacing:	Forward <input type="checkbox"/> Middle <input checked="" type="checkbox"/> Back <input type="checkbox"/>
Shock Mounting Position:	Front of Arm <input type="checkbox"/> Rear of Arm <input checked="" type="checkbox"/>
Notes:	#71105 Rear Arm, Standard

Anti Roll Bar:

White (1.1mm)

Gray (1.2mm)

Blue (1.3mm)

Other:

Rear Hub Link Setting:

Plastic Hub Aluminum Hub Ball Stud Spacing: 3 mm

Up Down

C Mount Inserts: 1° 0.5°

Aluminum Brass

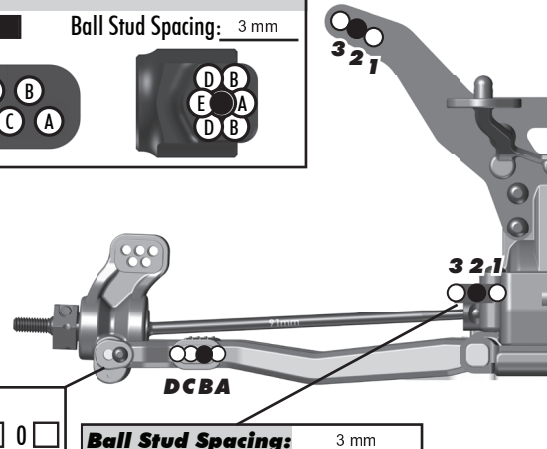
D Mount Inserts: 1° 0.5°

Aluminum Brass

Hub Insert:

+3 +2 +1 0

Ball Stud Spacing: 3 mm



Electronics:

Radio:	Sanwa M12S	Servo:	#27109 Reedy RT1408
EPA: Throttle:	100 %	Brake:	92 %
ESC:	#27004 Reedy Blackbox 510R		
ESC Settings:	See Setup Sheet		
Motor:	#27403 Reedy S-Plus (#27414 Reedy Rotor, Standard)		
Wind:	13.5T	Timing:	40°
Pinion:	#1339 FT 21T	Spur:	81T
Battery:	#27336 Reedy Zapper SG2 5800 mAh 80C 7.6v		
Battery Position:	4F		

Drivetrains:

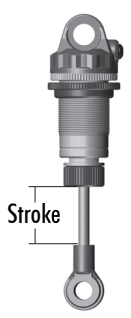
Transmission:	Laydown: <input type="checkbox"/>
3 Gear: <input checked="" type="checkbox"/>	Layback: <input checked="" type="checkbox"/>
4 Gear: <input type="checkbox"/>	Stand Up: <input type="checkbox"/>
Differential:	Ball Diff: <input type="checkbox"/>
Height: 2	Gear Diff: <input checked="" type="checkbox"/>
Notes:	15k - 2 Gear

Slipper Clutches:

Type:	Team Associated Kit
# of Pads:	2 x #91197 FT LCF Slipper Pads

Shocks:

	Front	Rear
Piston:	#91626 2 x 1.6 Flat Machined	#91627 2 x 1.7 Flat Machined
Fluid:	#5433 FT 37.5 wt	#5422 FT 30 wt
Spring:	#91637 Truck Gray	#91640 Truck White
Limiters:	0 Internal / 0 External	0 Internal / 0 External
Stroke:	29.0 mm	36.0 mm
Eyelet Length:	Short	Long
Cup Offset:	9 mm	5 mm
Notes:	#91494 FT Machined Shock Spacers V2, #91493 FT X-Rings	



Track Info:

Size:	Small <input type="checkbox"/> Medium <input type="checkbox"/> Large <input checked="" type="checkbox"/> Extra Large <input type="checkbox"/>		
Surface:	Dirt <input checked="" type="checkbox"/> Carpet <input type="checkbox"/> Astroturf <input type="checkbox"/> Multi Surface <input type="checkbox"/>		
Traction:	Low <input type="checkbox"/> Medium <input type="checkbox"/> High <input checked="" type="checkbox"/> Very High <input type="checkbox"/>		
Moisture:	Dry <input checked="" type="checkbox"/> Damp <input type="checkbox"/> Wet <input type="checkbox"/>		
Condition:	Indoor <input checked="" type="checkbox"/> Outdoor <input type="checkbox"/> Dusty <input type="checkbox"/> Hard Packed <input checked="" type="checkbox"/> Bumpy <input type="checkbox"/> Grooved <input type="checkbox"/> Smooth <input checked="" type="checkbox"/> Loamy <input type="checkbox"/>		
Temperature: Ambient:	60F	Track:	60F
Notes:			

Tires:

Front Tires:	Pro-Line Electron
Front Compound:	MC
Front Insert:	Pro-Line Closed Cell
Rear Tires:	Pro-Line Positron
Rear Compound:	MC
Rear Insert:	Pro-Line Closed Cell
Wheel (F/R):	#7852 Team Associated 12mm Hex
Notes:	

Body, Wing, Weight:

Body:	#71126 Team Associated Kit
Servo Weights:	None <input checked="" type="checkbox"/> Aluminum <input type="checkbox"/> Steel <input type="checkbox"/> Other <input type="checkbox"/>
Electronic Weights:	#91754 FT Graphite
None:	Aluminum <input type="checkbox"/> Steel <input type="checkbox"/> Other <input checked="" type="checkbox"/>
Total Vehicle Weight:	1880g

Vehicle Comments:

Notes: #71101 Side Rails, Standard; #91620 & #91624 FT Chrome Shock Shafts; #91577 & #91579 Fox Shock Bodies; #91793 FT Differential Height Inserts; #71132 FT Chassis Protector;