

Front Suspensions:

Camber: -1

Total Toe: +1/2

Ride Height: 29 mm

Arm Type: Hard #71009

Tower Type: Hard #71005

Caster Block Insert: 5

Kick-Up Angle: #91367 Aluminum 25°

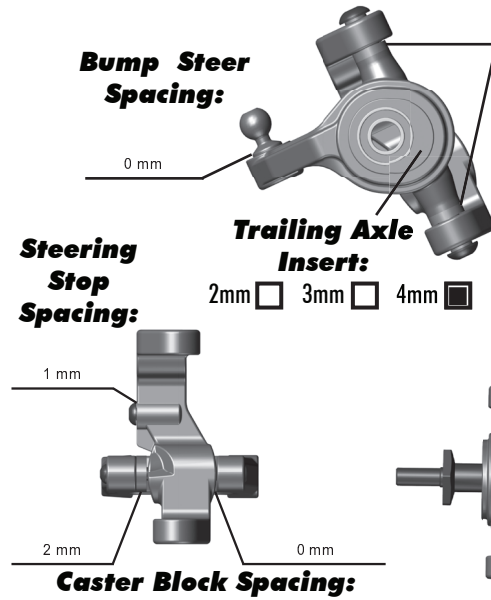
Wheel Hex: #71012 Kit Steel

Notes: Top Plate, Standard #91362

Chassis Plate, Standard #91512

Caster Blocks, Standard #91400

Steering Blocks, Standard #91404

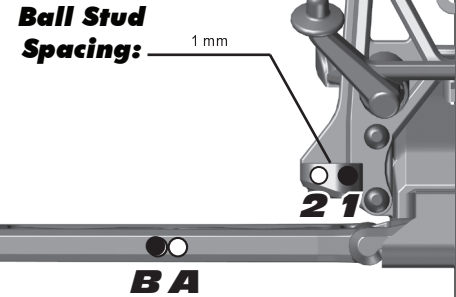


Axle Height:

Up

Middle

Down



Rear Suspension:

Camber: -1

Ride Height: 27 mm

Wheel Hex: Clamping 8.5mm #71014

Hub Spacing:

Forward Middle Back

Notes: Rear Arms, Hard #71011 (Spaced Back)

Factory Team Aluminum Hubs #91549 (Front Row Outside +3mm)

Aluminum "C" #91522 & "D" #91524 Arm Mounts

Rear Tower, Hard #71007

Anti Roll Bar:

None

Black (1.2mm)

Silver (1.3mm)

Gold (1.4mm)

Rear Hub Link Setting:

A C B A

Up

Down

B B A

Up

Down

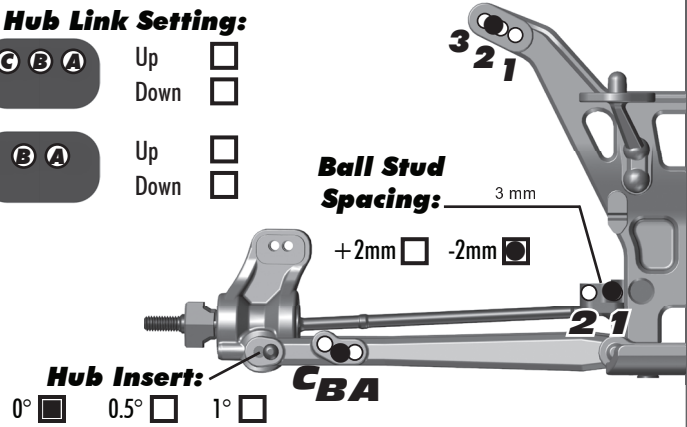
Arm Mount:

2.5+2

Inboard Toe: 3

Anti-Squat: 2

Insert (D): Arrows In



Electronics:

Radio: Sanwa M12s **Servo:** Savox SC-1258TG

EPA: Throttle: 100 % **Brake:** 94 %

ESC: Team Orion

ESC Settings: N/A

Motor: Team Orion VST2 Lightweight

Wind: 6.5 **Timing:** 0°

Pinion: #1337 FT 19 **Spur:** 84

Battery: Team Orion 4500 Shorty (50g under battery)

Battery Position: 6 mm From Rear (Battery Taped In)

Drivetrain:

Differential:

3 Gear: **4 Gear:**

Ball Diff: **Gear Diff:**

Notes: Tight

Slipper Clutch:

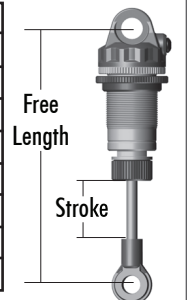
Type: #91175 Associated VTS

of Pads: 3

Notes: #9739 Slipper Spring

Shocks:

	Front	Rear
Piston:	2 x 1.6 Flat V2	2 x 1.7 Flat V2
Oil:	35 wt	30wt
Spring:	AE White	X-Gear Gold
Limiters:	3	1
Cup Offset:	5 mm	5 mm
Stroke:	26.75 mm	35.65 mm
Free Length:	N/A	N/A
Notes:	Kashima Shock Bodies, Chrome V2 Shafts, X-Rings	



Track Info:

Size: Small Medium Large Extra Large

Surfaces: Dirt Carpet Astroturf Multi Surface

Traction: Low Medium High Very High

Moisture: Dry Damp Wet

Condition: Indoor Outdoor Dusty Hard Packed

Bumpy Grooved Smooth Loamy

Temperature: Ambient: 75F **Track:** 75F

Notes: Wisconsin Black Dirt

Tires:

Tires (F/R): AKA X-Link / AKA X-Link

Compound (F/R): Clay / Clay

Insert (F/R): AKA Red / AKA Red

Wheel (F/R): Team Associated Hex #9853 / Team Associated Hex #9853

Notes: Liquid Wrench Lubricating Oil 20 min before run

Body & Wing:

Body: JConcepts Finnisher

Wing: JConcepts Finnisher (1/4" Lip)

Notes:

Race Results:

Qualify: 1 **Main:** 1

Finish: 1 **TQ:**

Best Lap Time:

Vehicle Comments:

Factory Team Bearing Set #91553; Plastic Shock Caps #91449; Shock Bushings, Aluminum #91446; #1366 FT Aluminum Horn; Chassis plate; rib removed behind servo; 0.030 rear up travel limiter;

Total Vehicle Weight: 1898g