

Front Suspensions:

Camber: -1

Total Toe: 0

Ride Height: 27mm

Arm Type: hard

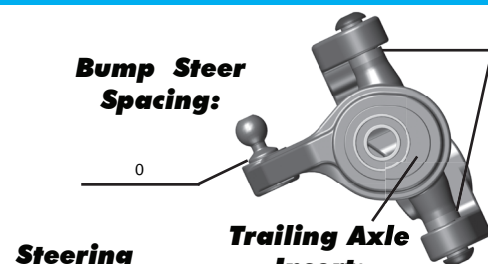
Tower Type: std

Caster Block Insert: 5

Kick-Up Angle: 25

Wheel Hex: std

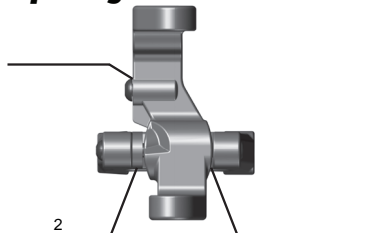
Notes: Hard Caster Block set



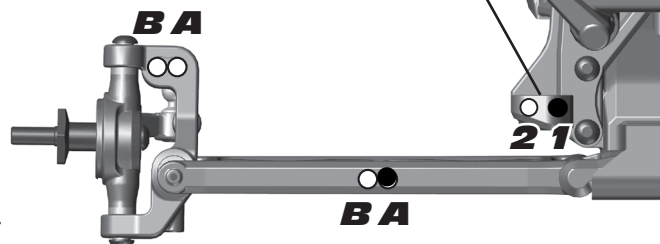
Axle Height:
Up
Middle
Down

Ball Stud Spacing:
2

Steering Stop Spacing:
2mm 3mm 4mm



Caster Block Spacing:



Rear Suspension:

Camber: -1

Ride Height: 27mm

Wheel Hex: 8.5

Hub Spacing:
Forward Middle Back

Notes:

Anti Roll Bar:
None
Green (1.2mm)
White (1.3mm)
Blue (1.4mm)

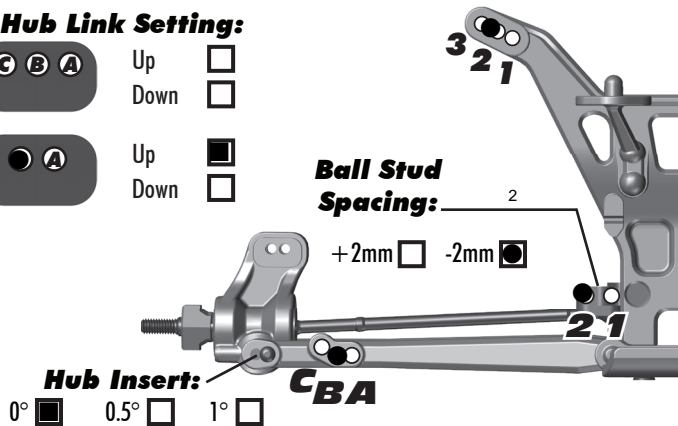
Rear Hub Link Setting:
A C B A Up
Down
B A Up
Down



Inboard Toe: 3

Anti-Squat: 1

Insert (D): Arrows in



Electronics:

Radio: KO Ex-1 **Servo:** RSX2 Response

EPA: Throttle: 100 % **Brake:** 80 %

ESC: Tekin RSX

ESC Settings: Dual Mode (30 Timing Advance)

Motor: Tekin Gen3

Wind: 7.5T **Timing:** 20

Pinion: 19 **Spur:** 84

Battery: Protek 2s 4250mah 100c

Battery Position: forward 8mm(Factory RC Brace)

Drivetrain:

Differential:
3 Gear: **4 Gear:**
Ball Diff: **Gear Diff:**
Notes:

Slipper Clutch:

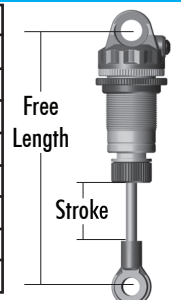
Type: Avid

of Pads: 2 Red, 1 White

Notes:

Shocks:

	Front	Rear
Piston:	1.6x2	1.7x2
Oil:	35	30
Spring:	White 54mm	White 72mm
Limiters:	2	2
Cup Offset:	3mm	7mm
Stroke:	27mm	35mm
Free Length:	n/a	n/a
Notes:	X-Orings, Plastic Caps	



Track Info:

Size: Small Medium Large Extra Large

Surfaces: Dirt Carpet Astroturf Multi Surface

Traction: Low Medium High Very High

Moisture: Dry Damp Wet

Condition: Indoor Outdoor Dusty Hard Packed
Bumpy Grooved Smooth Loamy

Temperature: Ambient: 65 **Track:** 60

Notes: High Bite Clay,

Tires:

Tires (F/R): JConcepts Smoothies / JConcepts Smoothies

Compound (F/R): Gold / Gold

Insert (F/R): Dirt Tech / Dirt Tech

Wheel (F/R): JC Mono / JC Mono

Notes:

Body & Wing:

Body: JConcepts Finisher

Wing: Stock

Notes:

Race Results:

Qualify: 1st **Main:** 1st

Finish: 1st **TQ:**

Best Lap Time:

Vehicle Comments:

MIP Transmission, Avid Bearings, Factory RC Shorty Brace, JC Finned turnbuckles.

Total Vehicle Weight: 1942