

Front Suspension

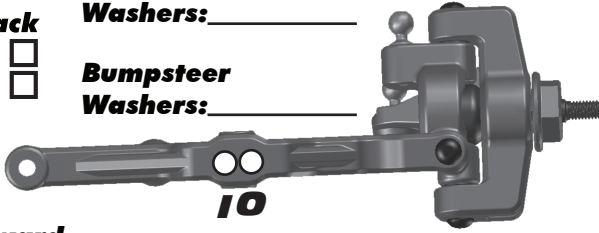
Steering Rack
Standard
Option

Washers: _____

Bumpsteer

Washers: _____

Option Rack



Forward Back

Anti Roll Bar:

1.5mm
1.8mm
2.0mm
2.2mm
None

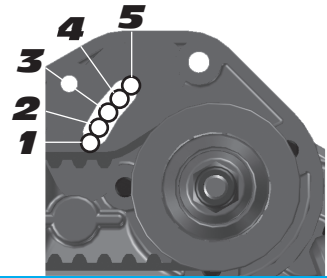


Steering Stop Gap: _____

Camber: _____

Toe: _____

Ride Height: _____



Washers: _____

Front Pulley:
20T (standard)
19T (overdrive)

Clicker:
Full Time 4X4:

Front Shocks

Spring: _____ Piston: _____
Shock Fluid: _____ Limiter: _____
Rebound: _____ Bladder Emulsion

Electronics

Motor & Wind: _____
Pinion: _____ Spur Gear: _____
Battery Type: Stick Saddle
Battery Placement: Front Middle Back
Other

Slipper / Differentials

Standard Slipper VTS Slipper
Front Diff Fluid: _____
Rear Diff Fluid: _____

Front Tires

Tire: _____ Compound: _____
Insert: _____ Wheel: _____
Notes: _____

Body

Body Type: _____ Notes: _____

Race and Vehicle Comments

Qualify: _____ Main: _____ Finish: _____ TQ: _____
Comments: _____

Rear Suspension

Wheelbase:
Long
Medium
Short



Anti Roll Bar:

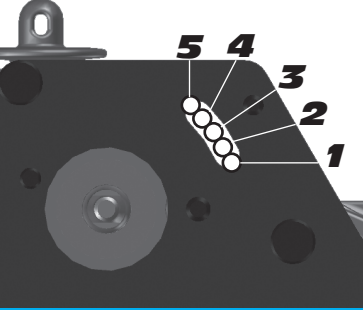
1.5mm
1.8mm
2.0mm
2.2mm
None



Camber: _____

Ride Height: _____

Toe Block: 3-2
3-3



Washers: _____

Rear Pulley:
20T (standard)
19T (underdrive)

Slipper Coupled
Slipper De-Coupled

Rear Shocks

Spring: _____ Piston: _____
Shock Fluid: _____ Limiter: _____
Rebound: _____ Bladder Emulsion

Radio: _____
Throttle / Brake e.p.a: _____
Throttle / Brake expo: _____
Servo: _____ Steering Expo: _____
ESC: _____ ESC Software: _____
ESC Profile: _____

Chassis

Chassis Brace: Yes No
Chassis Weight: _____

Rear Tires

Tire: _____ Compound: _____
Insert: _____ Wheel: _____
Notes: _____

Track Info

Smooth: Bumpy: Blue Groove:
Traction: High: Medium: Low:
Soft Dirt: Grass: Clay: Wet:
Dusty: Other: _____