

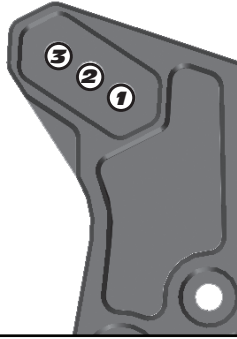
Front Suspension

Anti Roll Bar:

- 2.2mm Green
- 2.3mm White
- 2.4mm Blue
- 2.5mm Yellow

Steering System:

- Swing Rack
- Bellcrank Rack



Upper Hinge Pin Bushing

Front # _____
Up Down

Rear # _____
Up Down

B-Plate Type

Low Original

Kickup Bushing A-Plate

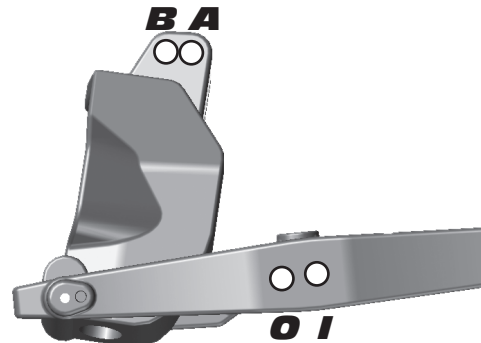
Up Down

Bumpsteer Washers: _____

Camber: _____

Caster: _____

Toe: _____

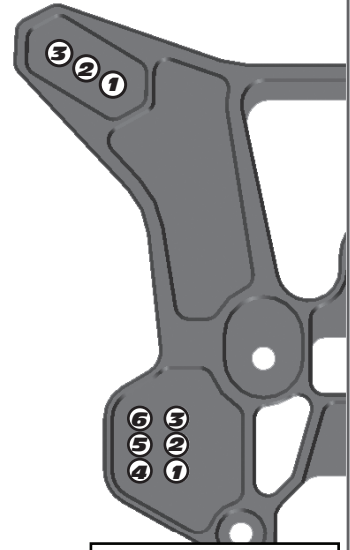


Ride Height: _____

Rear Suspension

Anti Roll Bar:

- 2.5mm Green
- 2.6mm White
- 2.7mm Blue
- 2.8mm Yellow



Wheelbase:

- Long
- Medium
- Short

Camber: _____

B A C

Hub:
Upper
Lower

Ride Height: _____

Toe Bushing D-Plate

In Out

Squat Bushing C-Plate

Up Down

Front Shocks

Spring: _____ Shock Cap: _____
Shock Fluid: _____ Length: _____
Piston: _____ Rebound: _____

Rear Shocks

Spring: _____ Shock Cap: _____
Shock Fluid: _____ Length: _____
Piston: _____ Rebound: _____

Chassis Braces

Chassis Braces:
Pivot
Molded
Aluminum

Wheel Hex

Wheel Hex:
Narrow
Wide

Caster Blocks

Caster Blocks:
Vertical
Inclined

Chassis Weight

Weight: _____

Rear Hubs

Rear Hubs:
Standard
CNC FT Alum.

Differentials

Front Diff: _____
Center Diff: _____
Rear Diff: _____
Notes: _____

Body / Wing

Body Type: _____
Wing Type: _____
Gap to Tower (MM): _____

Gearing

Spur Gear: _____
Pinion: _____

Motor / ESC / Batteries

Motor & Wind: _____
ESC: _____
ESC Setting: _____
Batteries: _____

Tires

Tire (F/R): _____ / _____
Compound (F/R): _____ / _____
Inserts (F/R): _____ / _____
Wheel (F/R): _____ / _____
Notes: _____

Radio / Servos

Radio: _____
Steering Servo: _____ Steering Expo: _____
Brake Expo: _____ Brake EPA: _____
Dual Rate: _____
Notes: _____

Race and Vehicle Comments

Qualify: _____ Main: _____ Finish: _____ TQ: _____
Comments: _____

Track Info

Traction: High Medium Low
Surface: Smooth Bumpy Blue Groove
Soft Dirt Grass Clay Wet
Astroturf Dusty Other: _____