

Front Suspension

Anti Roll Bar:

- 2.2mm Green
- 2.3mm White
- 2.4mm Blue
- 2.5mm Yellow

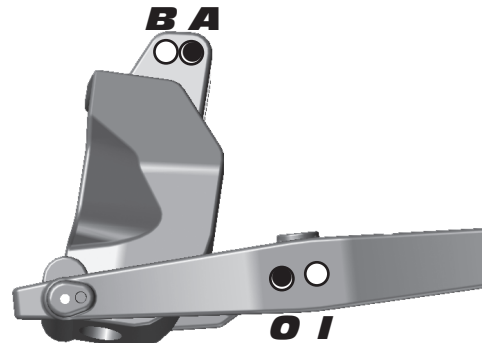
Steering System:

- Swing Rack
- Bellcrank Rack

Bumpsteer
Washers: Kid Tall Stud

Camber: -1

Caster: 16

Toe: 1 out


Upper Hinge Pin Bushing

Front # 1
Up Down

Rear # 2
Up Down

B-Plate Type

Low Original

Kickup Bushing A-Plate

2
Up Down

Ride Height: 28mm

Rear Suspension

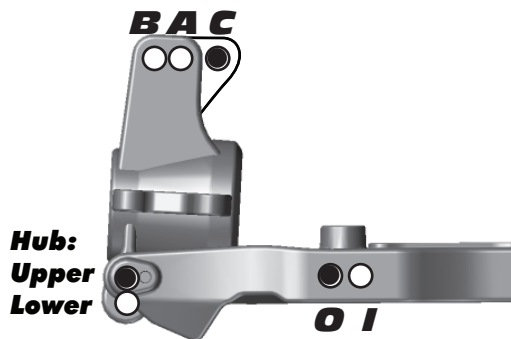
RESET

Anti Roll Bar:

- 2.5mm Green
- 2.6mm White
- 2.7mm Blue
- 2.8mm Yellow

Wheelbase:

- Long
- Medium
- Short

Camber: -1


Toe Bushing D-Plate

2
In Out

Squat Bushing C-Plate

2
Up Down

Hub: Upper Lower
Ride Height: 29mm

Front Shocks

Spring: K Blue
Shock Fluid: 27.5
Piston: 10x1.1 AE 89456
Shock Cap: Bladder
Length: 102
Rebound: 0

Rear Shocks

Spring: K Blue
Shock Fluid: 25
Piston: 10x1.1 AE 89456
Shock Cap: Bladder
Length: 118
Rebound: 0

Chassis Braces / Wheel Hex

Chassis Braces: Wheel Hex:
 Pivot Standard
 Molded Narrow
 Aluminum

Chassis Weight

Weight: _____

Rear Hubs

Rear Hubs:
 Standard
 CNC FT Alum.

Differentials

Front Diff Fluid: 5
Center Diff Fluid: 7
Rear Diff Fluid: 5
Notes: _____

Body / Wing

Body Type: Punisher
Wing Type: Punisher New
 Same as original JC side pods
Gap to Tower (MM): 19.5mm

Gearing

Spur Gear: 18
Pinion: 44

Motor / ESC / Batteries

Motor & Wind: _____
ESC: _____
ESC Setting: _____
Batteries: Reedy 4s

Tires

Tire (F/R): Hybrid / Hybrid
Compound (F/R): Green / Green
Inserts (F/R): Stock / Stock
Wheel (F/R): Inverse / Inverse
Notes: 4 screws in wheel

Radio / Servos

Radio: _____
Steering Servo: _____ **Steering Expo:** _____
Brake Expo: _____
Initial Brake: _____ **Drag Brake:** _____
Dual Rate: 100%

Race and Vehicle Comments

Qualify: 2 **Main:** A **Finish:** 1 **TQ:** _____
Comments: Won Both A1 and A2 for the overall.
 Same setup used for outdoor clay. Works well indoor and outdoor.

Track Info

Traction: High Medium Low
Surface: Smooth Bumpy Blue Groove
 Soft Dirt Grass Clay Wet
 Astroturf Dusty Other: _____
 Small areas of choppy, overall smooth, southern red clay indoor.