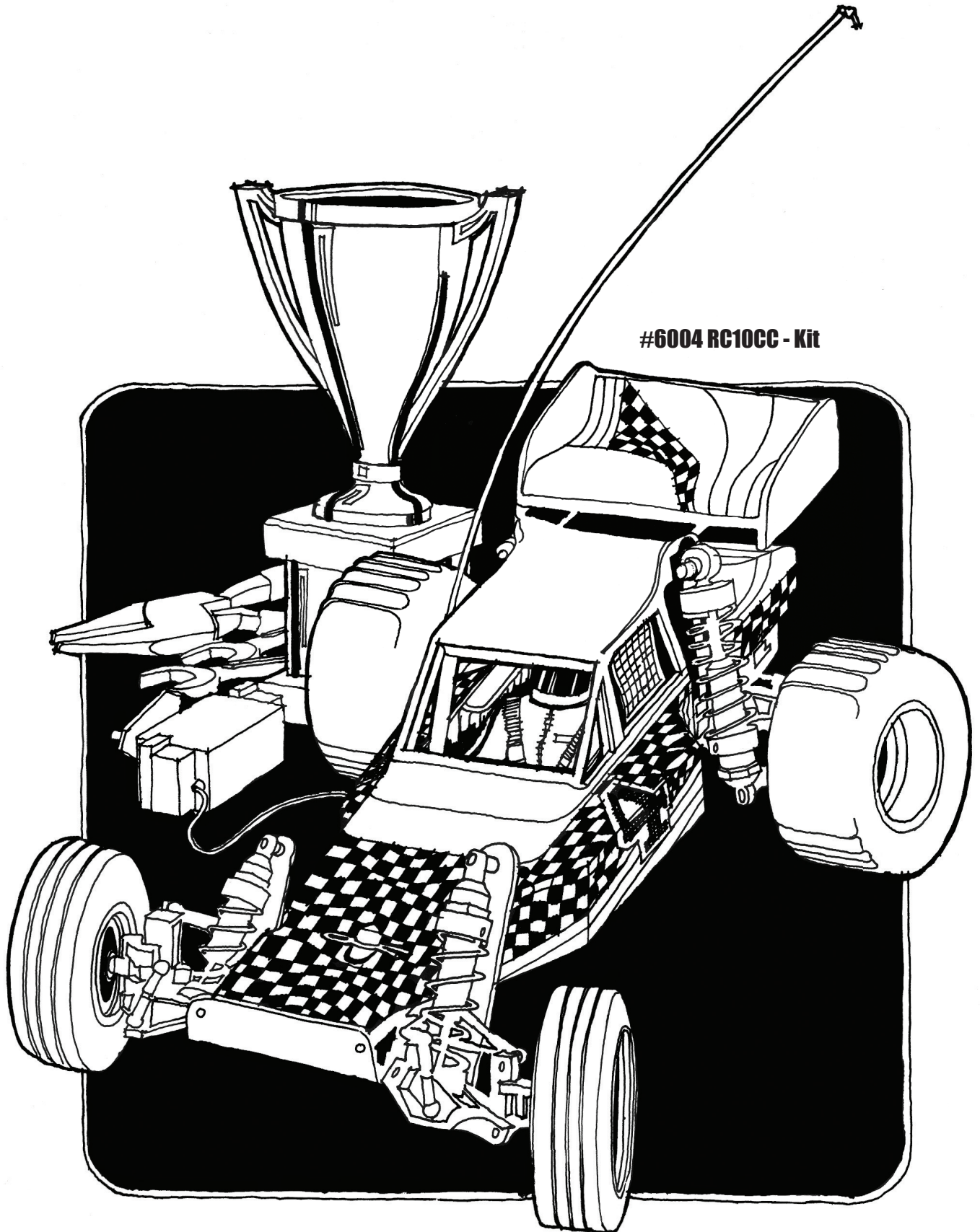


ASSOCIATED RC10

ASSEMBLY AND OPERATING INSTRUCTIONS



:: Introduction

Thank you for purchasing this Team Associated product. This assembly manual contains instructions and tips for building and maintaining your new RC10CC Kit. Please take a moment to read through this manual to help familiarize yourself with these steps.

We are continually changing and improving our designs; therefore, actual parts may appear slightly different than in the illustrations. New parts will be noted on supplementary sheets located in the appropriate parts bags.

Check each bag for these sheets before you start to build.

:: KIT Features

Features in the RC10CC - Kit:

- Authentic replica of the RC10 Buggy Kit originally released in 1984
- Silver anodized 6061-T6 aluminum monocoque tub chassis
- Fully adjustable four wheel independent suspension
- Long travel, fluid filled Silver aluminum coil over shocks
- Low profile sealed six-gear transmission
- VariLok adjustable ball differential
- Exceptional ground clearance with low center of gravity
- Classic AE front and rear tires with modular racing wheels
- Clear ProTech body with driver figure and wing
- Fiberglass shock towers
- Oilite bushings throughout
- Fits 6-cell NiMh and 2S LiPo battery packs

:: Additional

Your new RC10CC Kit comes as a kit. There are some items you will need to complete your kit (refer to website for suggestions):

- R/C two channel surface frequency radio system
- Electronic Speed Control (ESC)
- Steering Servo
- 2S, 7.4V Lipo stick battery or 7.2V NiMH battery
- Peak detection battery charger
- Retaining Ring Pliers
- Polycarbonate specific paint
- Pinion gear, size to be determined by type and wind of motor you use
- R/C Electric Motor
- Servo Horn (AE #89007)

Tools included:

- Allen wrenches (.035", .050", 1/16", 3/32")
- Shock building tool

:: Other Helpful Items

- Silicone Shock Fluid (Refer to website for complete listings)
- Tire Adhesive (AE #1597)
- Shock Pliers (AE #1681)
- Wire Cutters / Hobby Knife
- Body Scissors (AE #1737)
- Green Slime shock lube (AE #1105)
- Needle Nose Pliers
- Reamer / Hole Punch (AE #1499)
- Calipers or a Precision Ruler
- Soldering Iron

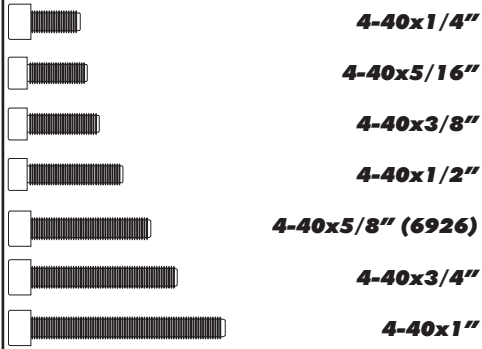
Associated Electrics, Inc.
21062 Bake Parkway
Lake Forest, CA 92630



Customer Service
Tel: 949.544.7500
Fax: 949.544.7501

:: Hardware - 1:1 Scale View

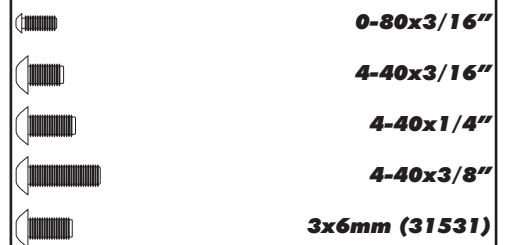
Cap Head (shcs)



Flat Head (fhcs)



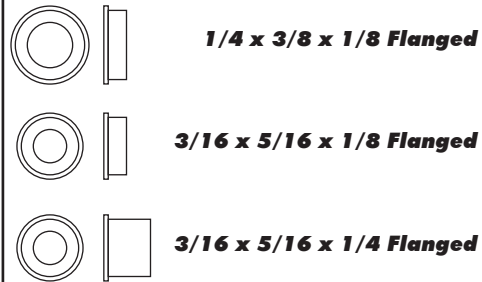
Button Head (bhcs)



Diff Balls



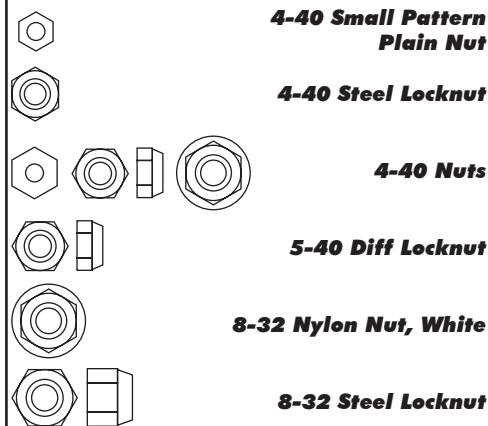
Bushings



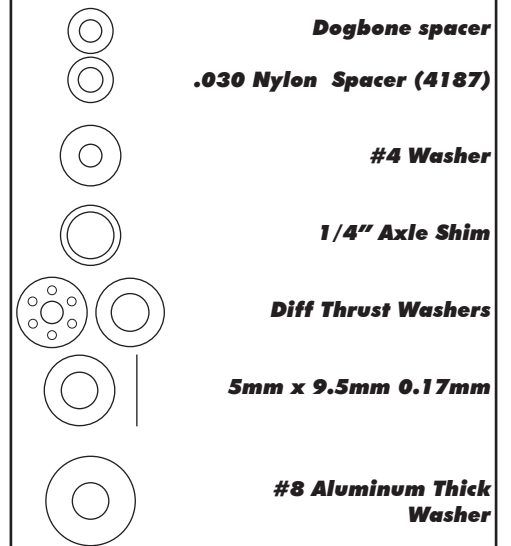
Set Screws



Nuts (lock/plain)



Shims and Washers



Clips



Notes:

Blank area for notes.

:: Table of Contents

1..... Cover	12 - 13..... Turnbuckles Build (Bag F)
2..... Introduction	13 - 15..... Shocks Build (Bag G)
3..... 1:1 Hardware "Fold Out"	16 Chassis Build (Bag H)
4..... Table of Contents	16 - 18..... Electronics Build (Bag I)
5..... Nose Plate / Steering Build (Bag A)	18 - 20..... Wheels, Tires and Body Install (Bag J)
5 - 6..... Front Suspension Build (Bag B)	21..... Notes
7 - 10..... Transmission Build (Bag C)	22..... Back Cover
10 - 11..... Rear Bulkhead Build (Bag D)	
11 - 12..... Rear Suspension Build (Bag E)	

:: Notes

This symbol indicates a special note or instruction in the manual.



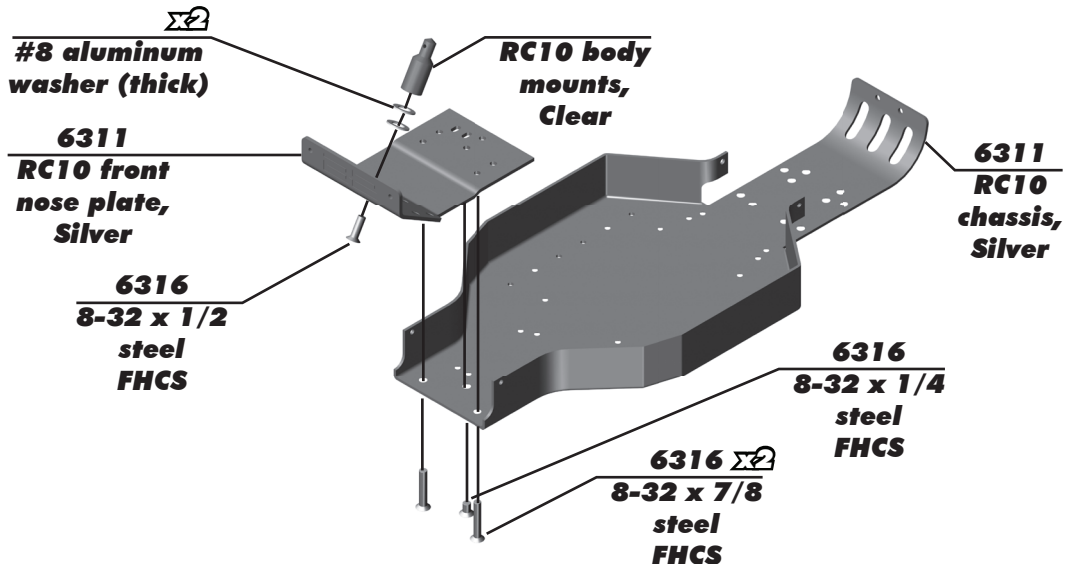
There is a 1:1 hardware foldout page in the front of the manual. To check the size of a part, line up your hardware with the correct drawing until you find the exact size.

Associated Electrics, Inc.
21062 Bake Parkway
Lake Forest, CA 92630

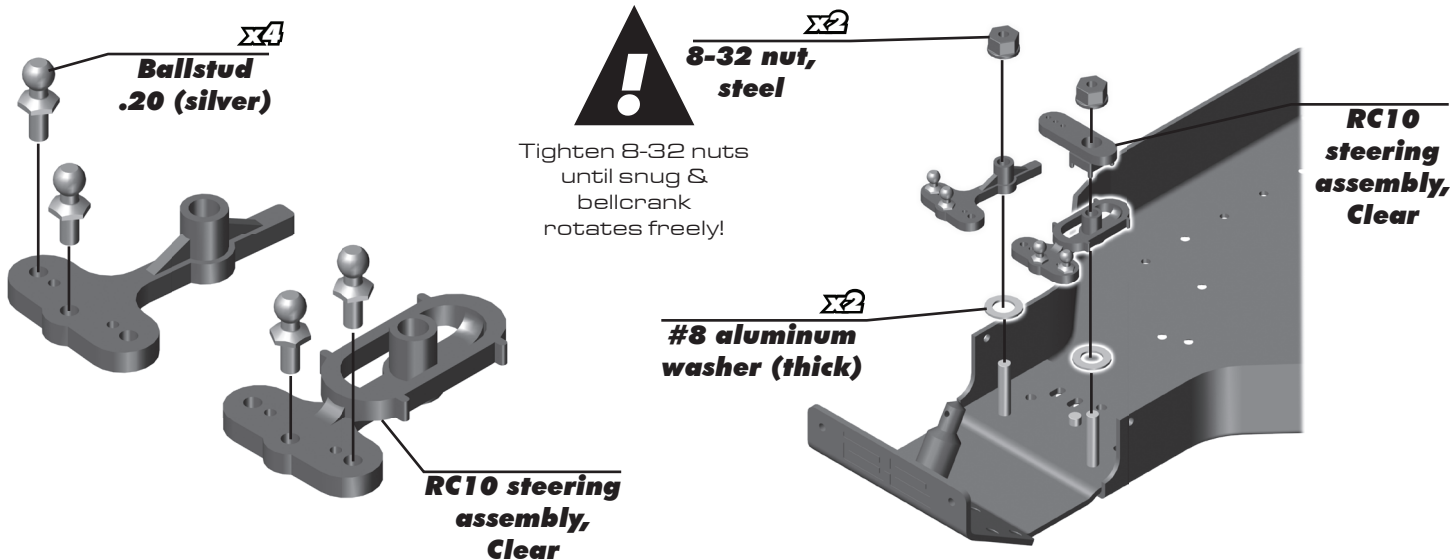


Customer Service
Tel: 949.544.7500
Fax: 949.544.7501

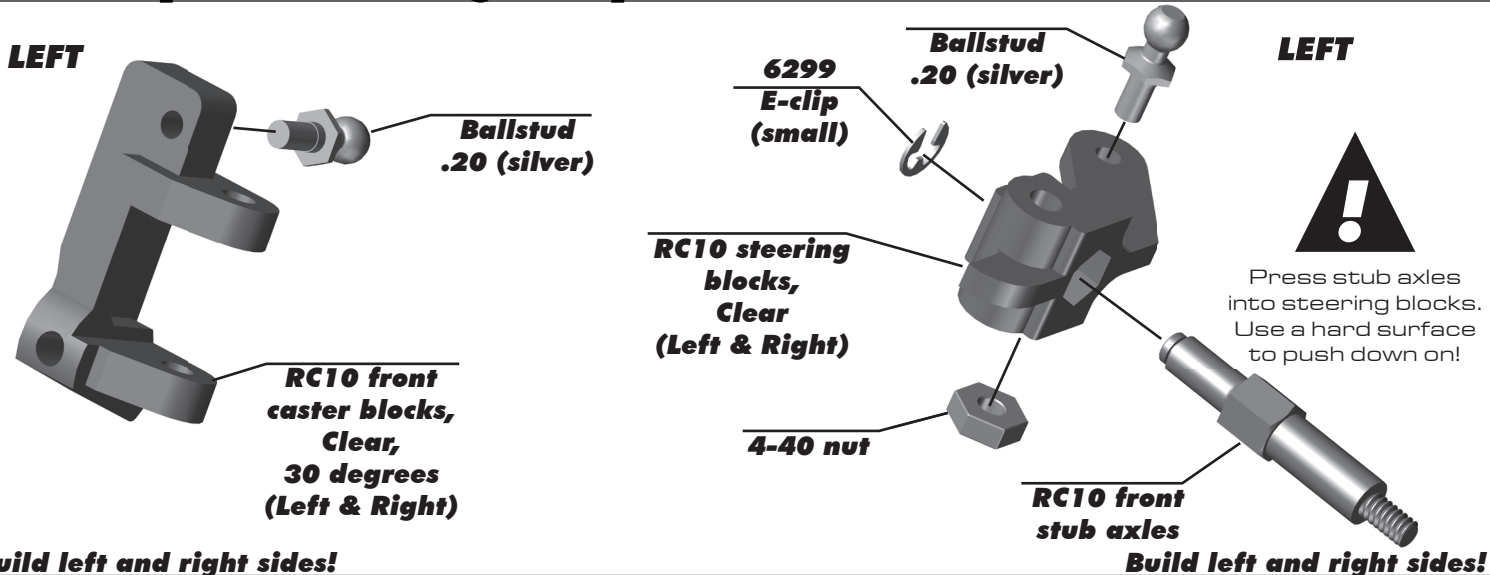
:: Nose Plate / Steering Build - Bag A - Step 1



:: Nose Plate / Steering Build - Bag A - Step 2



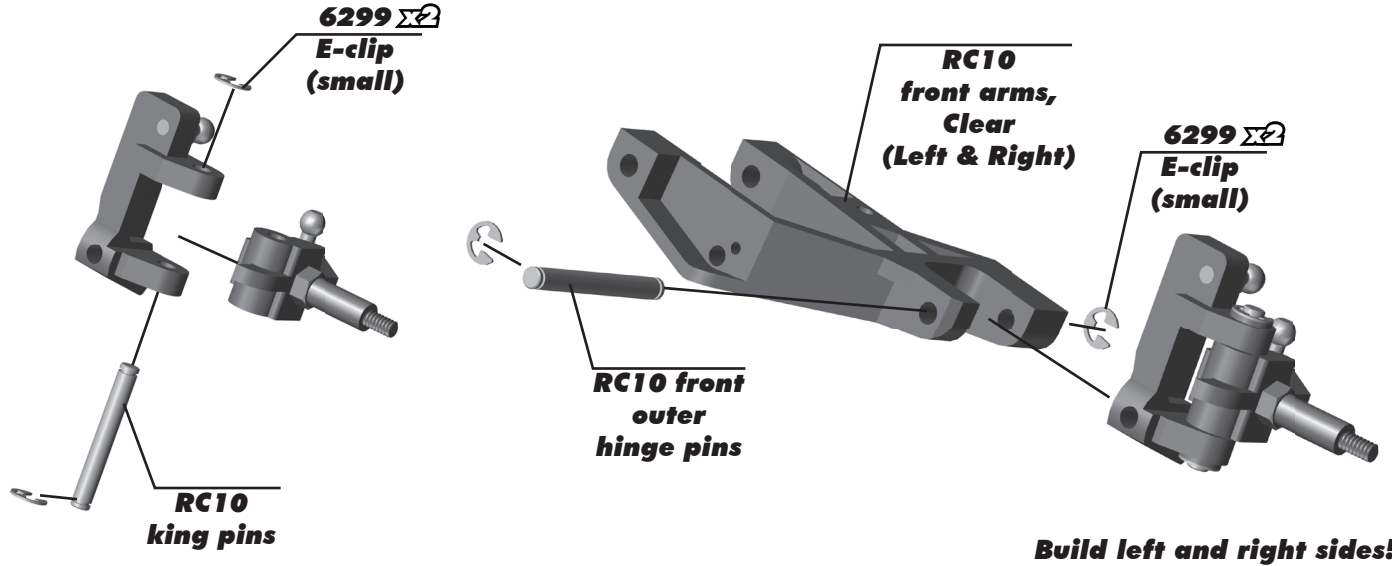
:: Front Suspension Build - Bag B - Step 1



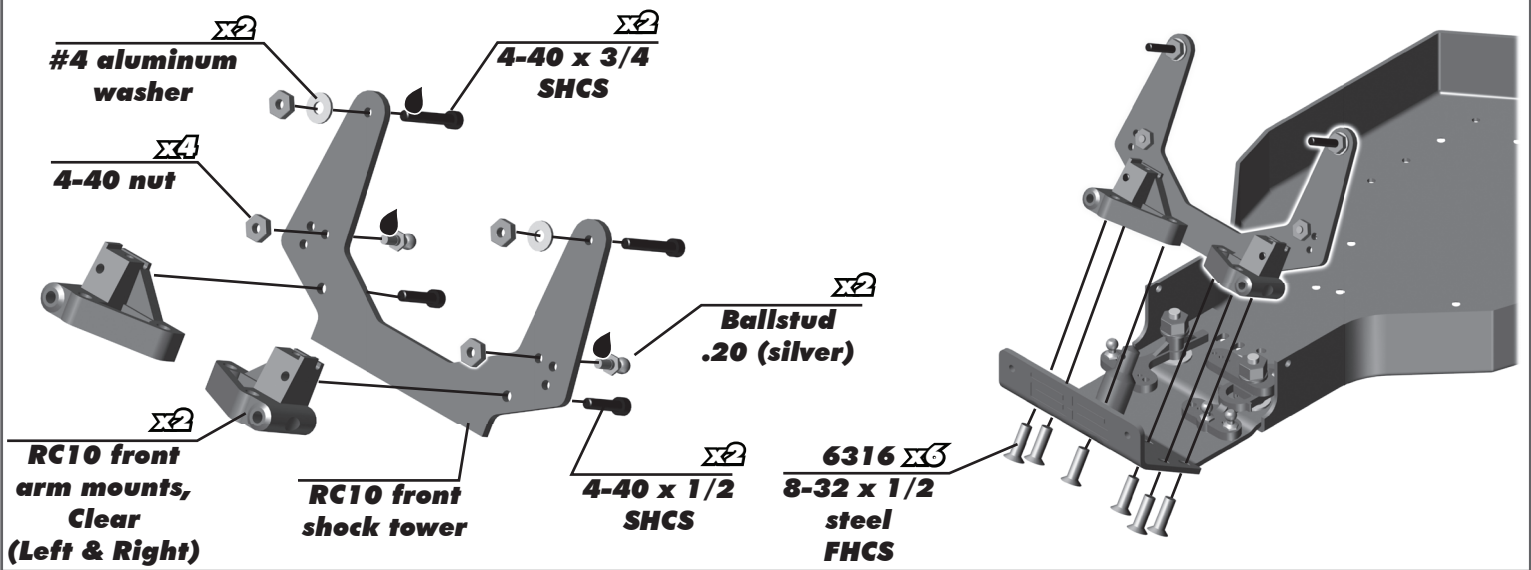
Build left and right sides!

Build left and right sides!

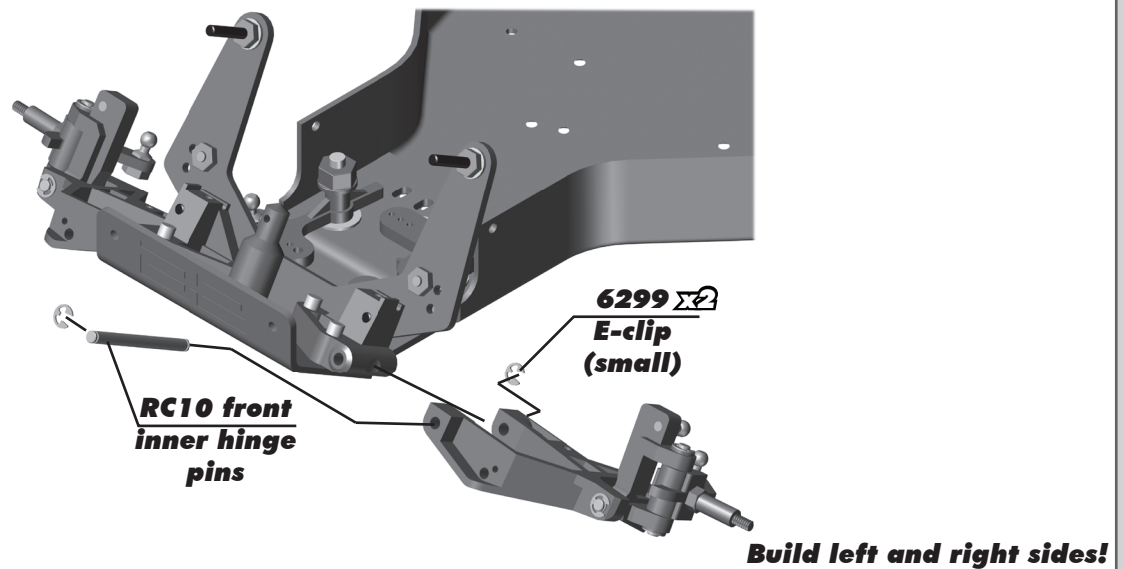
:: Front Suspension Build - Bag B - Step 2



:: Front Suspension Build - Bag B - Step 3

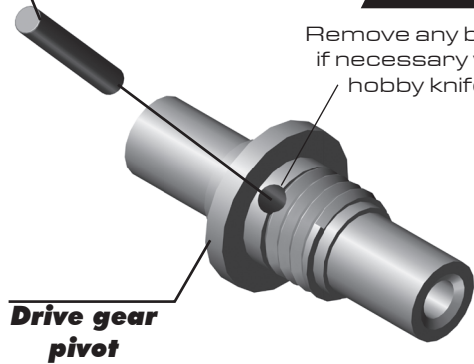


:: Front Suspension Build - Bag B - Step 4



:: Transmission Build - Bag C - Step 1

Drive gear
pivot pin



RC10
spine
plate

Drive gear
pivot nut

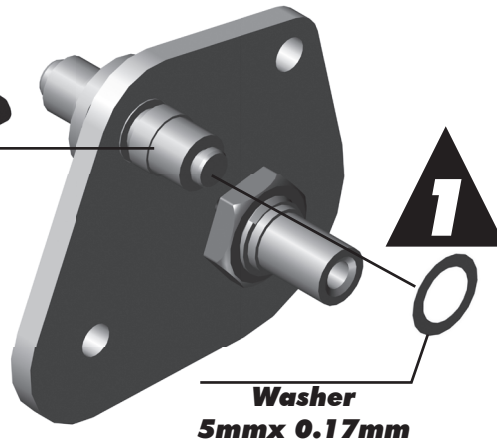
:: Transmission Build - Bag C - Step 2

RC10 idler
gear pivot

NOTE: Install washer [1]
before bowed e-clip [2]

Bowed
e-clip

2



Racer's Tip:

Use a small amount of CA glue on idle pivot hole.

:: Transmission Build - Bag C - Step 3

Oilite bushing
3/16x5/16x1/4

RC10 axle
drive gear

Snap internal retaining clip into groove with internal snap ring pliers!

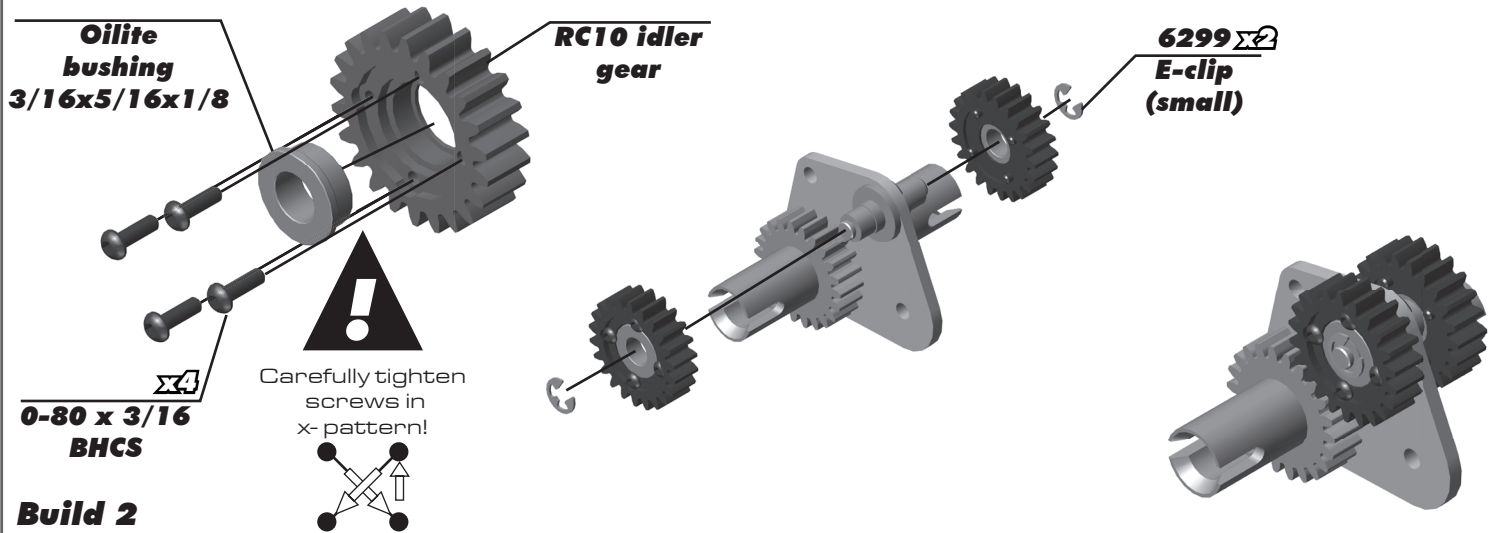
RC10 internal retaining clip

Build 2

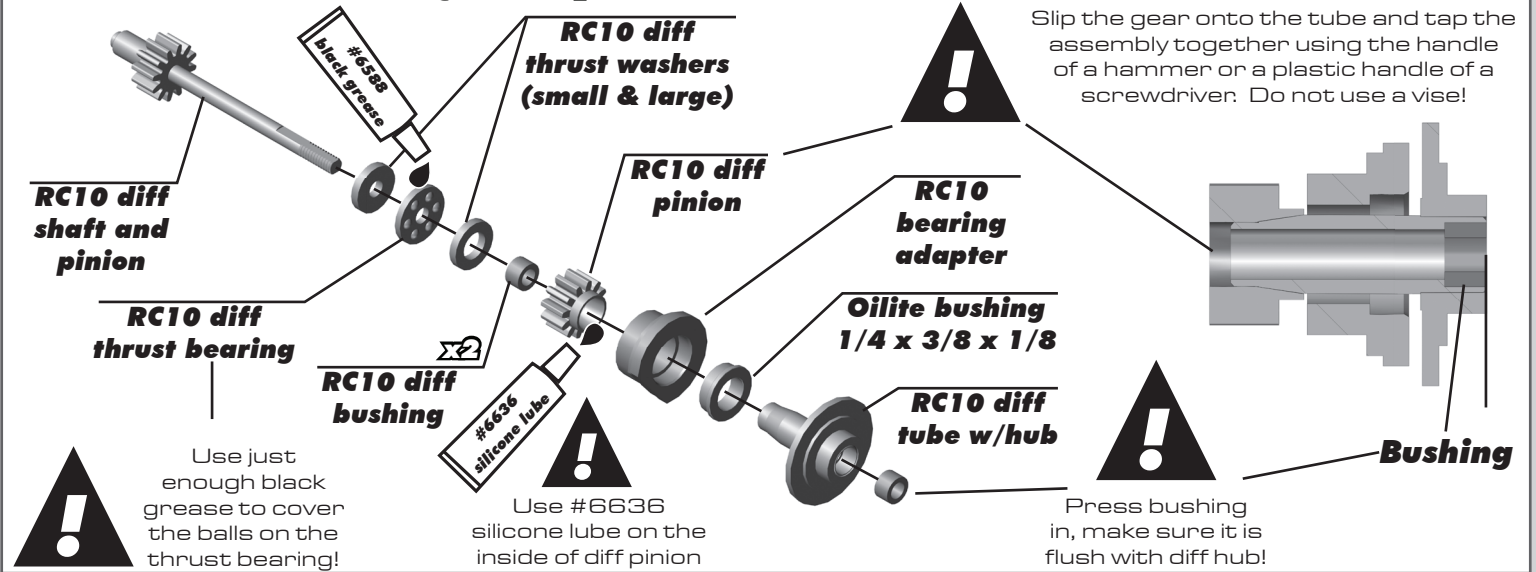
A little in-out play is normal on the outdrives

4-40 x 3/16
BHCS

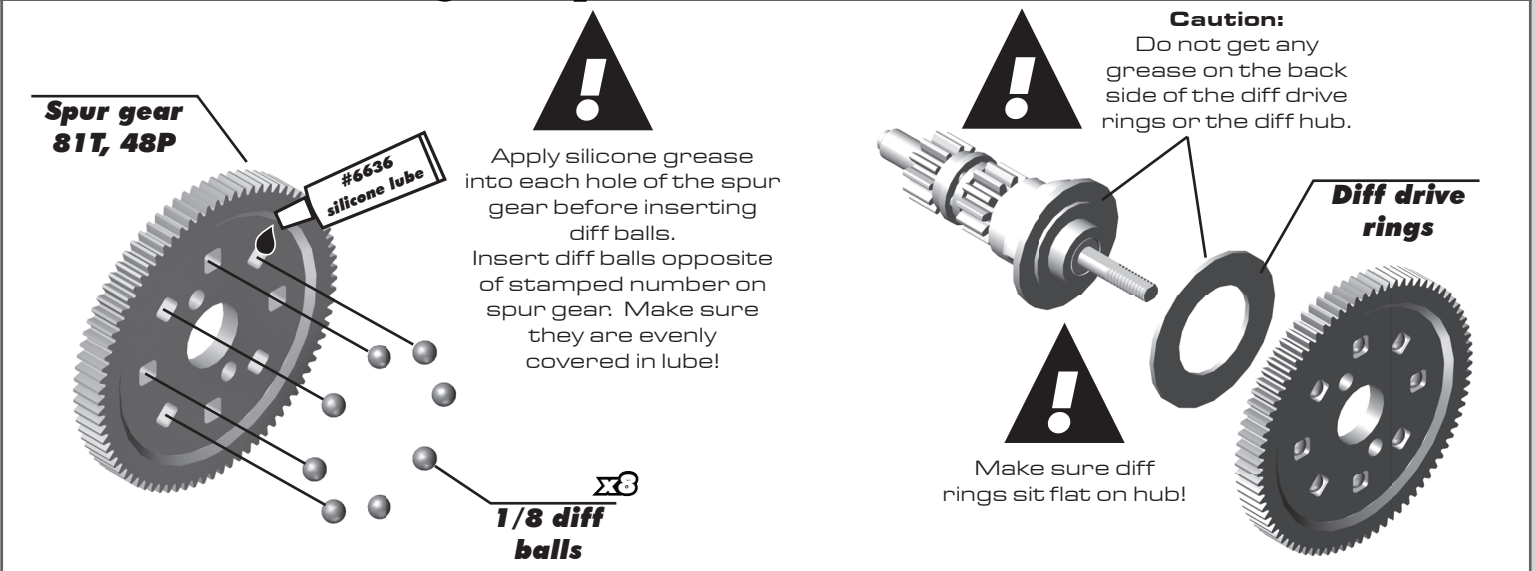
:: Transmission Build - Bag C - Step 4



:: Transmission Build - Bag C - Step 5



:: Transmission Build - Bag C - Step 6



:: Transmission Build - Bag C - Step 7

Caution:
Do not get any grease on the back side of the diff drive rings or the outer hub.

Diff drive rings

RC10 diff spring

5-40 locknut

RC10 diff outer hub

Make sure diff rings sit flat on hub!

Tighten locknut until spring is fully compressed, then back out until lock nut is flush with shaft end. Adjust as necessary.

:: Transmission Build - Bag C - Step 8

6311 RC10 motor plate, Silver

RC10 transmission case, Clear (right)

RC10 transmission case, Clear (left)

RC10 bearing adapter, Clear

6299 E-clip (small)

Oilite bushing 3/16 x 5/16 x 1/8

Cutting a slot in the bearing adapter will make e-clip installation easier!

:: Transmission Build - Bag C - Step 9

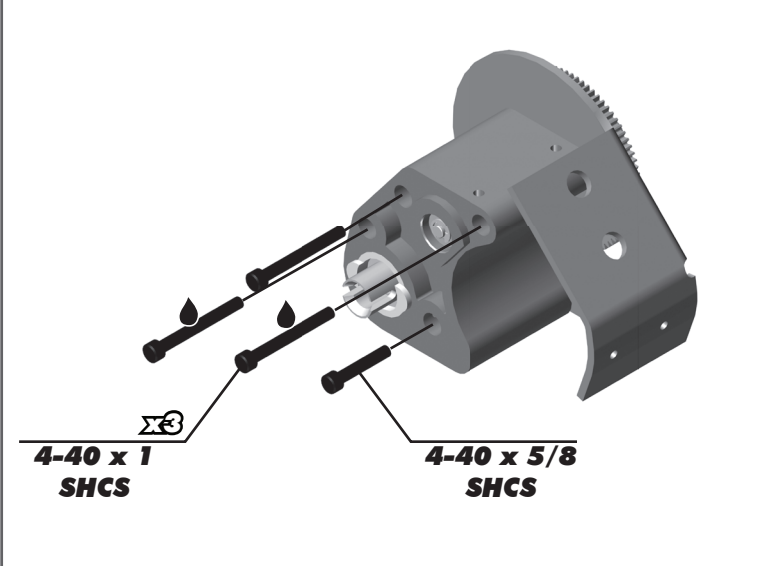
RC10 felt seal, Clear

RC10 felt

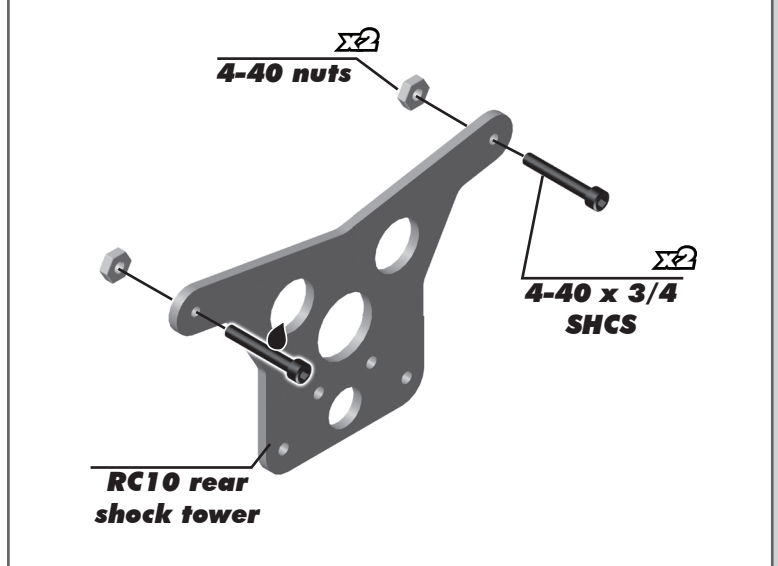
4-40 plain nut (small)

Press nut all the way inside the transmission case.

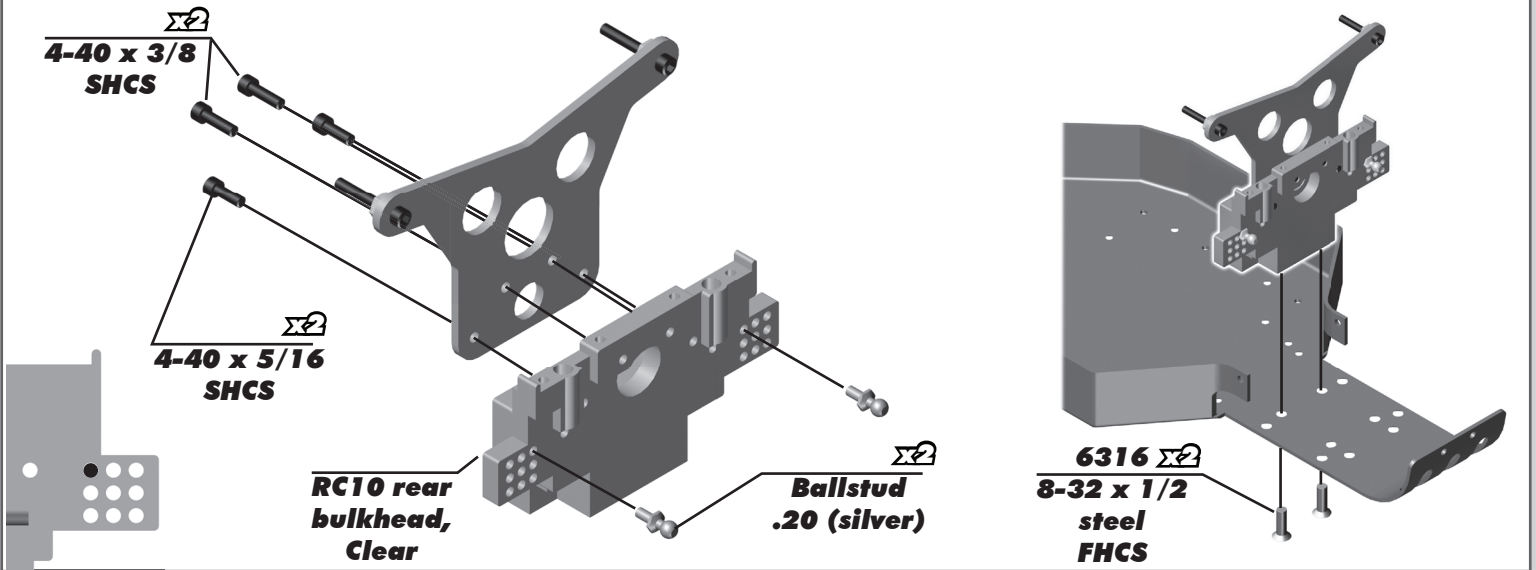
:: Transmission Build - Bag C - Step 10



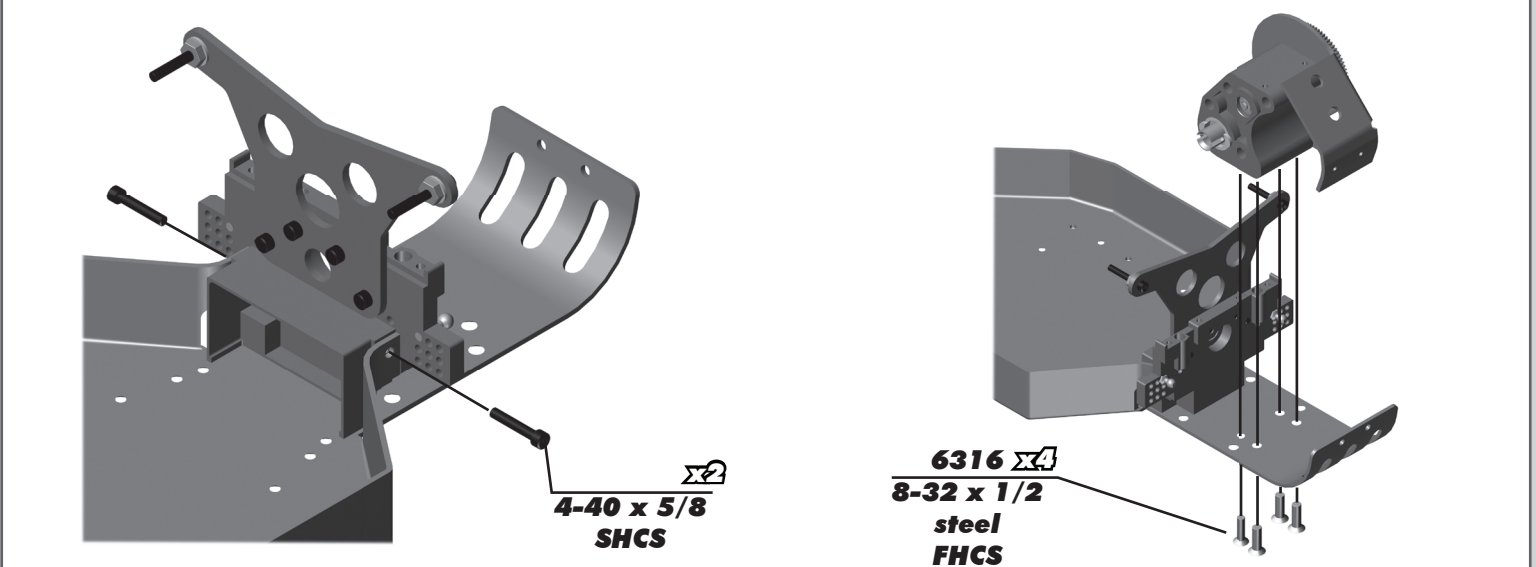
:: Rear Bulkhead Build - Bag D - Step 1



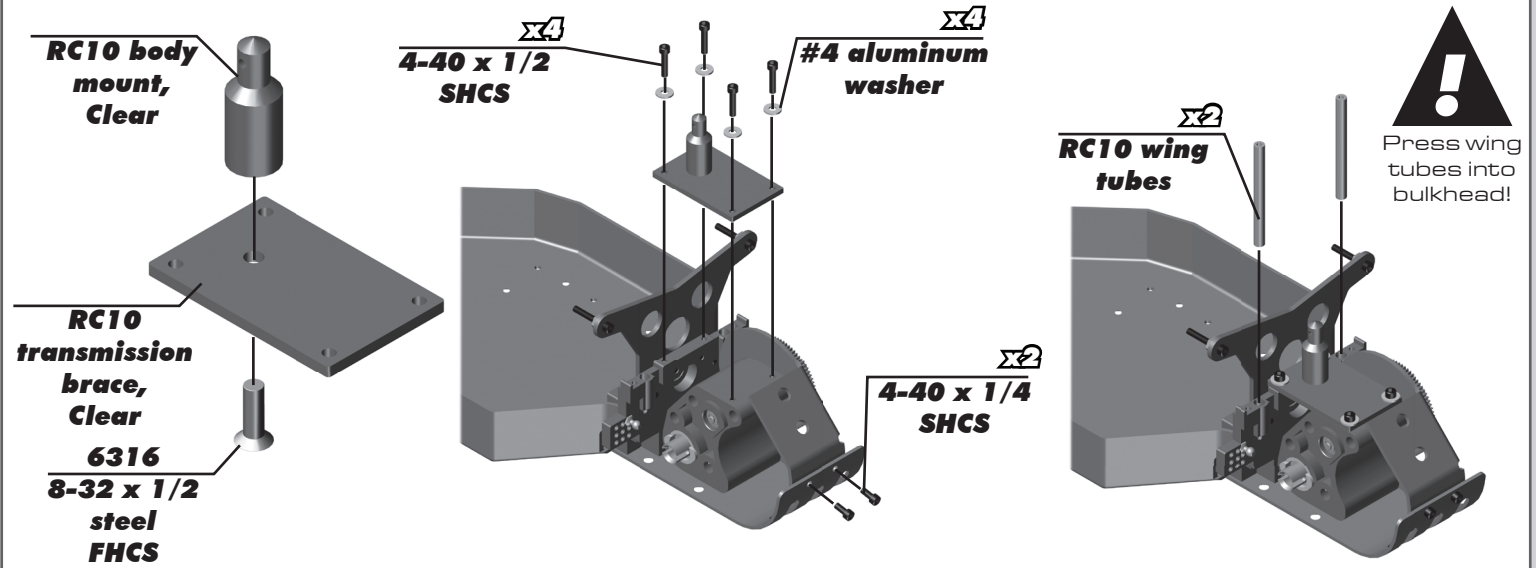
:: Rear Bulkhead Build - Bag D - Step 2



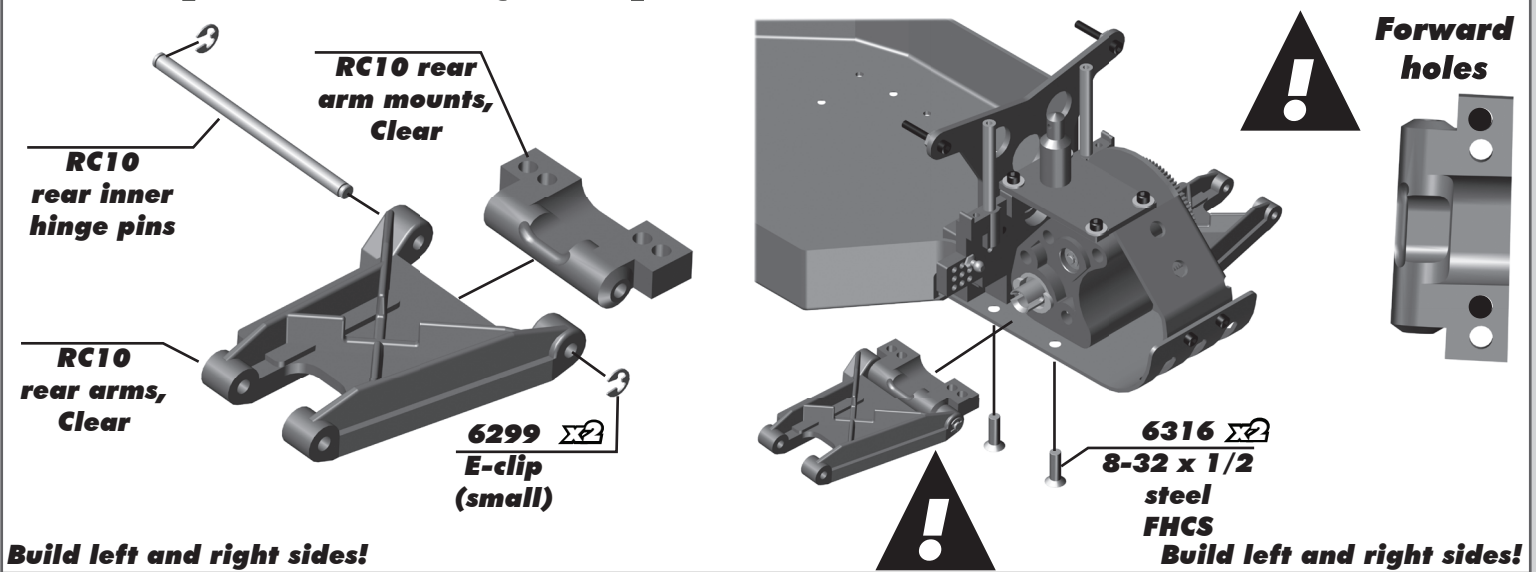
:: Rear Bulkhead Build - Bag D - Step 3



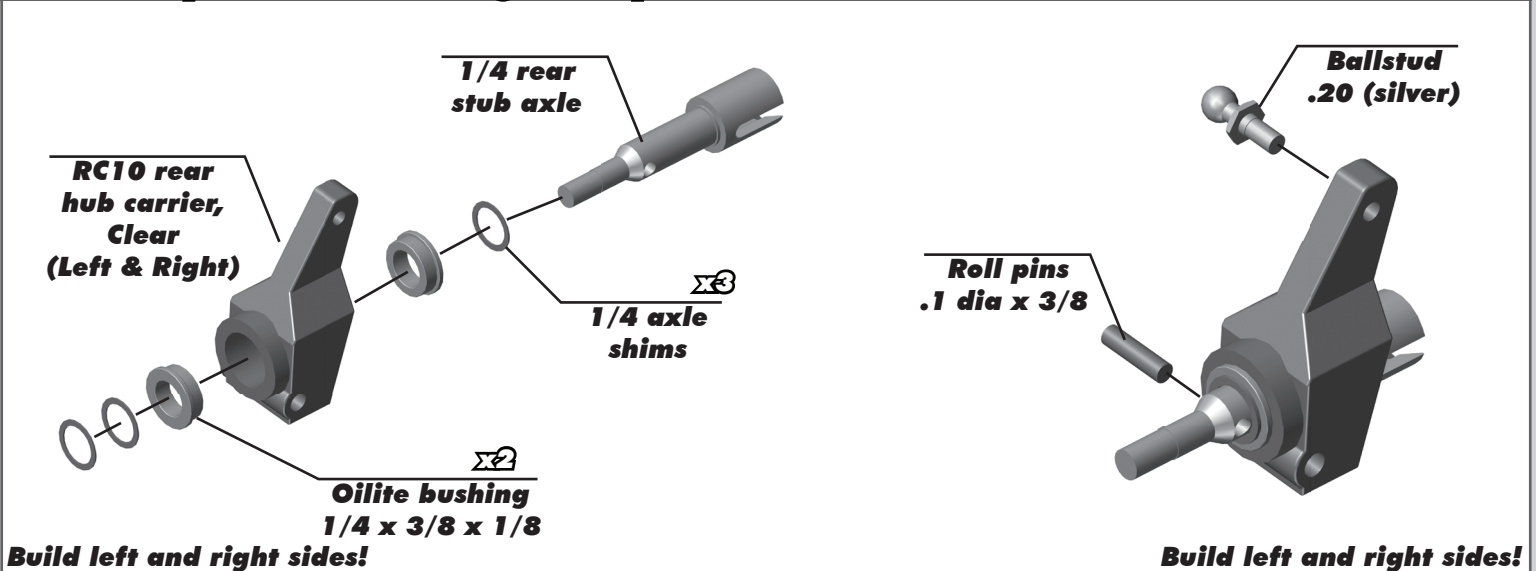
:: Rear Bulkhead Build - Bag D - Step 4



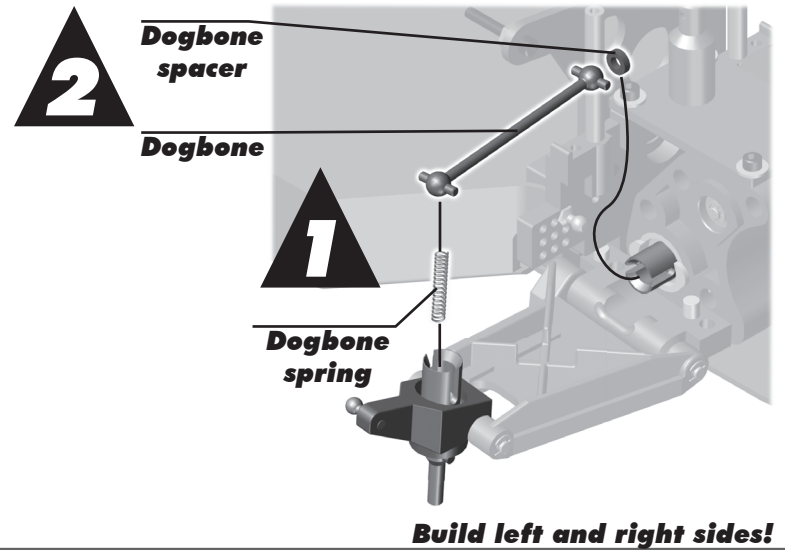
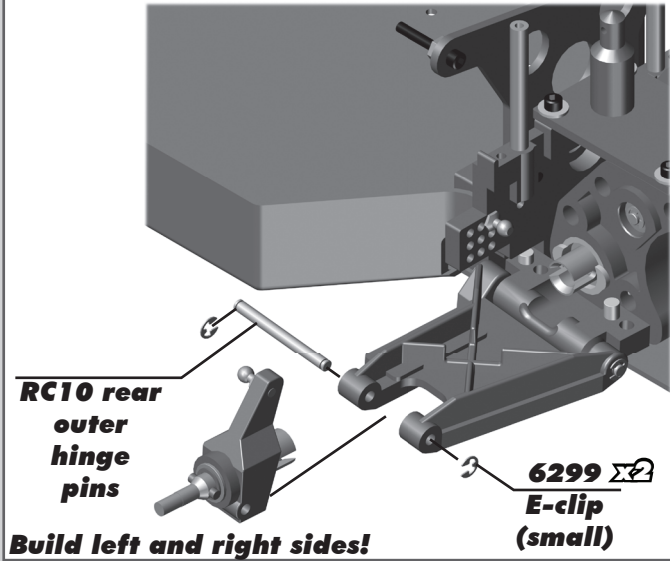
:: Rear Suspension Build - Bag E - Step 1



:: Rear Suspension Build - Bag E - Step 2

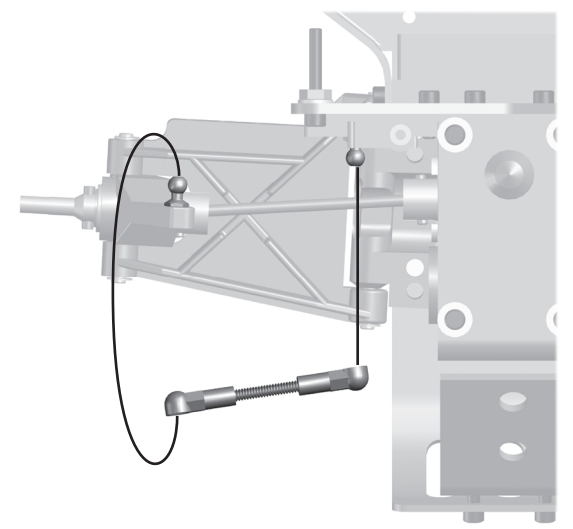
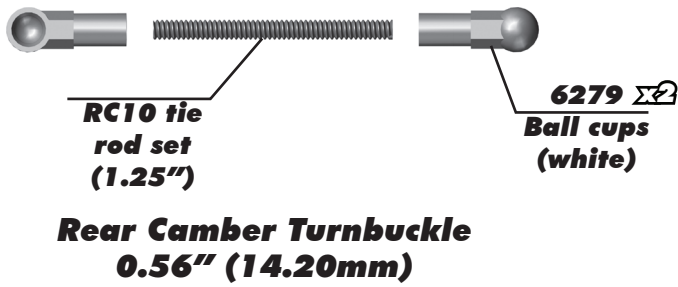


:: Rear Suspension Build - Bag E - Step 3



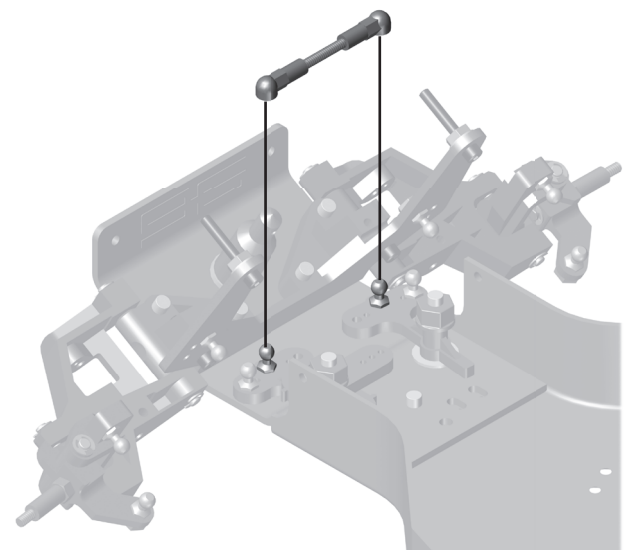
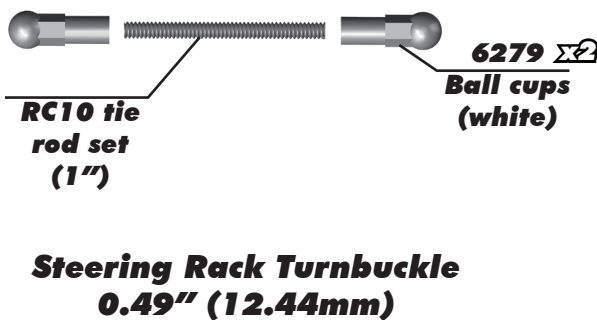
:: Turnbuckles Build - Bag F - Step 1

! Use a pair of pliers or wire cutters to carefully hold the turnbuckle while threading on ball cups.



:: Turnbuckles Build - Bag F - Step 2

! Use a pair of pliers or wire cutters to carefully hold the turnbuckle while threading on ball cups.



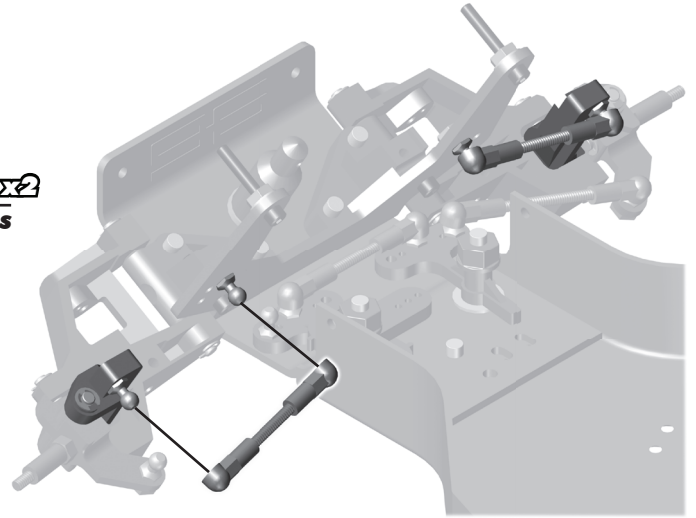
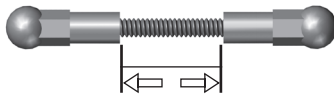
:: Turnbuckles Build - Bag F - Step 3



Use a pair of pliers or wire cutters to carefully hold the turnbuckle while threading on ball cups.



Front Camber Turnbuckle
0.53" (13.5mm)

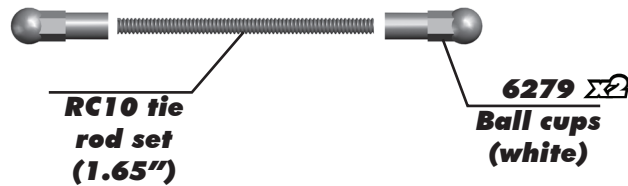


Build left and right sides!

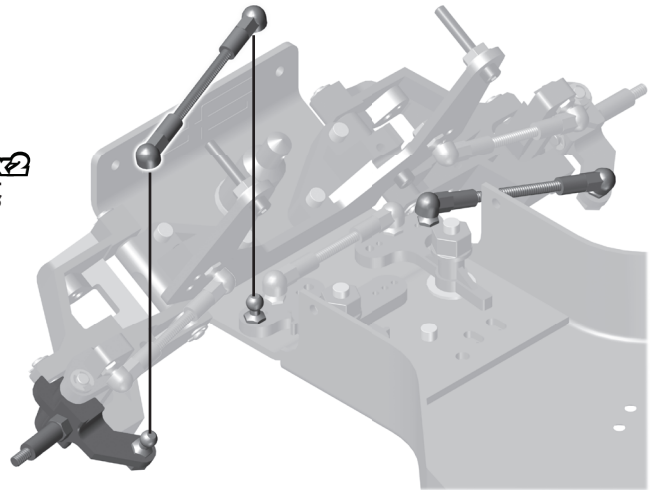
:: Turnbuckles Build - Bag F - Step 4



Use a pair of pliers or wire cutters to carefully hold the turnbuckle while threading on ball cups.



Steering Turnbuckle
1.09" (27.70mm)

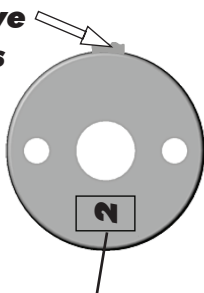


Build left and right sides!

:: Shocks Build - Bag G - Step 1

Remove spurs

Piston



Piston number here
Use #2 = front shocks
Use #2 = rear shocks

6299 E-clip (small)

Shock shaft, front (0.56)

Shock shaft, rear (1.32)



Shock pistons (1, 2, 3)

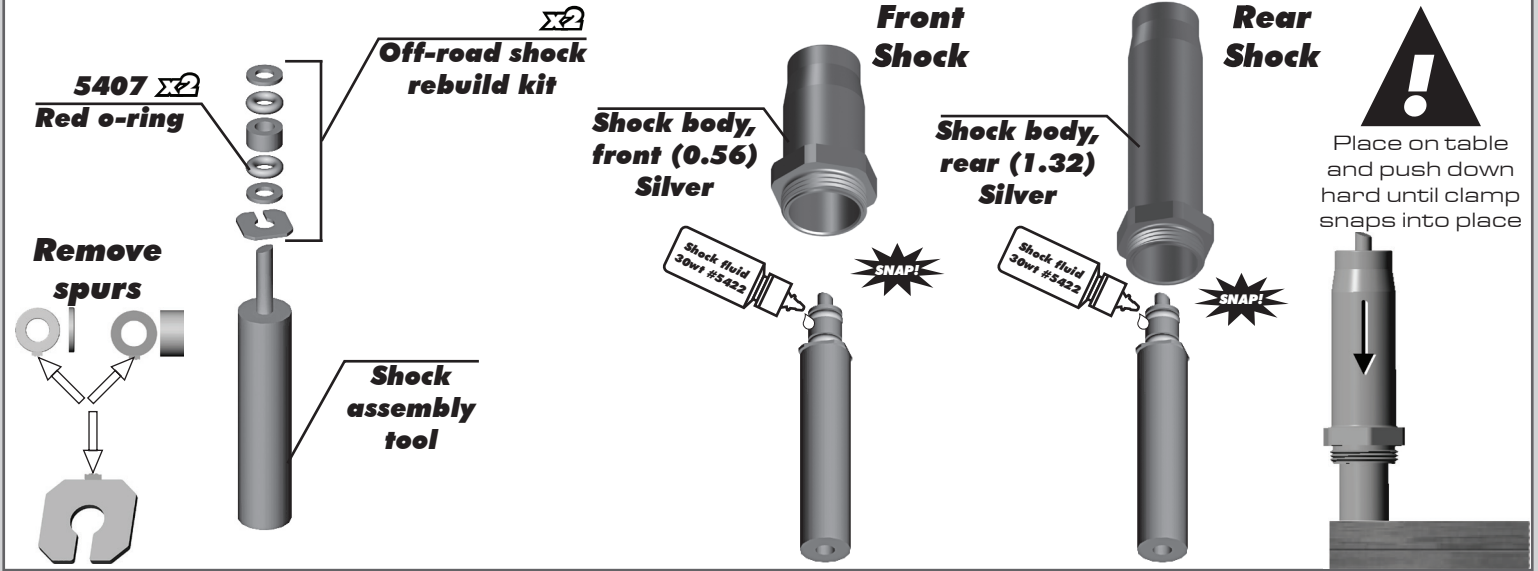
6299 E-clip (small)



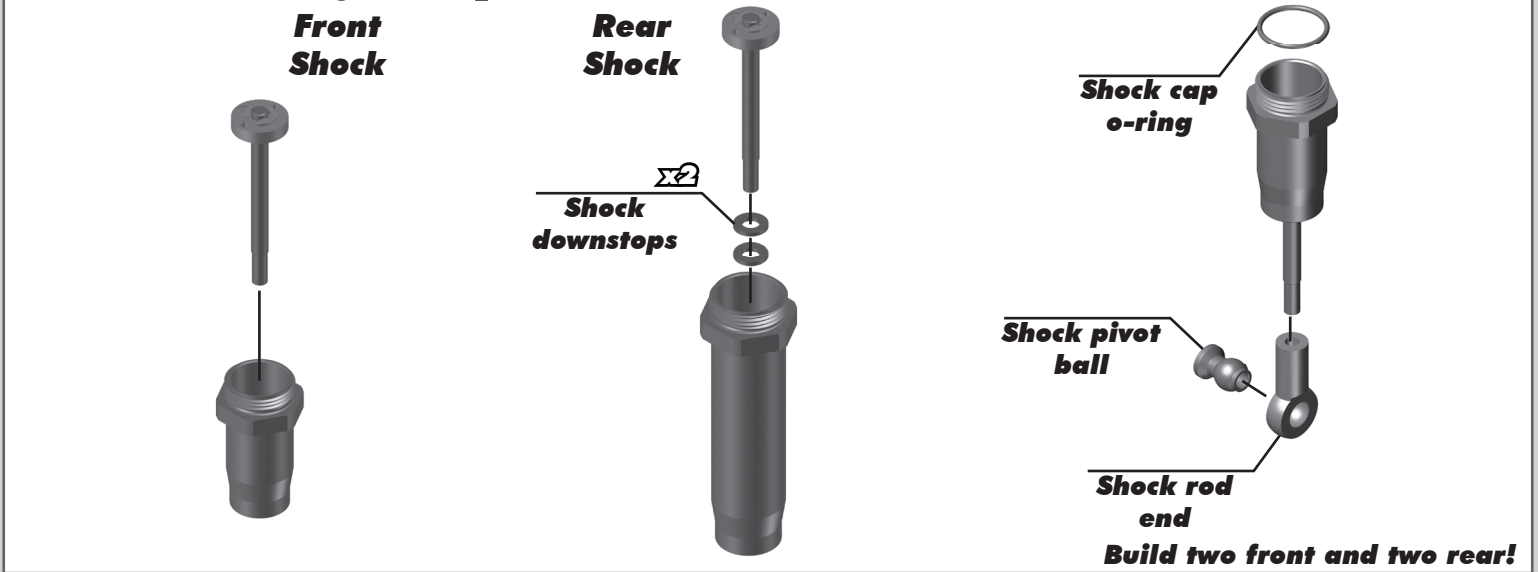
TIP: Use marker to mark the piston numbers for easy identification!

Build two front and two rear!

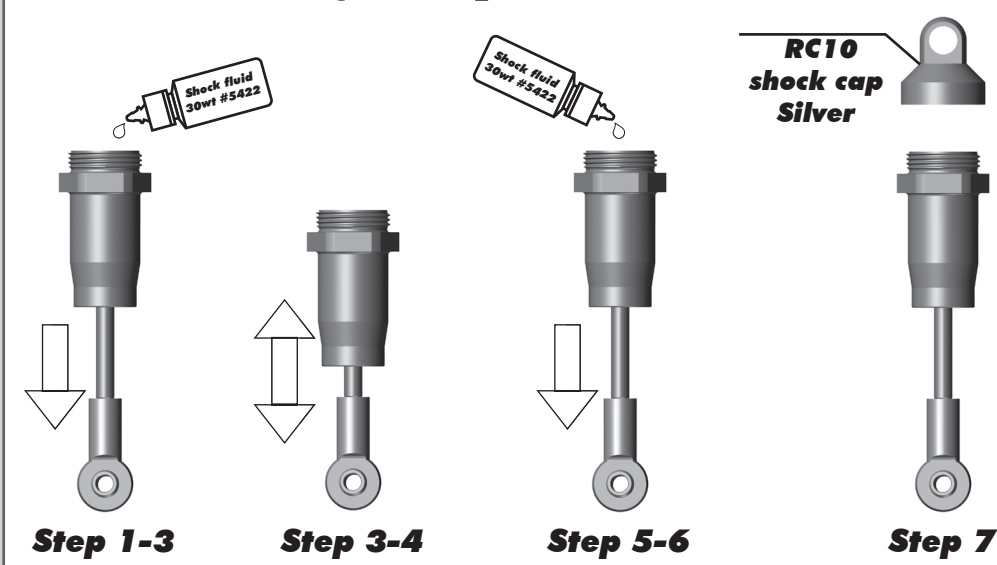
:: Shocks Build - Bag G - Step 2



:: Shocks Build - Bag G - Step 3



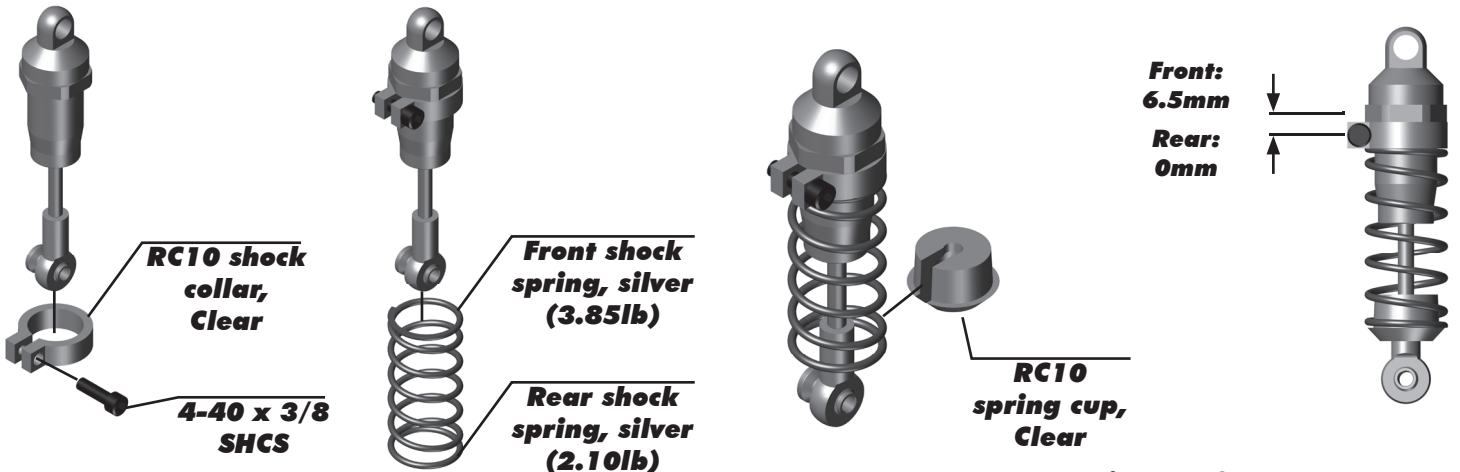
:: Shocks Build - Bag G - Step 4



* Shock Bleeding Steps:

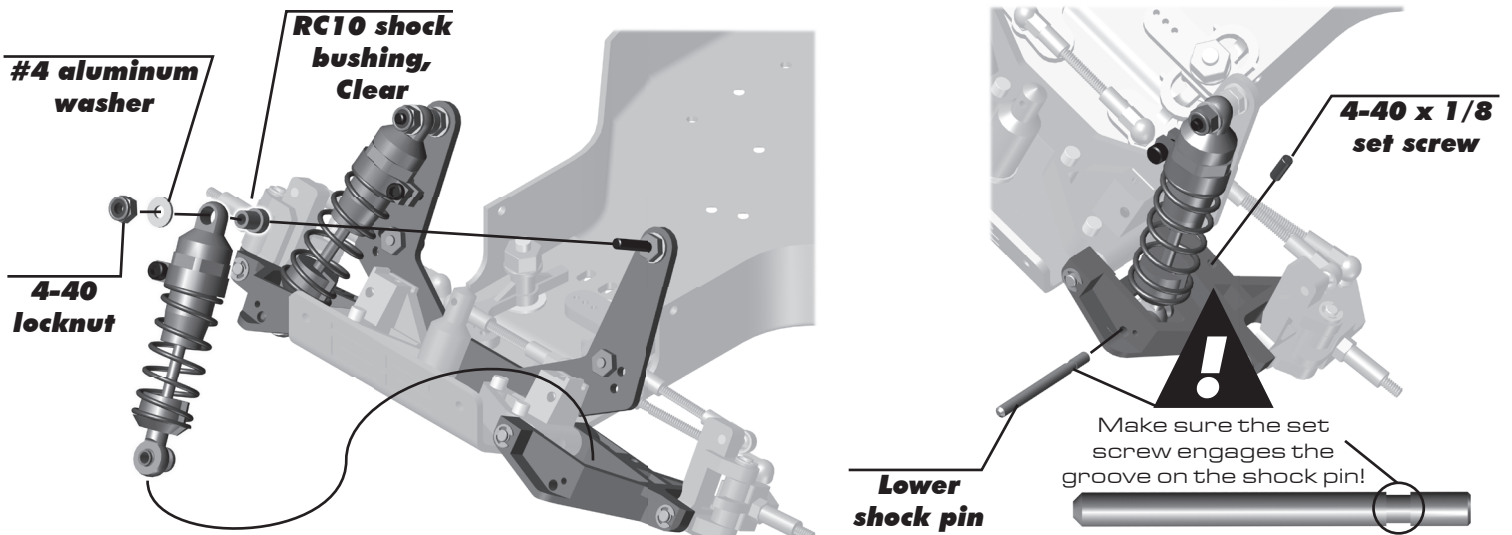
1. Pull shock shaft down.
2. Fill shock body 3/4 full with silicone fluid.
3. Slowly move the shock shaft up and down to remove air from under piston.
4. Wait for bubbles to come to surface.
5. Fill shock body to top with silicone fluid.
6. Place several drops of oil in the cap and on cap threads.
7. Install cap and tighten completely.
8. Slowly compress shaft all the way to the top. If there is pressure at the top of the stroke, there is too much oil. You must bleed it out.
9. Slowly pull shaft down.
10. Unscrew the cap 3/4 turn and tilt the shock at a slight angle.
11. Slowly compress the shaft to push out excess oil and air. You should see bubbles coming out from under the cap.
12. With the shaft compressed, tighten the cap and re-check for pressure at the top of the stroke. If there is still pressure, repeat steps 9 thru 11.

:: Shocks Build - Bag G - Step 5



Build two front and two rear!

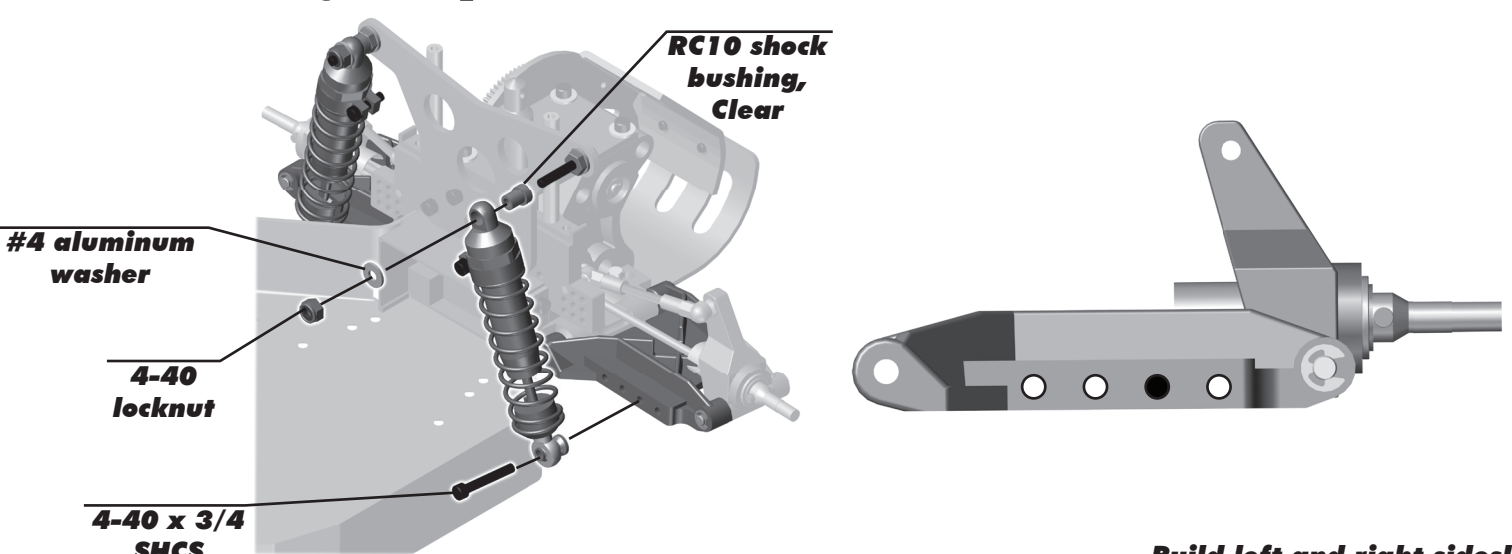
:: Shocks Build - Bag G - Step 6



Build left and right sides!

Build left and right sides!

:: Shocks Build - Bag G - Step 7



Build left and right sides!

:: Chassis Build - Bag H - Step 1

2

4-40 x 3/8 BHCS

1

4-40 x 1/4 BHCS

RC10 nose brace tubes

6338 Antenna tube and cap

RC10 antenna mount, Clear

4-40 x 3/8 FHCS

Build left and right sides!

:: Electronics Build - Bag I - Step 1

#4 aluminum washer

RC10 battery cup and strap Clear

4-40 x 1/2 SHCS w/hole *x2*

4-40 x 1/8 set screw *x2*

1/8 set collar *x2*

Z bend servo wire *x2*

!

Wires may need to be bent slightly to clear some servos, depending on configuration!

:: Electronics Build - Bag I - Step 2

!

Align Z-bend wires so that the set screw tightens down on both wires at once!

RC10 servo mounts, Clear *x2*

Servo not included!

#4 aluminum washer *x4*

4-40 x 3/8 SHCS *x4*

Servo horn and screw not included!

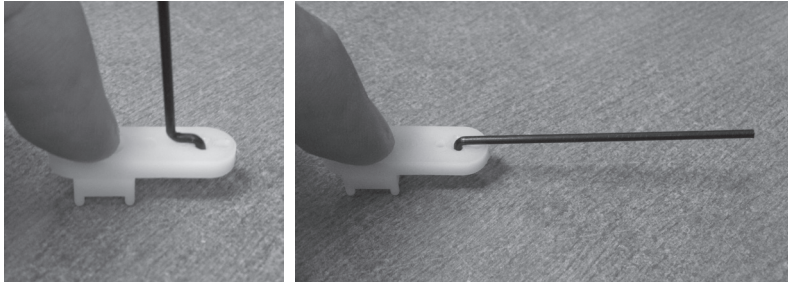
89007 Servo horn (recommended)

:: Electronics Build - Bag 1 - Step 3

Follow steps below to properly install Z bend wire into servo horn and steering link.

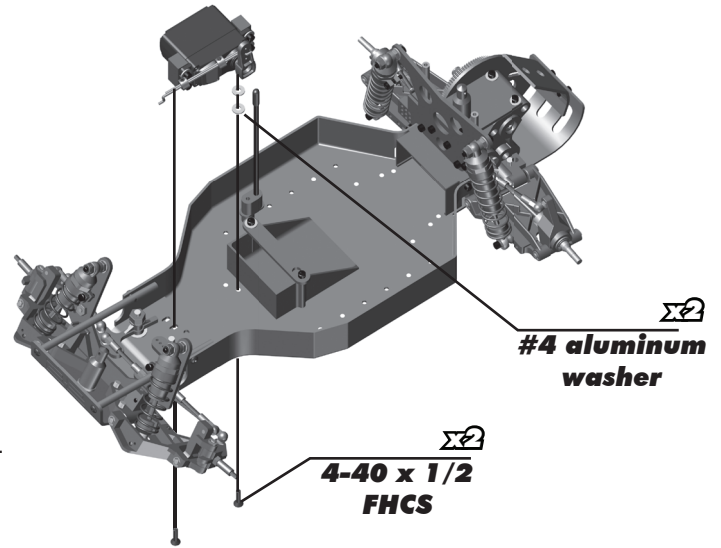


NOTE: Hole choice may vary depending on servo and servo horn used.

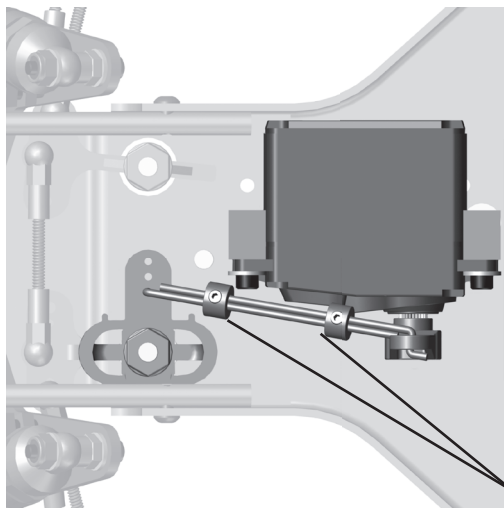


- 1) Press down on the Z bend wire....
- 2) Rotate the wire so the Z bend wire is fully installed into steering link as shown.

TIP: Chamfering the top of the hole slightly will help to press in Z bend wire.



:: Electronics Build - Bag 1 - Step 4

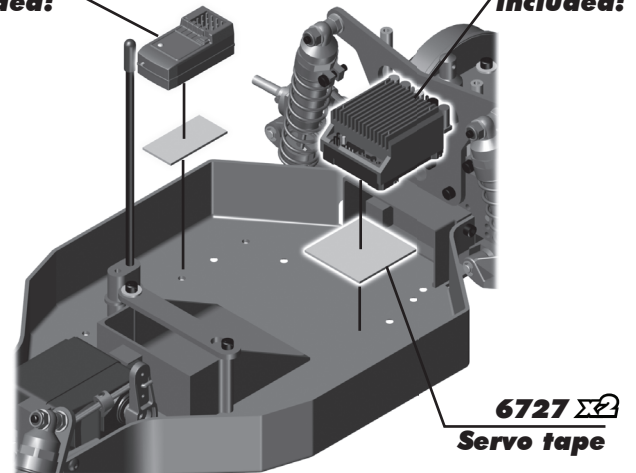


Install Z bend servo wire into steering bellcrank as shown. Ensure that full steering throw can be achieved with your servo horn setup!

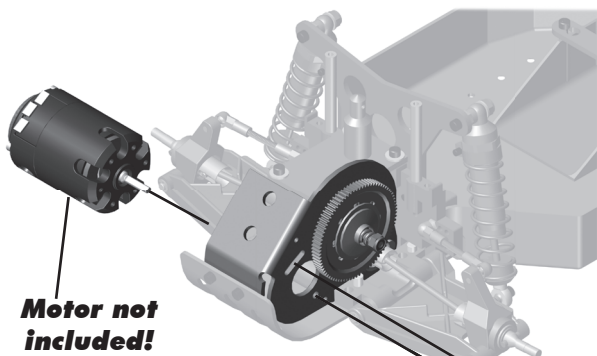
Space collars as wide as possible while still clamping both wires.

Receiver not included!

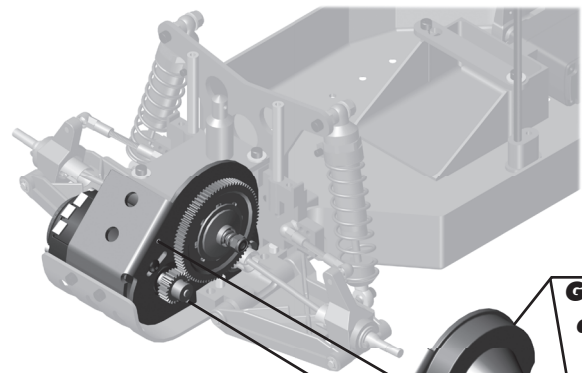
ESC not included!



:: Electronics Build - Bag 1 - Step 5



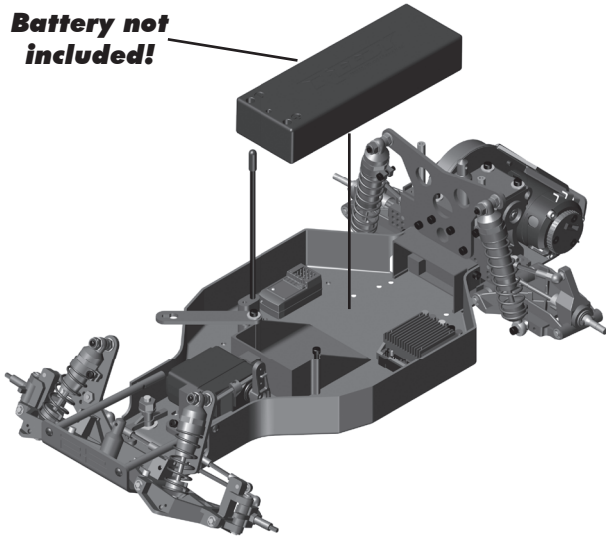
31531 3 x 6mm BHCS



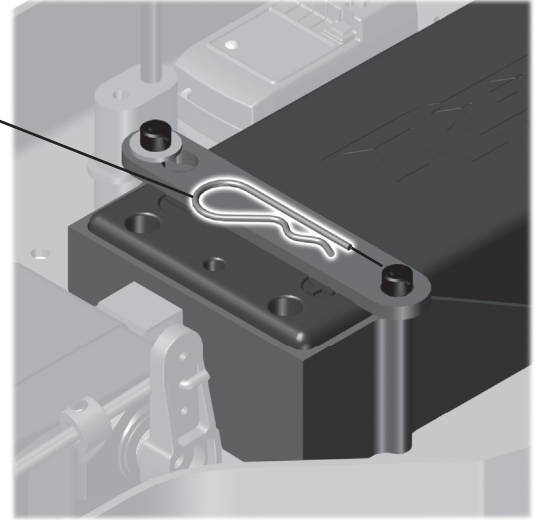
4-40 x 3/16 BHCS

:: Electronics Build - Bag I - Step 6

Battery not included!

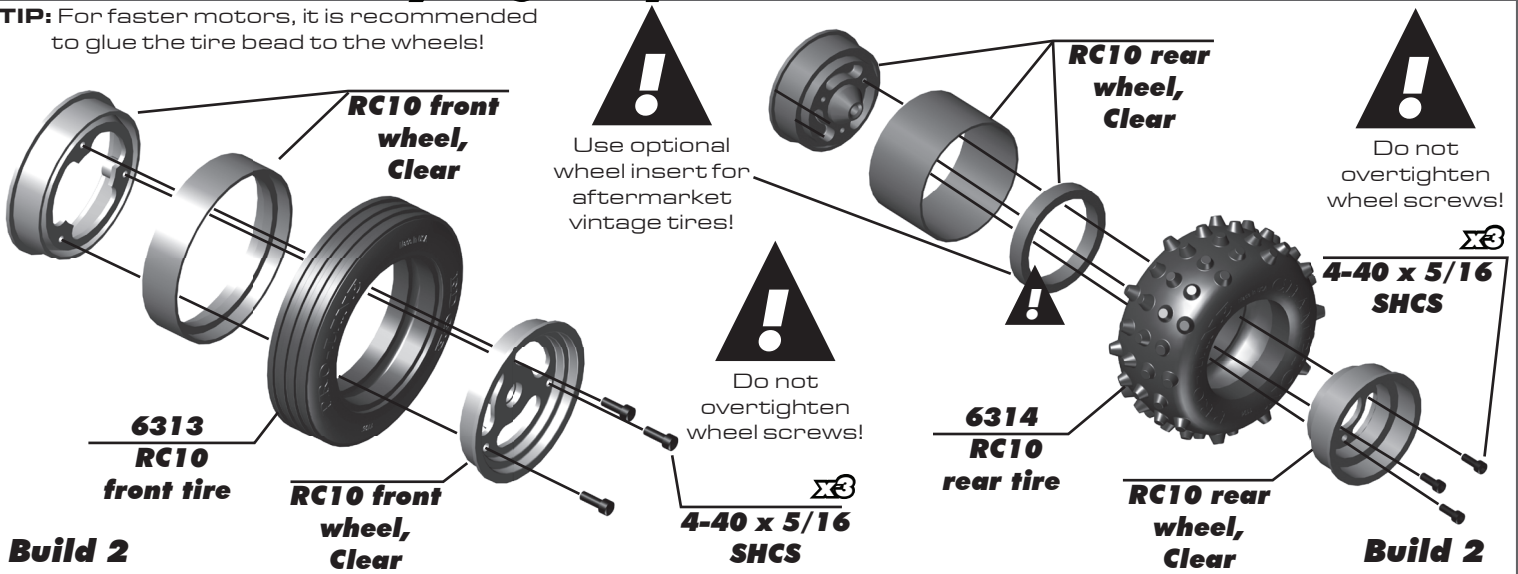


**6332
Body clip**

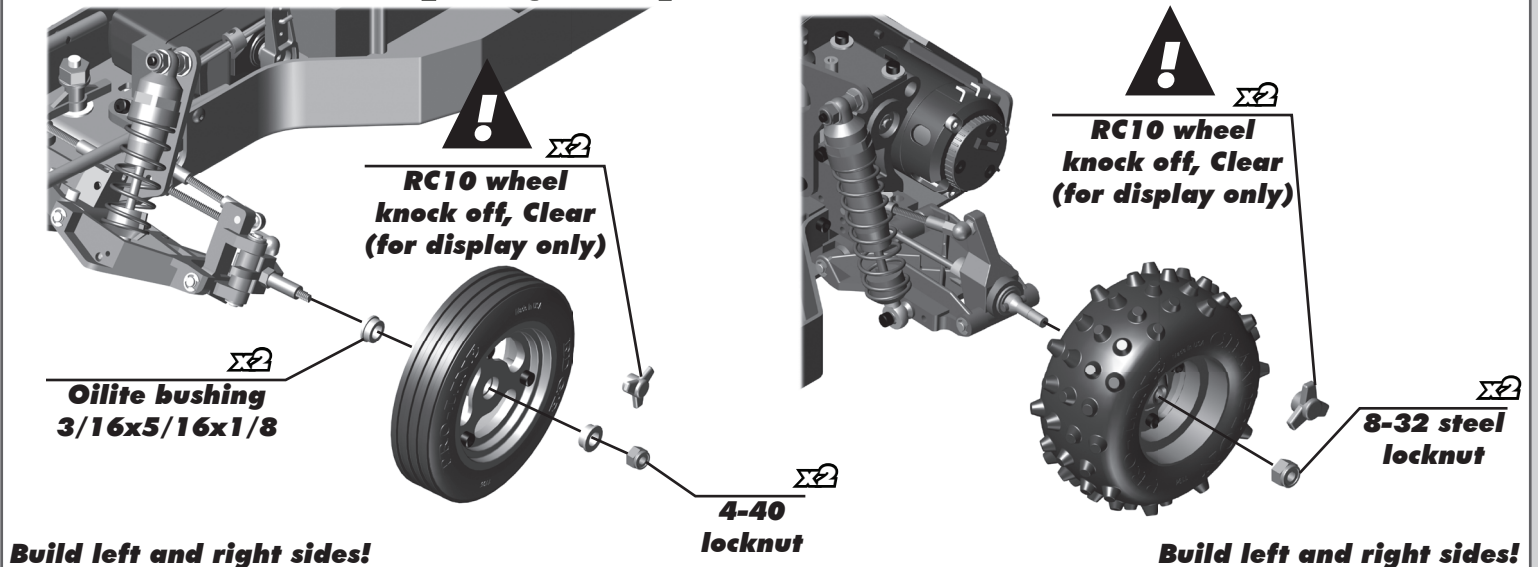


:: Wheels / Tires and Body - Bag J - Step 1

TIP: For faster motors, it is recommended to glue the tire bead to the wheels!



:: Wheels / Tires and Body - Bag J - Step 2



:: Wheels / Tires and Body - Bag J - Step 3

Painting Tips:

Your RC 10CC Kit comes with a clear polycarbonate body and wing. You will need to prep the body and wing before you can paint them. Wash the inside thoroughly with warm water and liquid detergent. Dry the body and wing using a clean, soft, lint-free cloth. Use high quality masking tape to make masks for the windows and install them on the inside of the body (RC cars get painted from the inside).

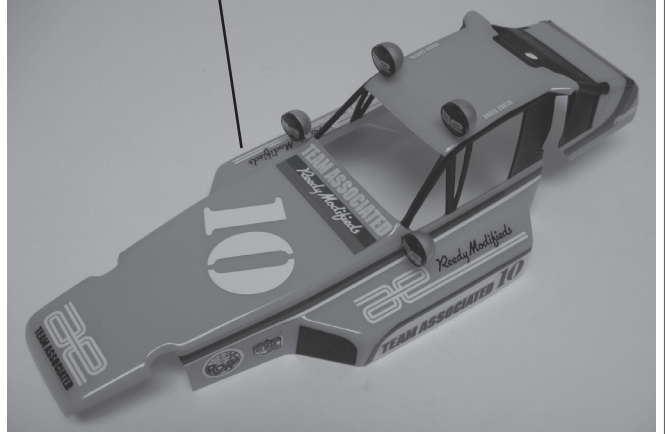
Using high quality masking tape, apply tape to the inside of the body to create a design. Spray (either rattle can or airbrush R/C specific paint) the paint to the inside of the body (preferably dark colors first, lighter colors last).

NOTE: use ONLY paint that is recommended for use with (polycarbonate) plastics. If you do not, you can destroy the plastic body and wing!!!!).

It is recommended to wear a mask while painting.

After the paint has dried, cut the body and wing along the trim lines. Make sure to drill or use a body reamer to make the holes for the body mounts, wing mounts, and antenna!

6159
RC10 Protech
Buggy body,
unpainted



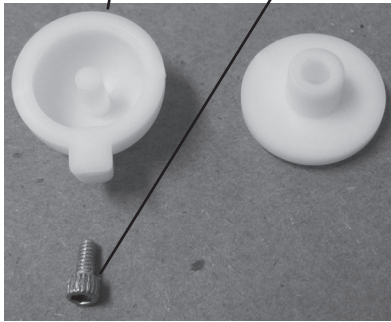
:: Wheels / Tires and Body - Bag J - Step 4

Light Buckets:

Press the light bucket halves together.
Install light buckets with 2-56 x 3/16 SHCS in areas shown.

Light
buckets,
Clear

x4
2-56 x 3/16
SHCS



Mount the light buckets in any location of your choosing, or not at all.



:: Wheels / Tires and Body - Bag J - Step 5

Painting Tips:

Driver :

Your RC 10 Kit comes with a clear polycarbonate driver figure. You will need to prep the driver figure before you can paint it. Wash the inside and outside thoroughly with warm water and liquid detergent. Dry the driver figure using a clean, soft, lint-free cloth. The driver figure can be painted from the inside or the outside, depending on what type of finish you would like. If painted from the inside, the painted sections will appear glossy. If painted on the outside, the painted sections will appear flat or matte finished. Trim as shown and install inside the body using strapping tape. After painting, cut the body and wing along the trim lines.

NOTE: use ONLY paint that is recommended for use with (polycarbonate) plastics. If you don't, you can destroy the plastic body, driver figure, and wing!!!!.

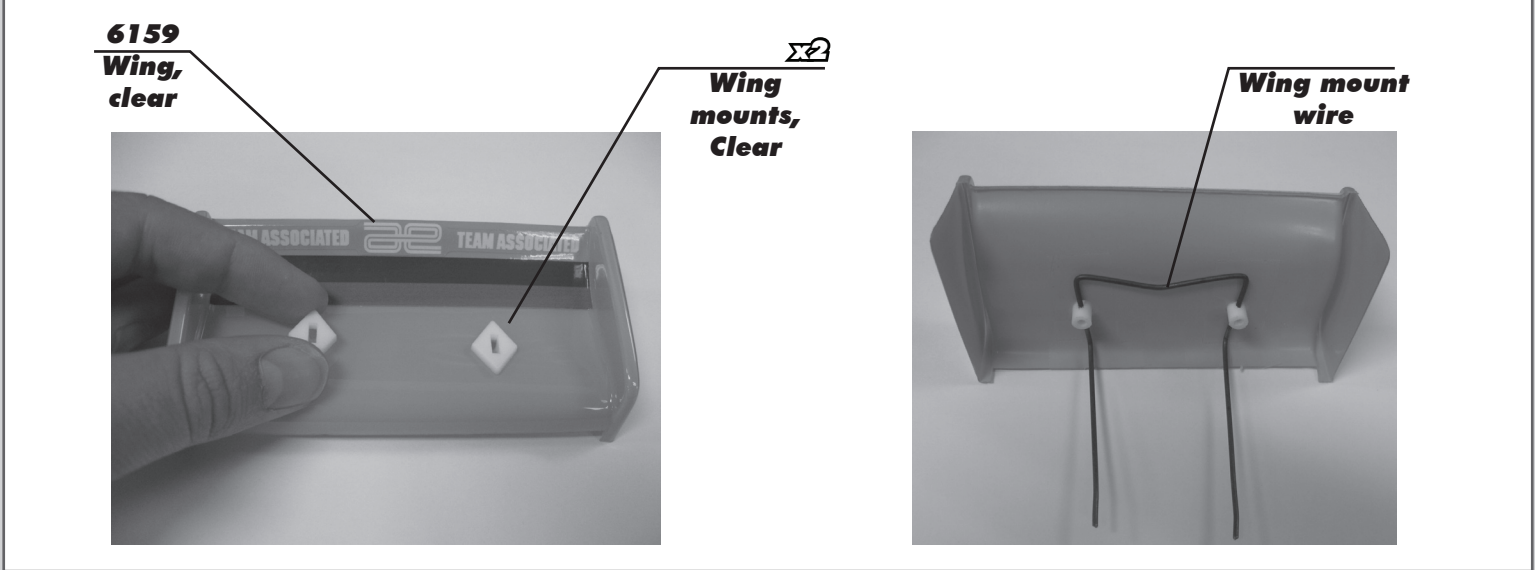
RC10 driver
figure, clear



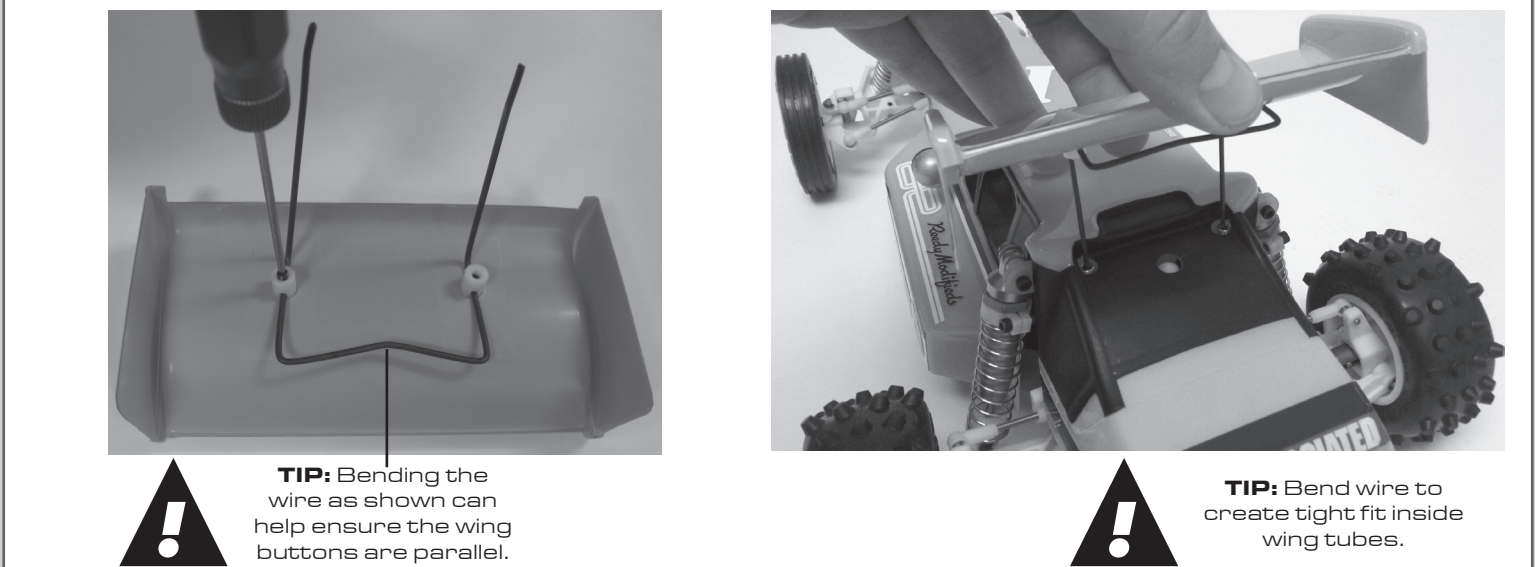
:: Wheels / Tires and Body - Bag J - Step 6



:: Wheels / Tires and Body - Bag J - Step 7



:: Wheels / Tires and Body - Bag J - Step 8



:: Notes

Blank area for notes.

FIND IT ON ASSOCIATEDELECTRICS.COM

CARS & TRUCKS



Vehicle Spare Parts

GO TO:

[AssociatedElectrics.com](#) →
[Team Associated tab](#) →
[Cars & Trucks](#) →
[Scroll to your vehicle](#) →
[Parts & Accessories link](#)

SETUP SHEETS & MANUALS



Setups and Manuals

GO TO:

[AssociatedElectrics.com](#) →
[Team Associated tab](#) →
[Manuals & Setups](#) →
[Scroll to your vehicle](#)

A-TEAM APPS



Tuning Guides & Tips

GO TO:

[AssociatedElectrics.com](#) →
[Support](#) →
[A-Team Apps](#)



Associated Electrics, Inc.

21062 Bake Parkway Lake Forest, CA 92630 USA

call: (949) 544-7500 - fax: (949) 544-7501

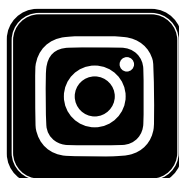
**Check out the following web sites for all of our kits, current products,
new releases, setup help, tips, and racing info!**

www.AssociatedElectrics.com

FOLLOW US ON SOCIAL MEDIA



TeamAssociated
ReedyPower
ElementRC



@TeamAssociatedRC
@ReedyPower
@Element_RC



@Team_Associated
@ReedyPower