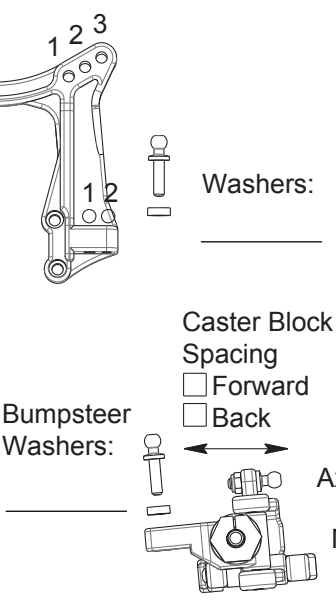


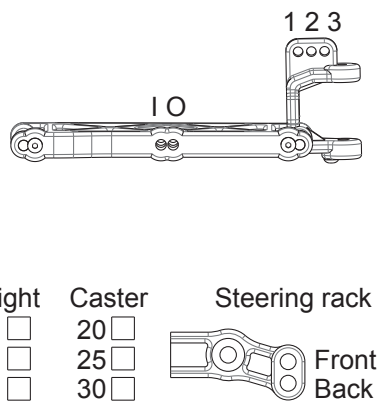
Driver: _____
 Date: _____
 Surface: _____
 Conditions: _____

Track: _____
 Event: _____
 Traction: _____
 Moisture: _____ T°: _____

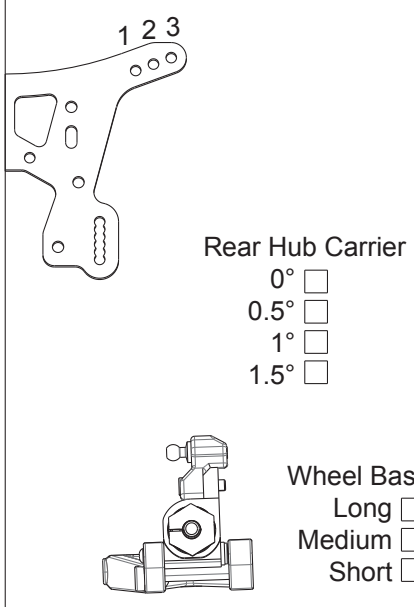
Front Suspension



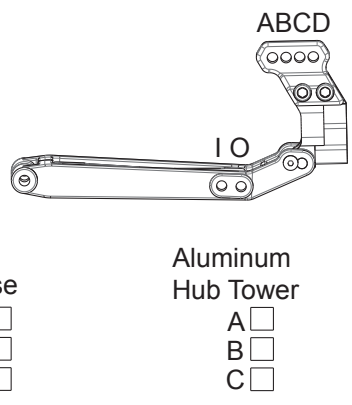
Toe: _____ °
 Camber: _____ °
 Ride Height: _____ mm



Rear Suspension



Toe: _____ °
 Camber: _____ °
 Anti-squat: _____ °
 Ride Height: _____ mm



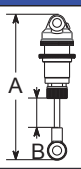
Front Shocks

Oil: _____ Piston: _____
 Spring: _____ Limiters: _____
 Length A: _____ mm Length B: _____ mm



Rear Shocks

Oil: _____ Piston: _____
 Spring: _____ Limiters: _____
 Length A: _____ mm Length B: _____ mm



Front Tires

Tire: _____ Compound: _____
 Wheel: _____ Insert: _____
 Comments: _____

Rear Tires

Tire: _____ Compound: _____
 Wheel: _____ Insert: _____
 Comments: _____

Electronics

Motor: _____
 Pinion: _____ Spur: _____
 Batteries: _____ Placement: _____
 Radio: _____ Servo: _____

Throttle/Brake EPA: _____
 Throttle/Brake Expo: _____
 ESC: _____
 ESC Setting: _____

Body & Wing

Body: _____
 Wing: _____ Angle: _____ °
 Comments: _____

Differential & Slipper

Gear Differential Fluid: _____
 Ball Differential Setting: _____
 Slipper: _____ 2 Pads 3 Pads 4 Pads

Race & Car Comments

Qualify: _____ Main: _____ Finish: _____
 Comments: _____

Weight Distribution

Bulkhead Weight: Plastic Alloy Brass
 Hinge Pins Brace: Plastic Alloy Brass
 Chassis Brace
 Options Weights: Front Posts Ackermann Under Bellcrank LiPo Holder Rear Arm Mount

