

Front Suspensions:

Camber: -1

Total Toe: 0

Ride Height: 24 mm

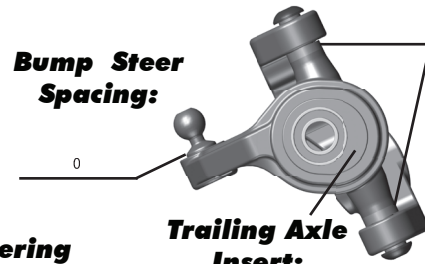
Arm Type: Flat

Tower Type: Flat

Caster Block Insert: 5

Kick-Up Angle: 25

Notes: _____



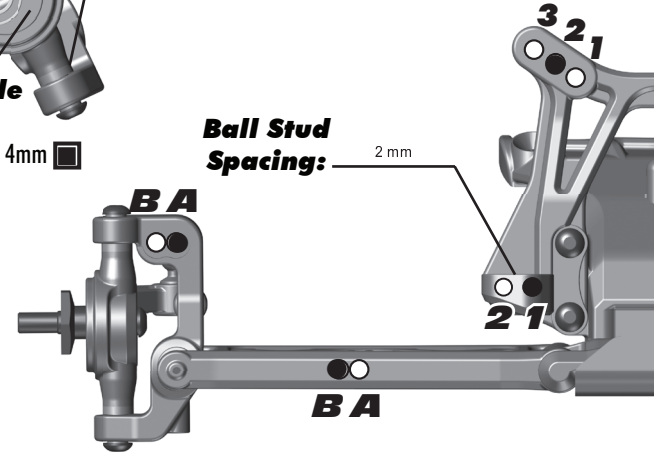
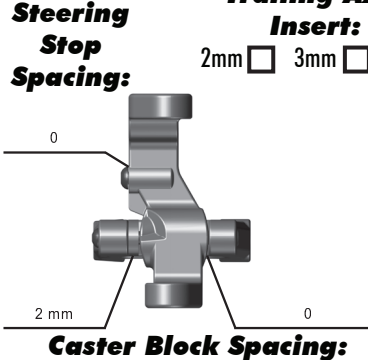
Axle Height:

Up

Middle

Down

Ball Stud Spacing: 2 mm



Rear Suspension:

Camber: -1

Ride Height: 24 mm

Hub Spacing: Forward Middle Back

Notes: _____

Anti Roll Bar:

None

Black (1.2mm)

Silver (1.3mm)

Gold (1.4mm)

Rear Hub Link Setting:

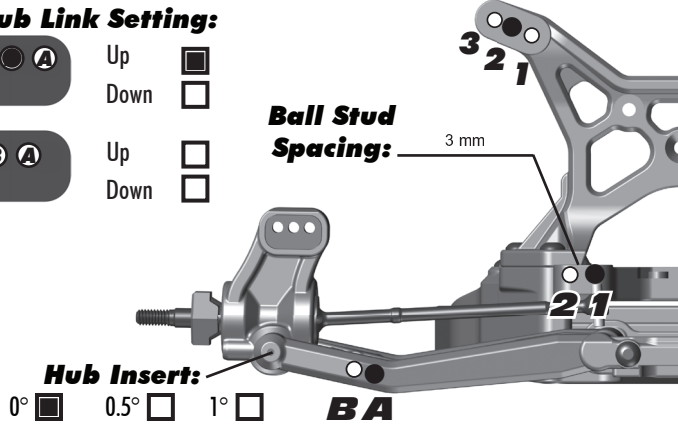
A Up Down

B Up Down

Arm Mount: 3

Inboard Toe: 3

Anti-Squat: 2



Electronics:

Radio: _____ **Servo:** XP 1015

EPA: Throttle: 100 % **Brake:** 80 %

ESC: Reedy

ESC Settings: N/A

Motor: Reedy Sonic Mach2

Wind: 8.5 **Timing:** 20°

Pinion: 23 **Spur:** 81

Battery: Reedy SQ #314

Battery Position: Forward

Drivetrain:

Differential:

Ball:

Setting: Standard

Gear:

Oil: _____

Slipper Clutch:

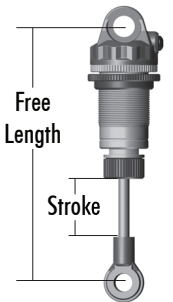
Type: Associated

of Pads: 2

Notes: _____

Shocks:

	Front	Rear
Piston:	2 x 1.6	2 x 1.6
Oil:	32 wt	30 wt
Spring:	Green	White
Limiters:	2	2
Cup Offset:	5 mm	5 mm
Stroke:	20 mm	26.5 mm
Free Length:	N/A	N/A
Notes:	FT Low Friction X-Ring (#91493)	



Track Info:

Size: Small Medium Large Extra Large

Surfaces: Dirt Carpet Astroturf Multi Surface

Traction: Low Medium High Very High

Moisture: Dry Damp Wet

Condition: Indoor Outdoor Dusty Hard Packed

Bumpy Grooved Smooth Loamy

Temperature: Ambient: 70 Track: 70

Notes: _____

Tires:

Tires (F/R): N/A / N/A

Compound (F/R): N/A / N/A

Insert (F/R): N/A / N/A

Wheel (F/R): Associated Hex / Associated Hex

Notes: _____

Body & Wing:

Body: Associated B5

Wing: Associated B5

Wing Angle: 0° 3° 6°

Notes: _____

Race Results:

Qualify: _____ **Main:** _____

Finish: _____ **TQ:**

Best Lap Time: _____

Vehicle Comments:

Speed control and receiver mounted on chassis; Titanium turnbuckles (#1282); Aluminum clamping rear hex (#91442);

Total Vehicle Weight: 1580g