

Front Suspensions:

Camber: -1

Total Toe: 0

Ride Height: 24 mm

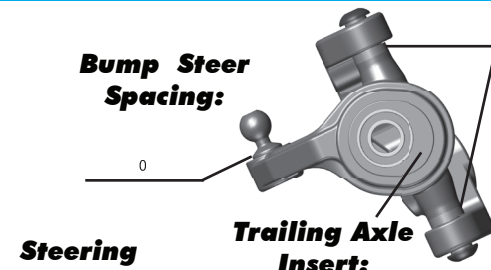
Arm Type: Flat, Standard Composite

Tower Type: Flat, Standard Composite

Caster Block Insert: 5

Kick-Up Angle: 25

Notes: Plastic front pin brace; Plastic shock caps; Standard composite caster blocks and spindles



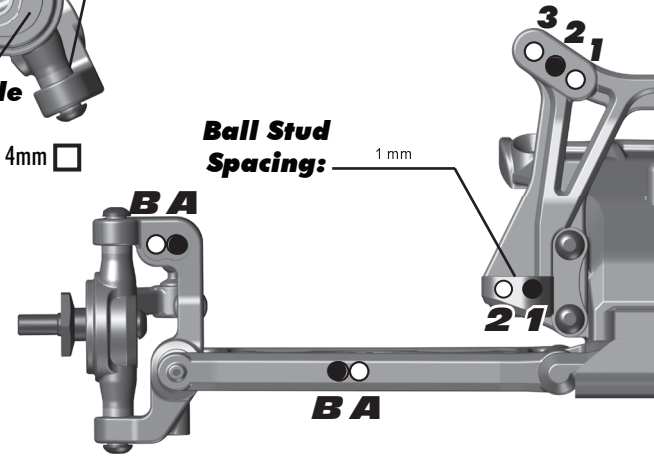
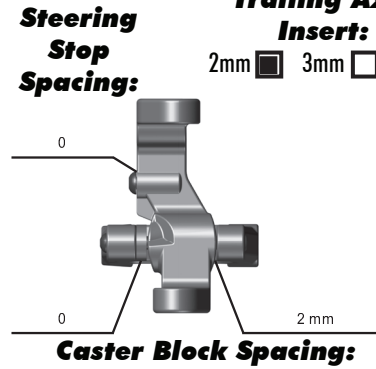
Axle Height:

Up

Middle

Down

Ball Stud Spacing: 1 mm



Rear Suspension:

Camber: -1

Ride Height: 24 MM

Hub Spacing: Forward Middle Back

Notes: Standard composite arms, hubs, tower & u-brace;

Anti Roll Bar:

None

Black (1.2mm)

Silver (1.3mm)

Gold (1.4mm)

Rear Hub Link Setting:

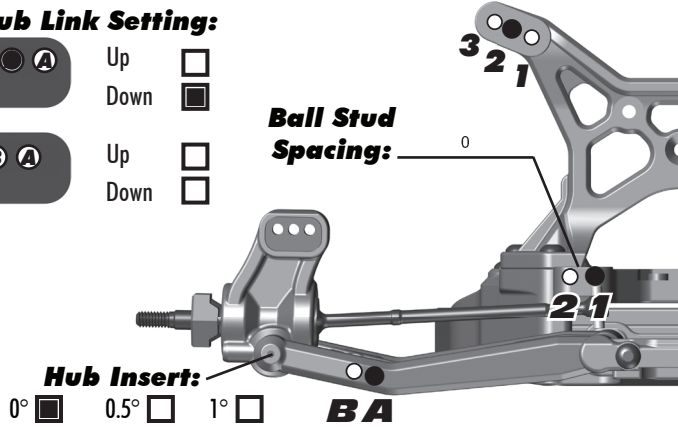
A Up Down

B Up Down

Arm Mount: 3

Inboard Toe: 3

Anti-Squat: 2



Electronics:

Radio: Airtronics M12 **Servo:** Sanwa 94661

EPA: Throttle: 100 % **Brake:** 88 %

ESC: LRP Flow Works Team

ESC Settings: v3.3 - 5/3/3/0/3

Motor: Reedy Sonic Mach2

Wind: 8.0 **Timing:** 5

Pinion: 22 **Spur:** 78

Battery: Reedy SQ #314

Battery Position: Back

Drivetrain:

Differential:

Ball:

Setting: Standard

Gear:

Oil: _____

Slipper Clutch:

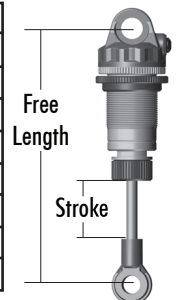
Type: Avid Triad

of Pads: 3 White

Notes: _____

Shocks:

	Front	Rear
Piston:	3 x 1.4 Flat	3 x 1.4 Flat
Oil:	35 wt	32 wt
Spring:	Green	Green
Limiters:	1	1
Cup Offset:	5mm	5mm
Stroke:	20.5 mm	27.3 mm
Free Length:		
Notes:	Red O-Rings	



Track Info:

Size: Small Medium Large Extra Large

Surfaces: Dirt Carpet Astroturf Multi Surface

Traction: Low Medium High Very High

Moisture: Dry Damp Wet

Condition: Indoor Outdoor Dusty Hard Packed Bumpy Grooved Smooth Loamy

Temperature: Ambient: _____ **Track:** 50 F

Notes: _____

Tires:

Tires (F/R): JConcepts Dirt Webs / JConcepts Dirt Webs

Compound (F/R): Green / Green

Insert (F/R): AKA / AKA

Wheel (F/R): Associated Hex / Associated Hex

Notes: _____

Body & Wing:

Body: Associated B5

Wing: JConcepts High Clearance 6.5" (Wing lip cut to 2 lines)

Wing Angle: 0° 3° 6°

Notes: _____

Race Results:

Qualify: 1 **Main:** _____

Finish: _____ **TQ:**

Best Lap Time: 13.9

Vehicle Comments:

-25% Throttle Expo; Plastic steering rack;

Total Vehicle Weight: 1583g